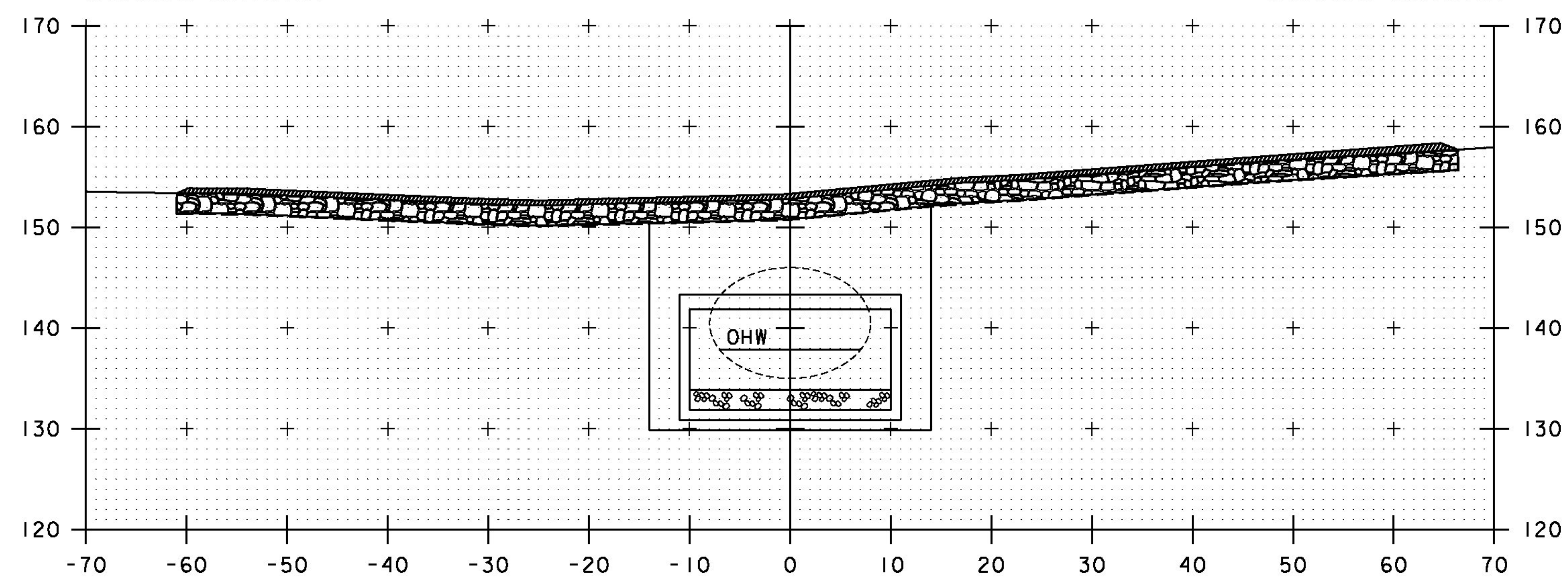


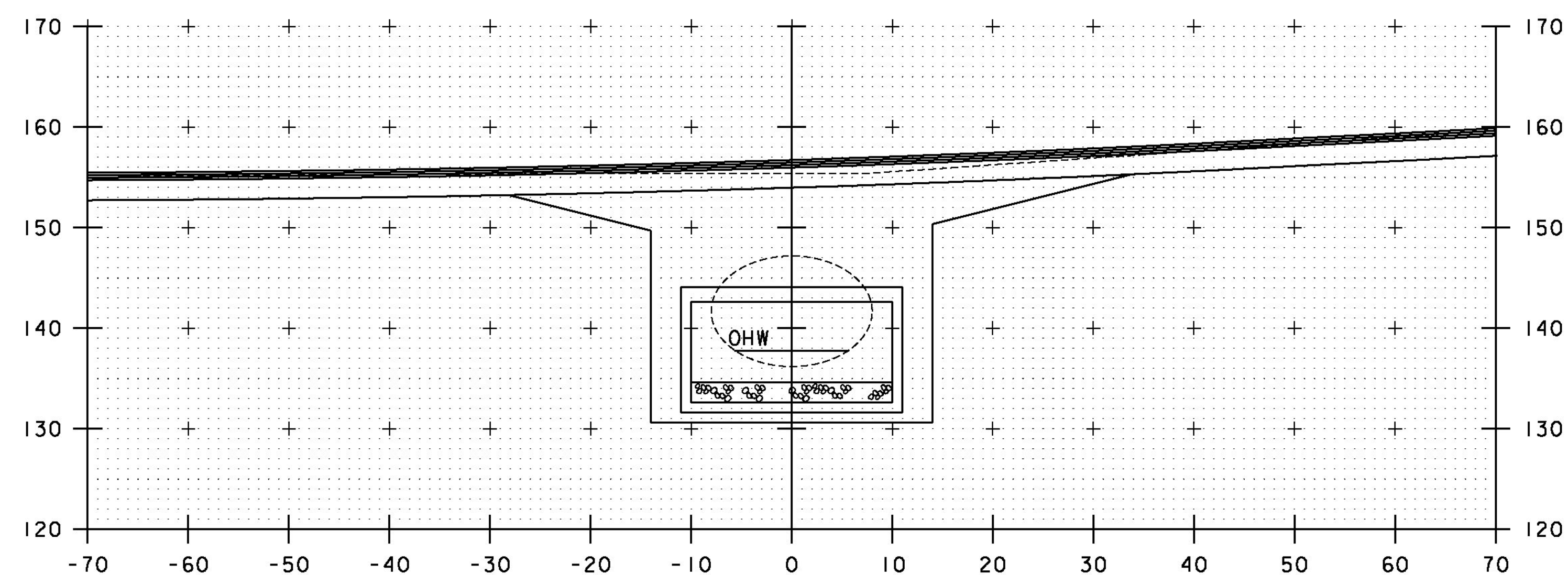
STA. 101+45 LT
 END GEOTEXTILE UNDER STONE FILL
 STONE FILL, TYPE II
 GRUBBING MATERIAL

101+50

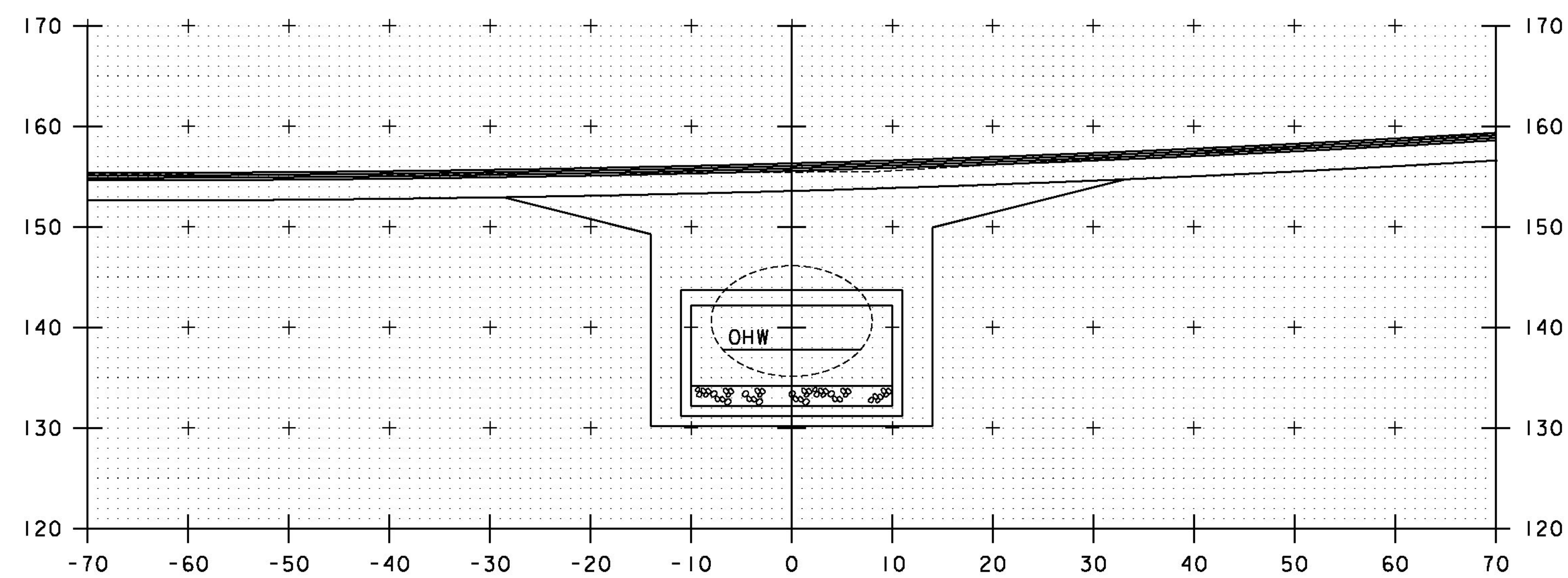
STA. 101+45 RT
 END GEOTEXTILE UNDER STONE FILL
 STONE FILL, TYPE II
 GRUBBING MATERIAL



101+40



101+70



101+60

STA. 101+40 TO STA. 101+70

PROJECT NAME: BRIDPORT
 PROJECT NUMBER: STP CULV(29)

FILE NAME: zllc264xs_br2.dgn
 PROJECT LEADER: M. CHENETTE
 DESIGNED BY: J. HUNGERFORD
 CHANNEL CROSS SECTIONS - CXS2 - BR2

PLOT DATE: 8/22/2014
 DRAWN BY: L. BUXTON
 CHECKED BY: M. CHENETTE
 SHEET 29 OF 57

