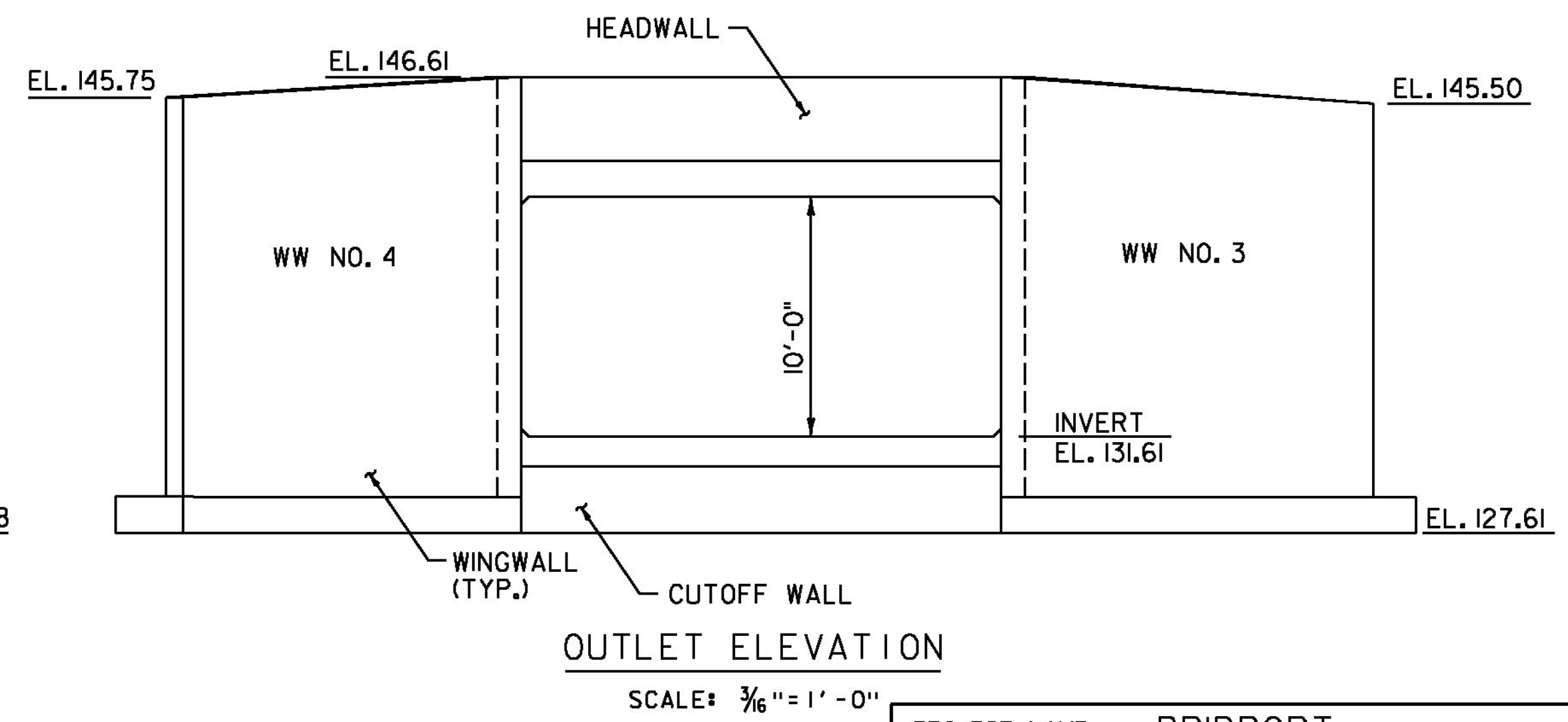
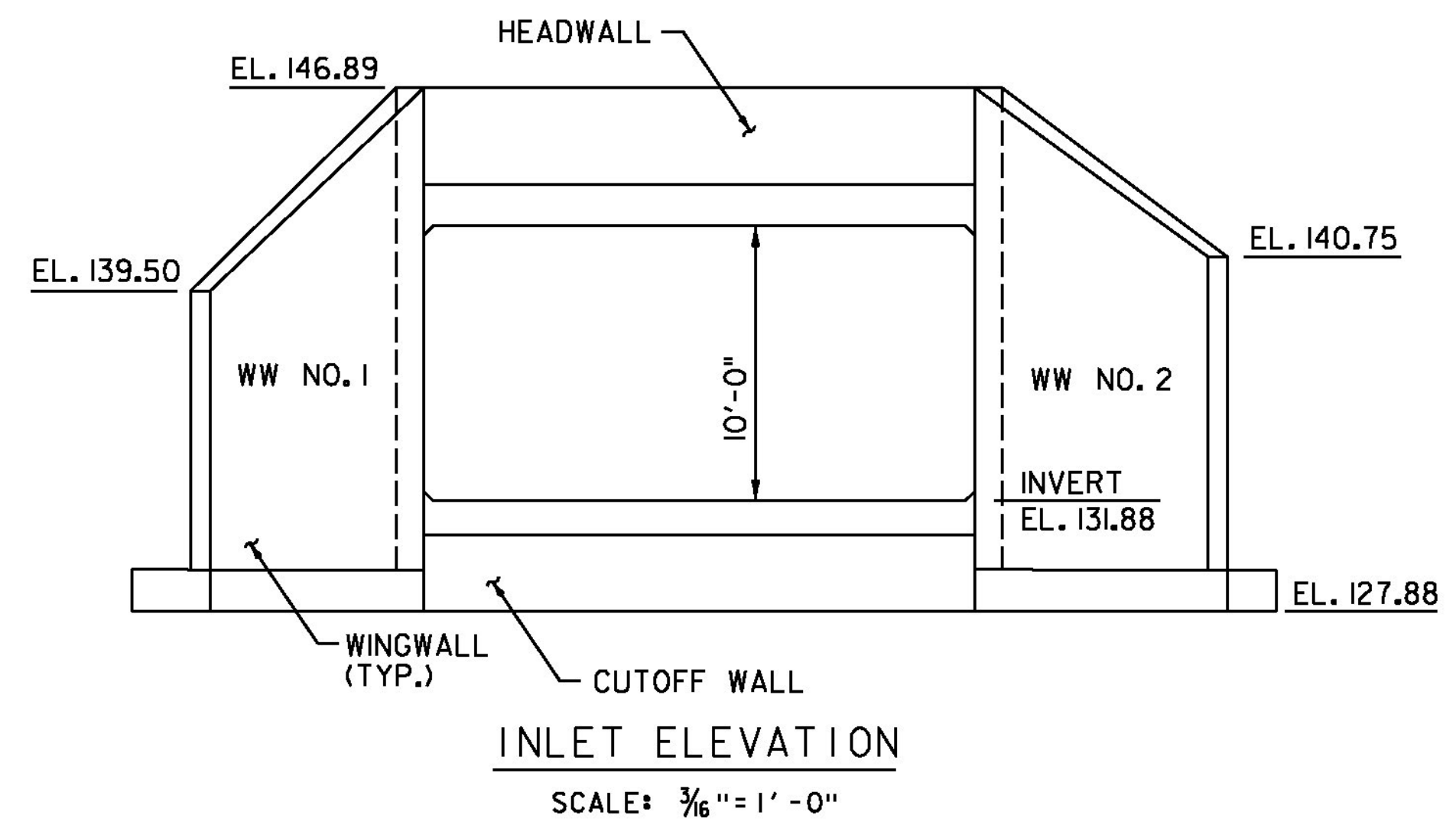
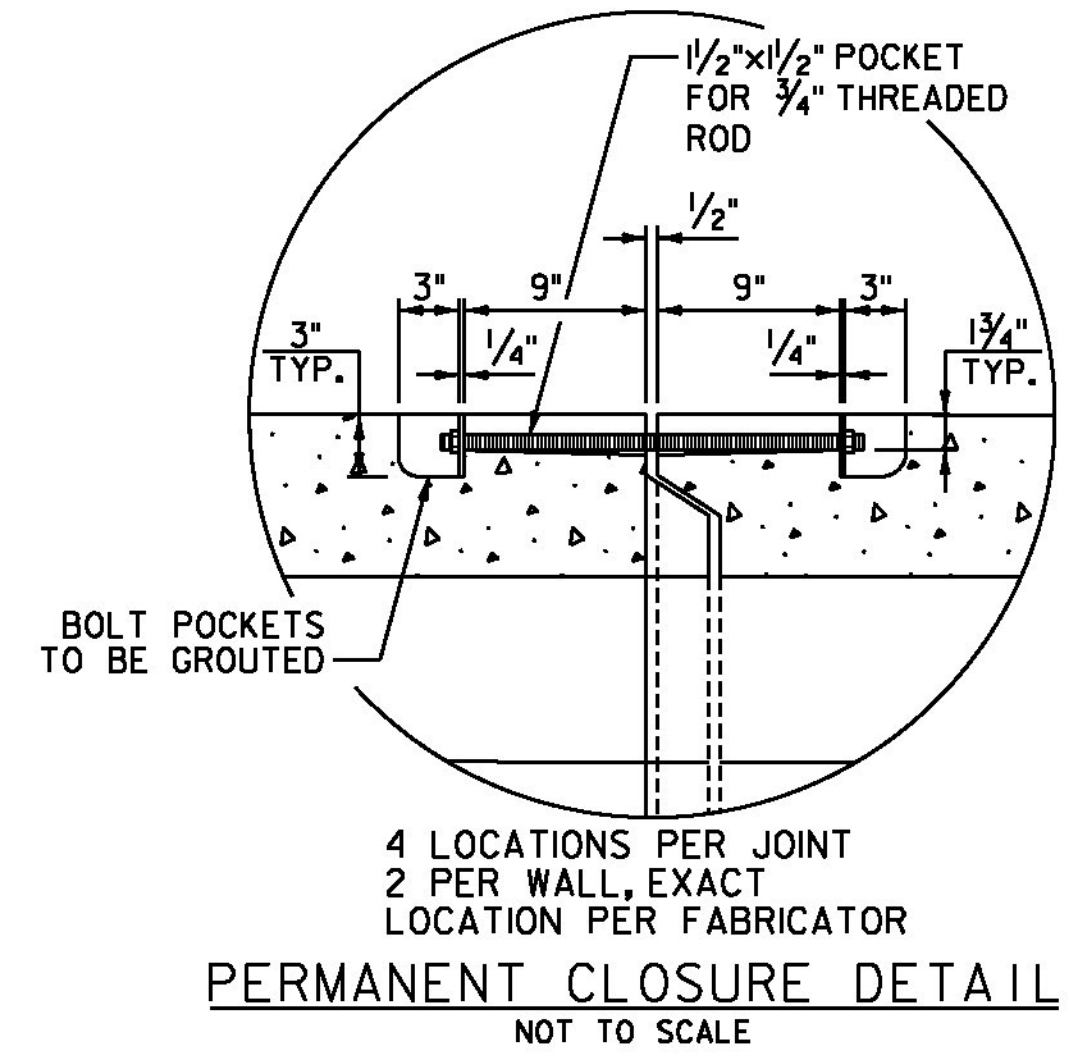


PRECAST CONCRETE STRUCTURE PLAN  
SCALE: 1/4" = 1'-0"

NOTES:  
 1. ANCHOR TYPE WALLS SHOWN, OTHER APPROVED WALL SYSTEM MAY BE USED, SEE SPECIAL PROVISIONS.  
 2. FOR PURPOSES OF ESTIMATING EARTHWORK QUANTITIES, THE LIMITS OF STRUCTURE EXCAVATION HAVE BEEN ASSUMED AS SHOWN ABOVE. ONLY THE EXCAVATION INCLUDED WITHIN THESE LIMITS SHALL BE PAID FOR UNDER ITEM 204.25, "STRUCTURE EXCAVATION". THE CONTRACTOR SHALL DETERMINE THE ACTUAL LIMITS OF STRUCTURE EXCAVATION.

WINGWALL EARTHWORK SECTION  
NOT TO SCALE



PROJECT NAME:	BRIDPORT
PROJECT NUMBER:	STP CULV(29)
FILE NAME:	zllc264strpl.br2.dgn
PROJECT LEADER:	M. CHENETTE
DESIGNED BY:	J. HUNGERFORD
STRUCTURAL PLAN AND DETAILS - BR2	
PLOT DATE:	8/22/2014
DRAWN BY:	L. BUXTON
CHECKED BY:	M. CHENETTE
SHEET	17 OF 57

