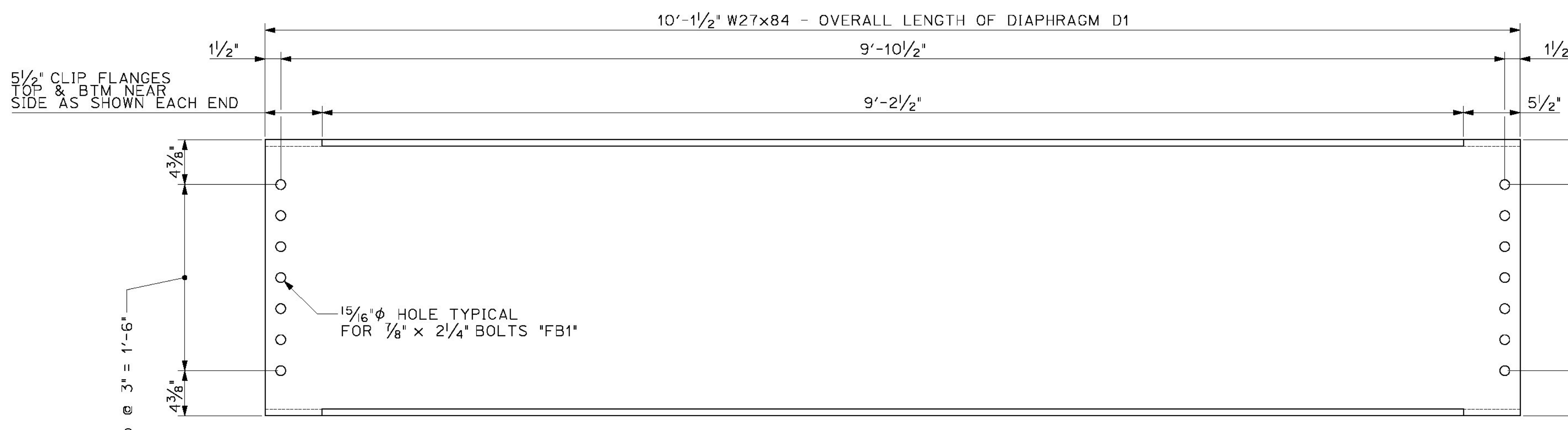
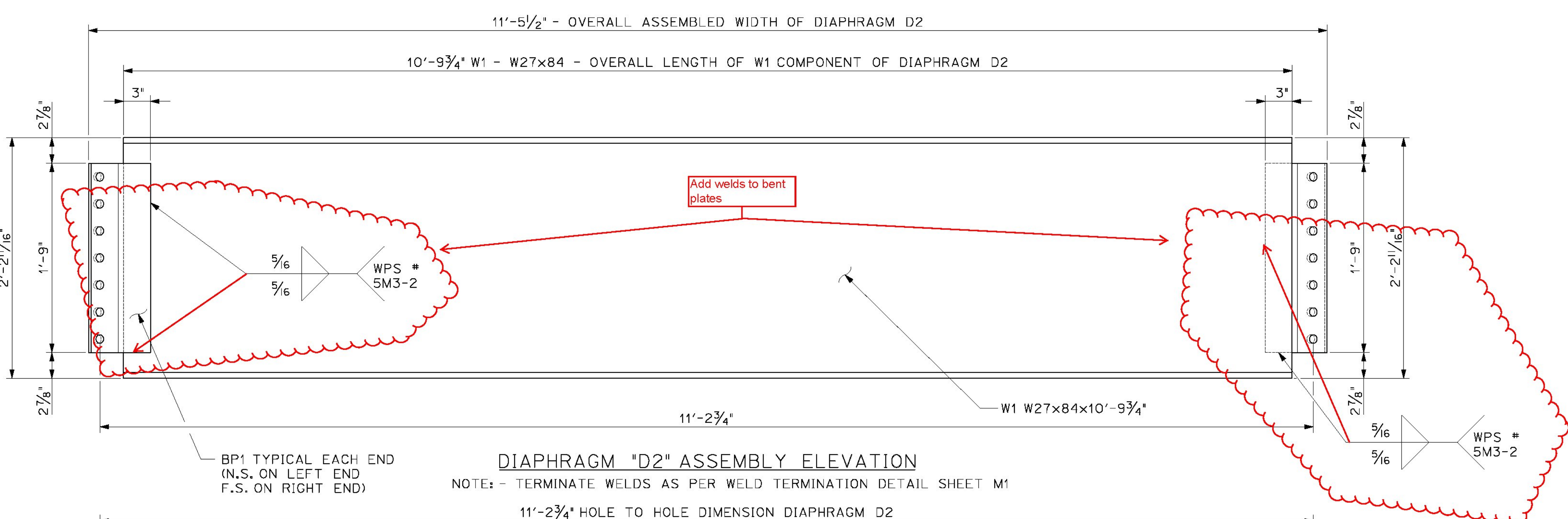


DIAPHRAGM "D1" PLAN  
(27) DIAPHRAGM D1 REQ'D

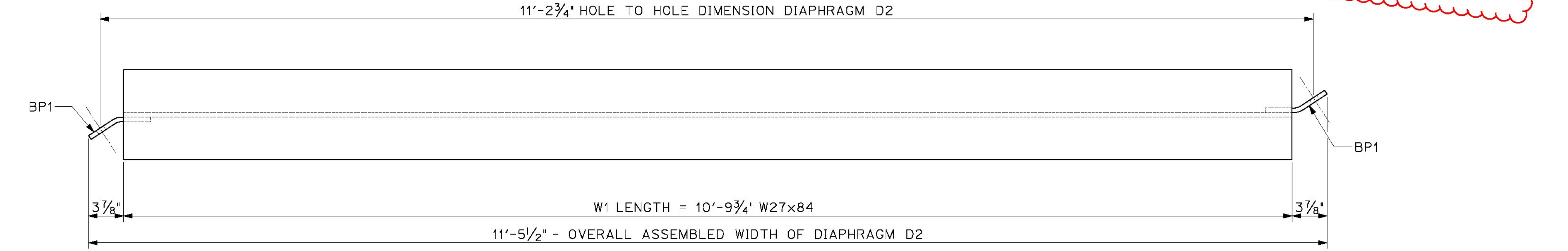


DIAPHRAGM "D1" ELEVATION  
(27) DIAPHRAGM D1 REQ'D



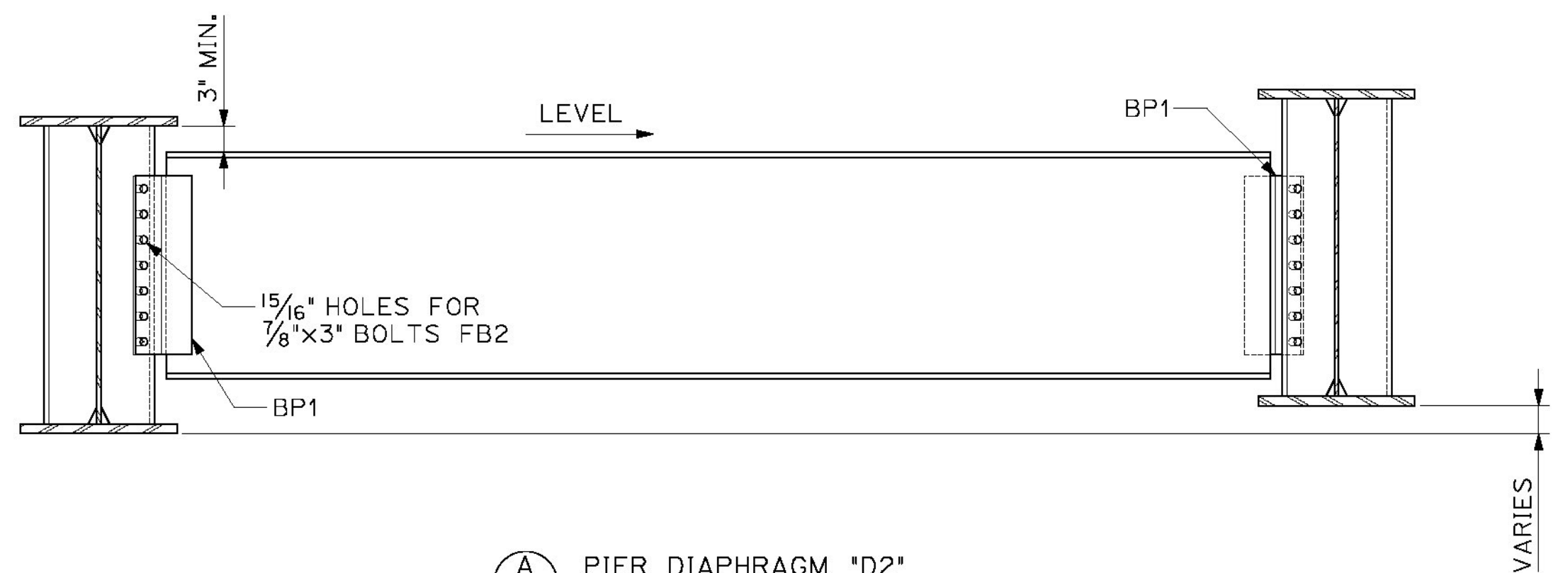
DIAPHRAGM "D2" ASSEMBLY ELEVATION

NOTE: - TERMINATE WELDS AS PER WELD TERMINATION DETAIL SHEET M1

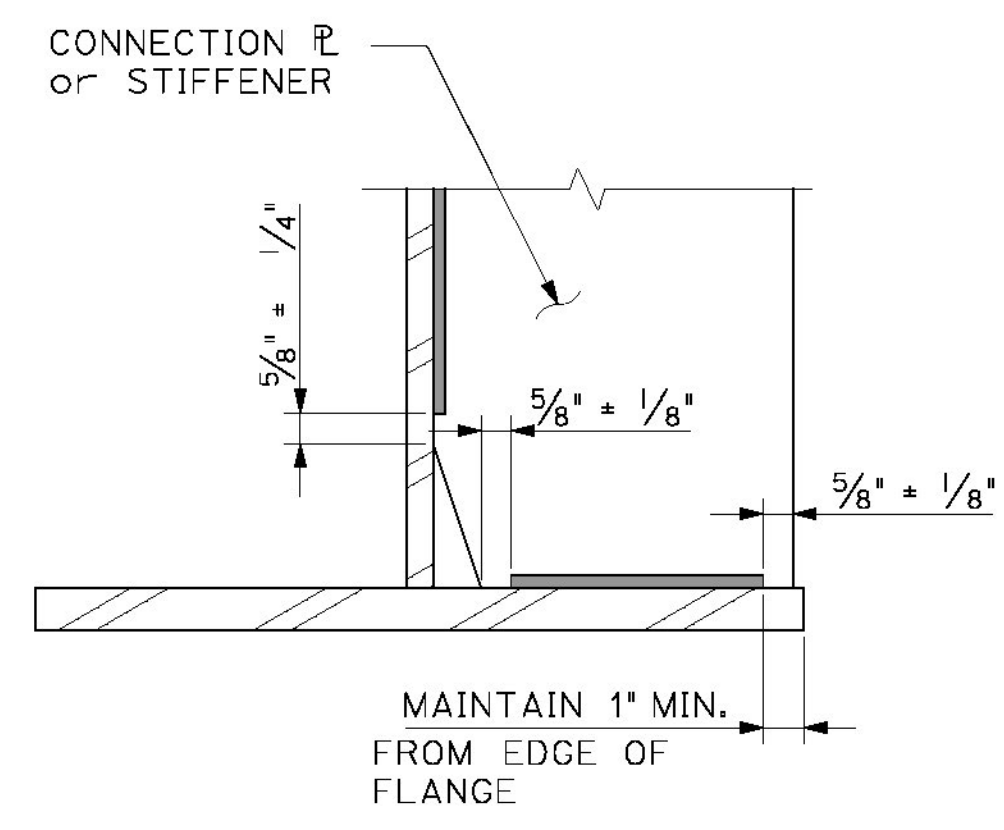


DIAPHRAGM "D2" ASSEMBLY PLAN

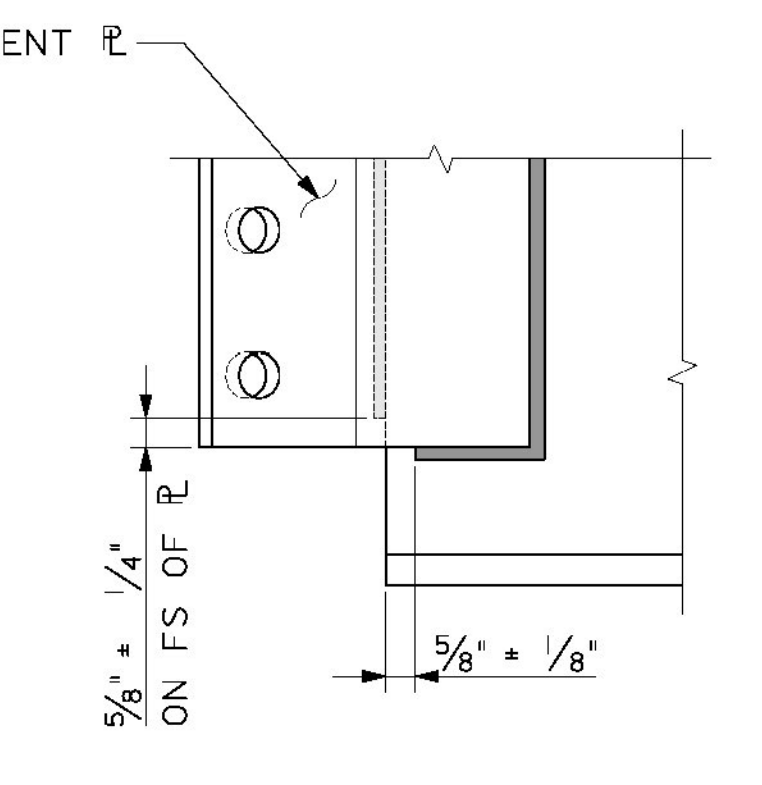
- (6) W1 REQUIRED
- (12) BP1 REQUIRED
- (6) D2 ASSEMBLIES



PIER DIAPHRAGM "D2"  
SCALE: 3/4" = 1'-0"



TYPICAL CONNECTION WELD TERMINATION DETAIL  
N.T.S.



BENT WELD TERMINATION DETAIL  
N.T.S.

BILL OF MATERIALS							
SHIP	SHIP MARK	NO. PCS.	PIECE MARK	DESCRIPTION	LENGTH	WEIGHT	MATERIAL
27	D1			W27x84 INT. DIAPHRAGMS	10'-1 1/2"	900#	
6	D2			W27x84 PIER DIAPHRAGMS	11'-5 1/2"	1000#	
		6	W1	W27x84	10'-9 3/4"	910#	
		12	BP1	SEE SHT M1 (WELD TO W1)	21"	25#	

FINISH	SSPC SP-10		
MATERIAL	AASHTO M270 (ASTM A709) GR. 50W		
HOLES			
ELECTRODES	PER WELD PROCEDURE		
WELDS	PER WELD PROCEDURE		
SURFACE PREP	1	FEB 2015	correct l.b. ETC
	NO	DATE	DESCRIPTION BY

**ARC**  
ENTERPRISES, INC.

**ADVANCED RESOURCES & CONST.**  
**ENTERPRISES, INCORPORATED**

P.O. BOX 120 KINGFIELD, ME. 04947  
PHONE: (207) 265-2646 - FAX: (207) 265-4054

PROJECT NO.  
**14-178**

DWG. NO.  
**M2**

DRAFTER	ETC	<b>MISC. DETAILS - DIAPHRAGMS</b>	<b>VT Rte 121 over Saxtons River</b> <b>Rockingham Vermont VTRANS - BRF 0126(12)</b>
DATE	FEB 2015		
CHECKED	GMM	<b>Cold River Bridges, LLC</b>	
DATE	FEB 2015		