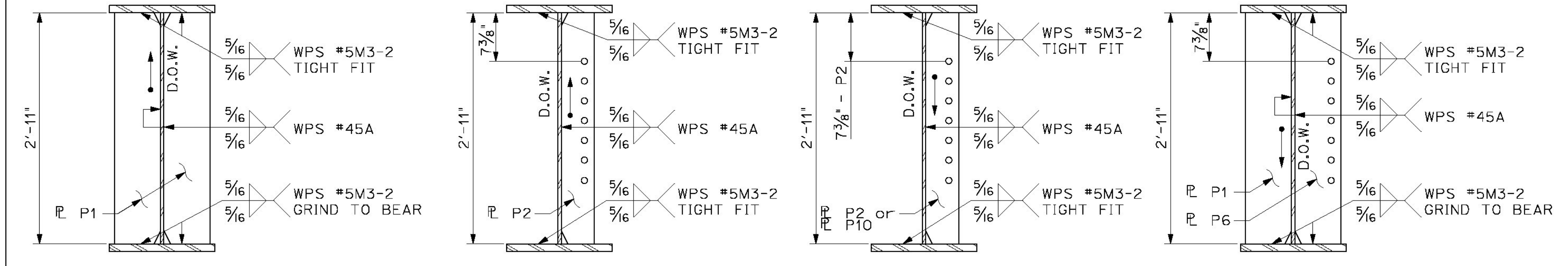


THE TWO CAMBER DIMENSIONS SHOWN REPRESENT THE FOLLOWING:
 TOP DIMENSION - TOTAL CAMBER IN FINISHED BEAM IN A NO-LOAD POSITION
 BTM. DIMENSION - TOTAL CAMBER OF WEB @ TIME WEB IS CUT
 ADDITIONAL CAMBER TO ACCOMMODATE FOR CAMBER THAT WILL BE LOST DURING FABRICATION



A DIMENSIONAL SECTION SCALE: 1\"/>

1 DIMENSIONAL PLANS & ELEVATIONS - GIRDER G4A SCALE: N.T.S.

BILL OF MATERIALS							
SHIP	SHIP MARK	NO. PCS.	PIECE MARK	DESCRIPTION	LENGTH	WEIGHT	MATERIAL
1	G4A			GIRDER G4A	117'-6 3/4"	22,700#	
		1	WP1	WEB PLATE 35"x1/2"	48'-4 1/16"	2,900#	CVN
		1	WP2	WEB PLATE 35"x1/2"	69'-2 7/8"	4,150#	CVN
		1	TF1	FLANGE PL 1 1/8"x18 3/8"	85'-3 1/2"	5,550#	CVN
		1	TF2	FLANGE PL 1 1/8"x16"	32'-3 1/4"	2,000#	CVN
		1	BF1	FLANGE PL 1 1/8"x18 3/8"	85'-3"	5,550#	CVN
		1	BF2	FLANGE PL 1 1/8"x16"	32'-2 7/8"	2,000#	CVN
		3	P1	SEE SHEET M1		80#	
		1	P6	SEE SHEET M1		80#	
		5	P2	SEE SHEET M1		25#	
		1	P10	SEE SHEET M1		25#	

FINISH	SSPC SP-10		
MATERIAL	AASHTO M270 (ASTM A709) GR. 50W		
HOLES			
ELECTRODES	PER WELD PROCEDURE		
WELDS	PER WELD PROCEDURE		
SURFACE PREP	1	FEB 2015	add pl P10 correct t.b. ETC
	NO	DATE	DESCRIPTION
			BY

ARC ENTERPRISES, INC.
 ADVANCED RESOURCES & CONST. ENTERPRISES, INCORPORATED
 P.O. BOX 120 KINGFIELD, ME. 04947
 PHONE: (207) 265-2646 - FAX: (207) 265-4054

DRAFTER	ETC	GIRDER G4A	PROJECT NO. 14-178
DATE	FEB 2015		
CHECKED	GMM	VT Rte 121 over Saxtons River	DWG. NO.
DATE	FEB 2015	Rockingham Vermont VTRANS - BRF 0128(12)	5
		CC: Cold River Bridges, LLC	