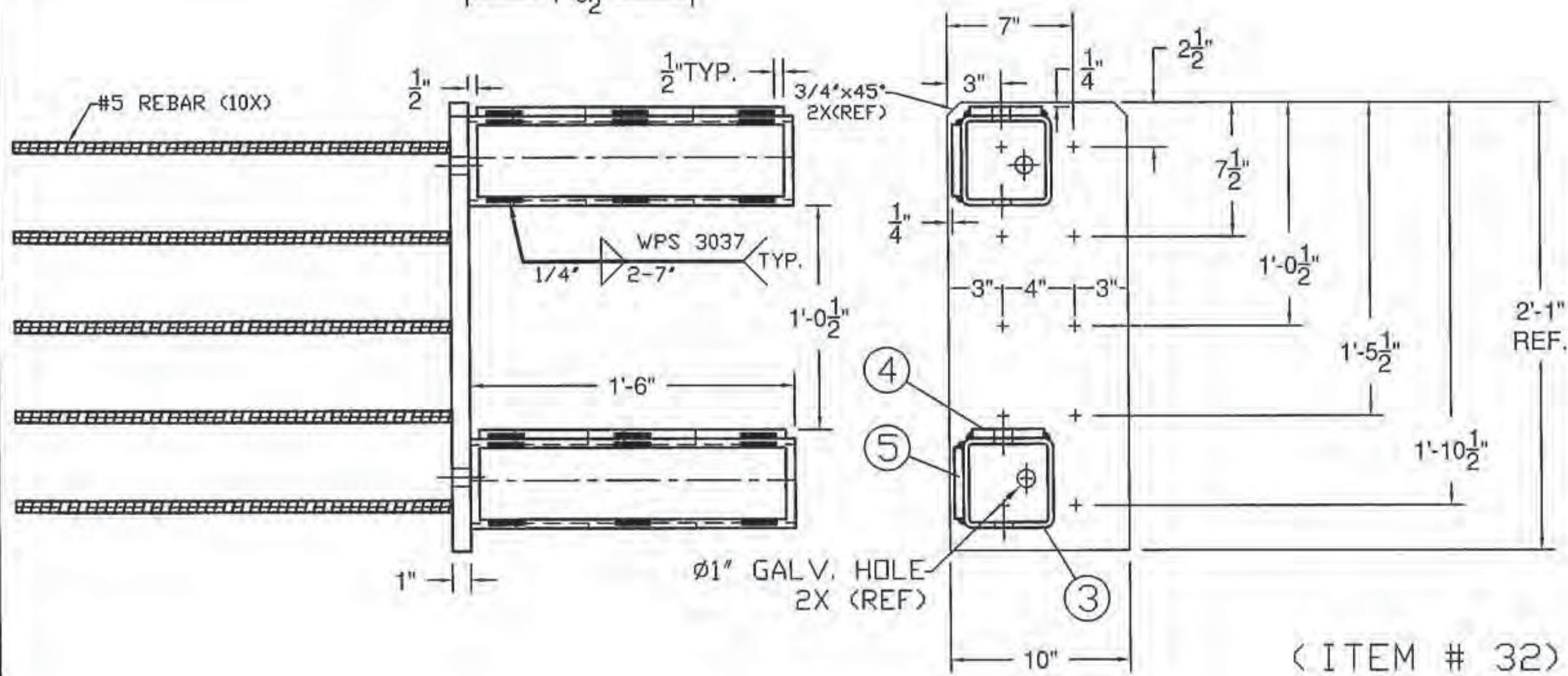
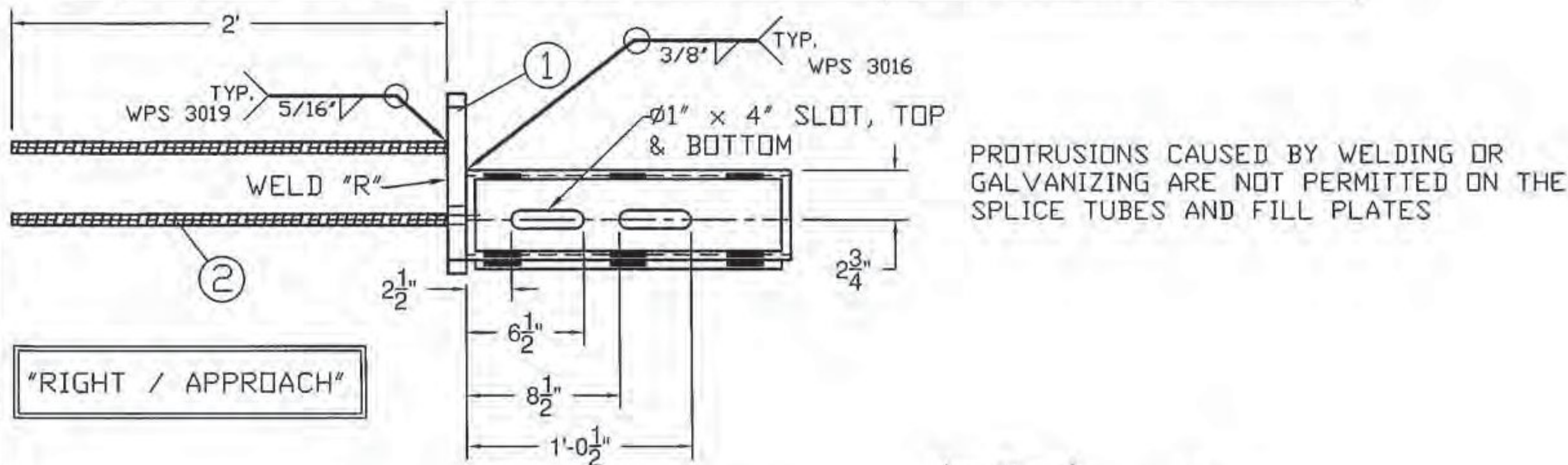
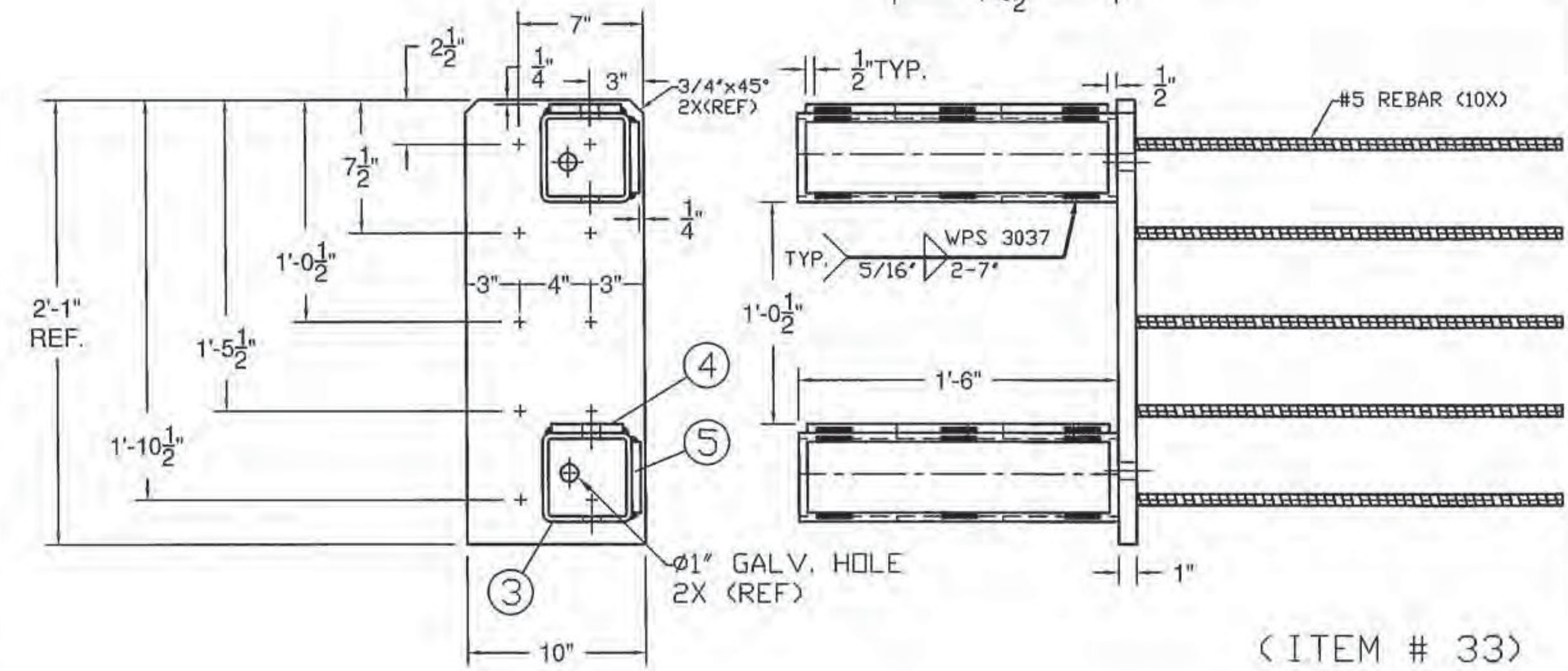
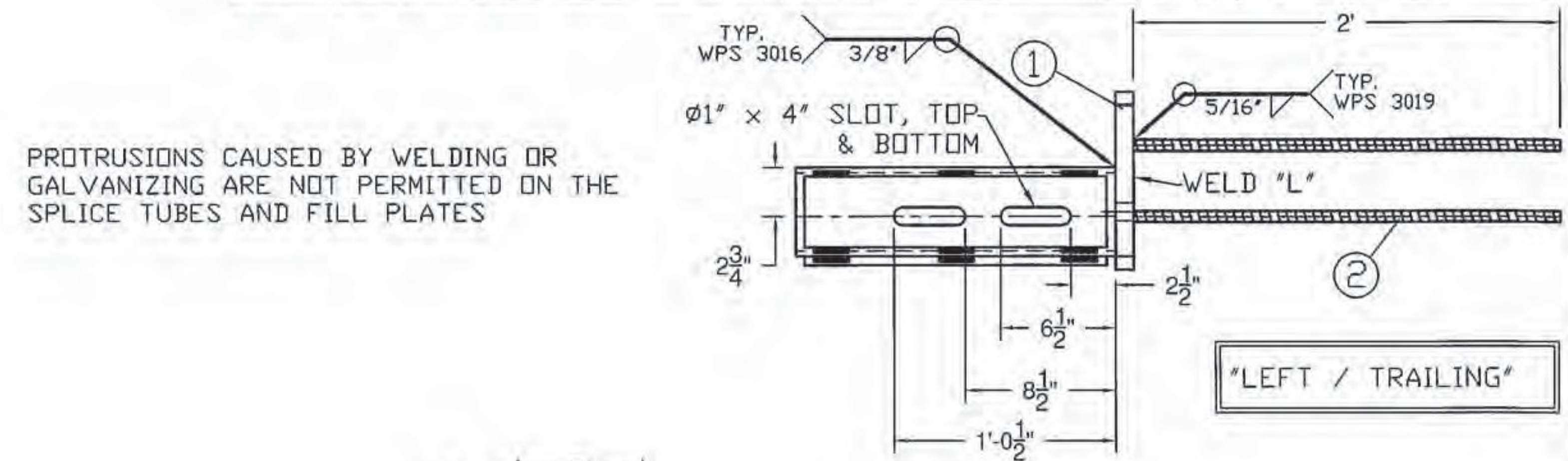


BILL OF MATERIALS			
ITEM #	QTY	DESCRIPTION	ASTM #
1	1	DBL TUBE WALL PLATE - 1' X 10' x 25'	ASTM A572 Gr. 50
2	10	RAW, $\phi 5/8"$ REBAR @ 36"	A615, Gr. 60
3	2	5' X 5' X 5/16" TUBE W/ SLOTS @ 18"	ASTM A500 Gr. B
4	2	SHIM PL 1/2" X 4" X 17" W/ SLOTS	ASTM A36(ASTM A709 Gr. 36)
5	2	SHIM PL 1/2" X 4" X 17" (W/O SLOTS)	ASTM A36(ASTM A709 Gr. 36)



BILL OF MATERIALS			
ITEM #	QTY	DESCRIPTION	ASTM #
1	1	DBL TUBE WALL PLATE - 1' X 10' x 25'	ASTM A572 Gr. 50
2	10	RAW, $\phi 5/8"$ REBAR @ 36"	A615, Gr. 60
3	2	5' X 5' X 5/16" TUBE W/ SLOTS @ 18"	ASTM A500 Gr. B
4	2	SHIM PL 1/2" X 4" X 17" W/ SLOTS	ASTM A709 Gr. 36
5	2	SHIM PL 1/2" X 4" X 17" (W/O SLOTS)	ASTM A709 Gr. 36



Vermont Agency of Transportation

**RECEIVED**

ON: December 29, 2014

and Checked for

**CONFORMANCE**

BY: TAS DATE: 01/20/2015

**T.Y. LIN INTERNATIONAL**

THE STAMPED DOCUMENTS ARE HEREBY:

- APPROVED
- APPROVED AS NOTED
- REVISE AND RESUBMIT

SEE TRANSMITTAL FOR ADDITIONAL INFORMATION AS APPLICABLE.

THIS REVIEW IS FOR GENERAL CONFORMANCE WITH DESIGN CONCEPT ONLY. ANY DEVIATION FROM THE PLANS OR SPECIFICATIONS NOT CLEARLY NOTED BY THE CONTRACTOR HAS NOT BEEN REVIEWED. REVIEW BY THE ENGINEER SHALL NOT RELIEVE THE CONTRACTOR OF THE CONTRACTUAL RESPONSIBILITY FOR ANY ERRORS OR DEVIATION FROM THE CONTRACT REQUIREMENTS.

RICK HEBERT REVIEWER 1/16/2015 DATE

ITEM #: 525.45

STRUCTURAL STEEL TO COMPLY W/ ASTM A6

TOLERANCE UNLESS OTHERWISE NOTED:  
 FRACTIONS =  $\pm 1/16"$   
 ANGLES =  $\pm 1/2"$   
 DIAMETERS =  $\pm 1/32"$

SHEET 3 OF 3

**BRIDGE RAIL DETAILS SHEET**

VT 121 (CL 2, TH 1) RURAL MAJOR COLLECTOR, BRIDGE 11R  
 ROCKINGHAM, PROJECT BR# 0126(12), TOWN OF ROCKINGHAM, WINDHAM COUNTY, VT.

R NO.	DATE	DESCRIPTION	BY	R NO.	DATE	DESCRIPTION	BY
E							
V							

DRAWN	E.P.	12/19/14
CHECKED	D.L.	12/19/14
APPROVED		
SCALE	SCHEMATIC	
DRAWING NO. PRL - ROCKINGHAM		

**ELDERLEE, INC.**  
 OAKS CORNERS, NEW YORK 14518  
 E-Mail: dlong@elderlee.com / epeek@elderlee.com  
 Tel: 315-789-6670 Fax: 315-789-6615