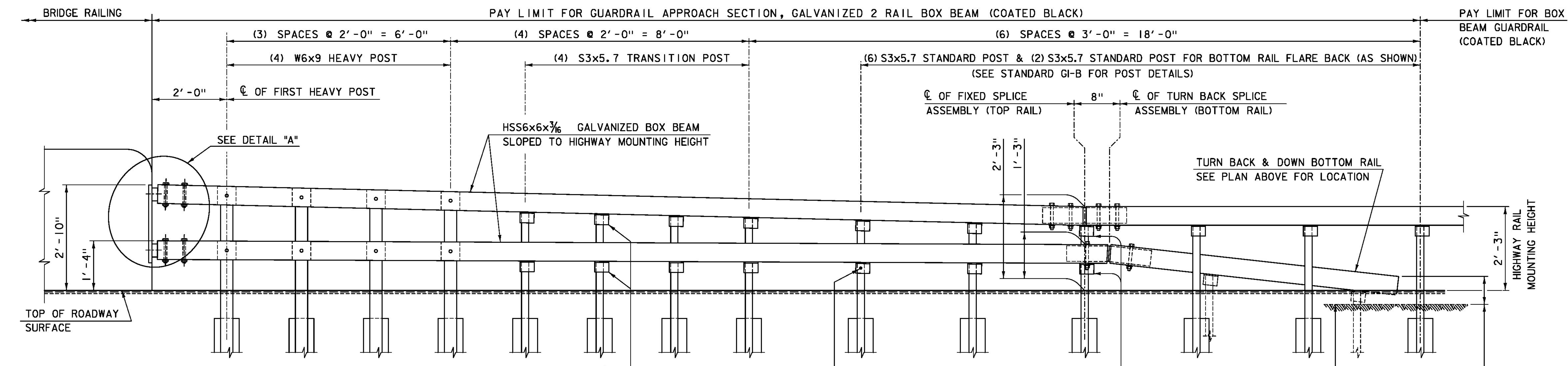
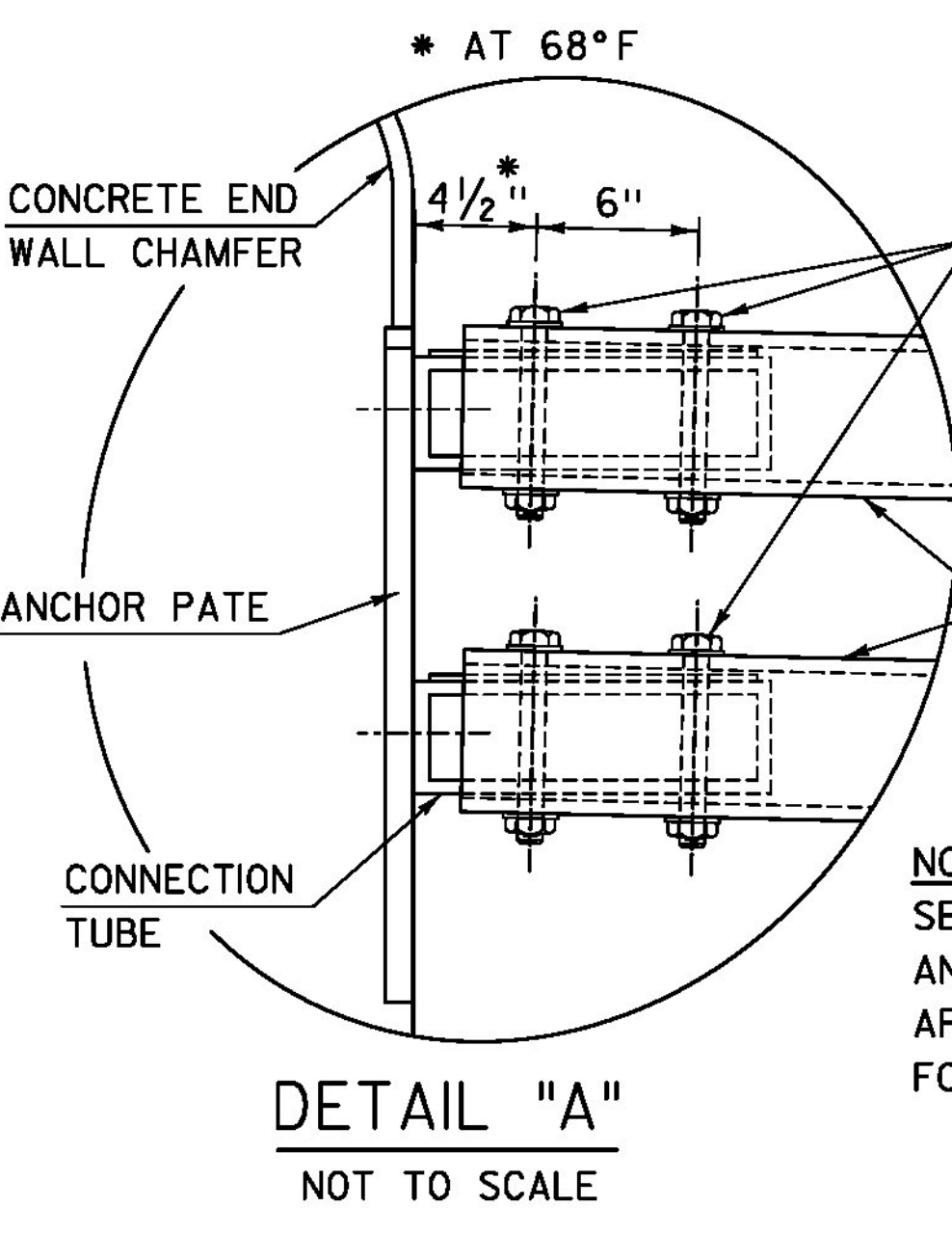


APPROACH RAILING PLAN VIEW
 NOT TO SCALE
 (NE APPROACH SHOWN, NW, SE, AND SW SIMILAR)



APPROACH RAILING ELEVATION
 NOT TO SCALE
 * LONG LEG HORIZONTAL



* AT 68°F

3/4" DIA. BOLTS, 7/2" (A325, TYPE 1) WITH STANDARD WASHERS & SPRING LOCK WASHERS. NUT TO BE FINGER TIGHT AND THE FIRST THREAD BELOW THE NUT TO BE DAMAGED A.O.B.E.

HSS6x6x3/16 GALVANIZED BOX BEAM SLOPED TO HIGHWAY MOUNTING HEIGHT

NOTE:
 SEE BRIDGE RAILING DETAILS 10F 3 FOR ANCHOR PLATE AND CONNECTION TUBE DETAILS AND SEE GUARDRAIL APPROACH AND GUARDRAIL LAYOUT DETAILS SHEET FOR DEFLECTION ANGLES OF EAST APPROACH.

- NOTES:
1. ALL STEEL COMPONENTS SHALL BE COATED BLACK IN ACCORDANCE WITH ASTM D7803 FOLLOWING GALVANIZING.
 2. FOR "FIXED SPLICE TUBE", "FIXED SPLICE BAR", "FIXED SPLICE TUBE ASSEMBLY", AND "FIXED SPLICE BAR ASSEMBLY" DETAILS, SEE STANDARD S-364C.
 3. FOR "TURN BACK SPLICE TUBE DETAIL" AND "TURN BACK SPLICE TUBE ASSEMBLY" DETAILS, SEE STANDARD S-364D.
 4. FOR "HEAVY POST DETAIL" AND "TRANSITION POST DETAIL", SEE STANDARD S-364D.
 5. FOR SE CORNER MODIFICATION DETAILS, SEE 'BRIDGE RAILING AND GUARDRAIL LAYOUT' SHEET.
 6. SEE "GUARDRAIL APPROACH AND GUARDRAIL LAYOUT DETAILS" SHEET FOR ADDITIONAL EAST APPROACH RAILING DETAILS.

TYLIN INTERNATIONAL	PROJECT NAME: ROCKINGHAM	PLOT DATE: 8/26/2014
	PROJECT NUMBER: BRF 0126(12)	DRAWN BY: D. AXTELL
	FILE NAME: z10j072bdr_rail_03.dgn	CHECKED BY: T. POU LIN
	PROJECT LEADER: R. HEBERT	SHEET 43 OF 69
	DESIGNED BY: S. KELLER	
	BRIDGE RAILING DETAILS (3 OF 3)	