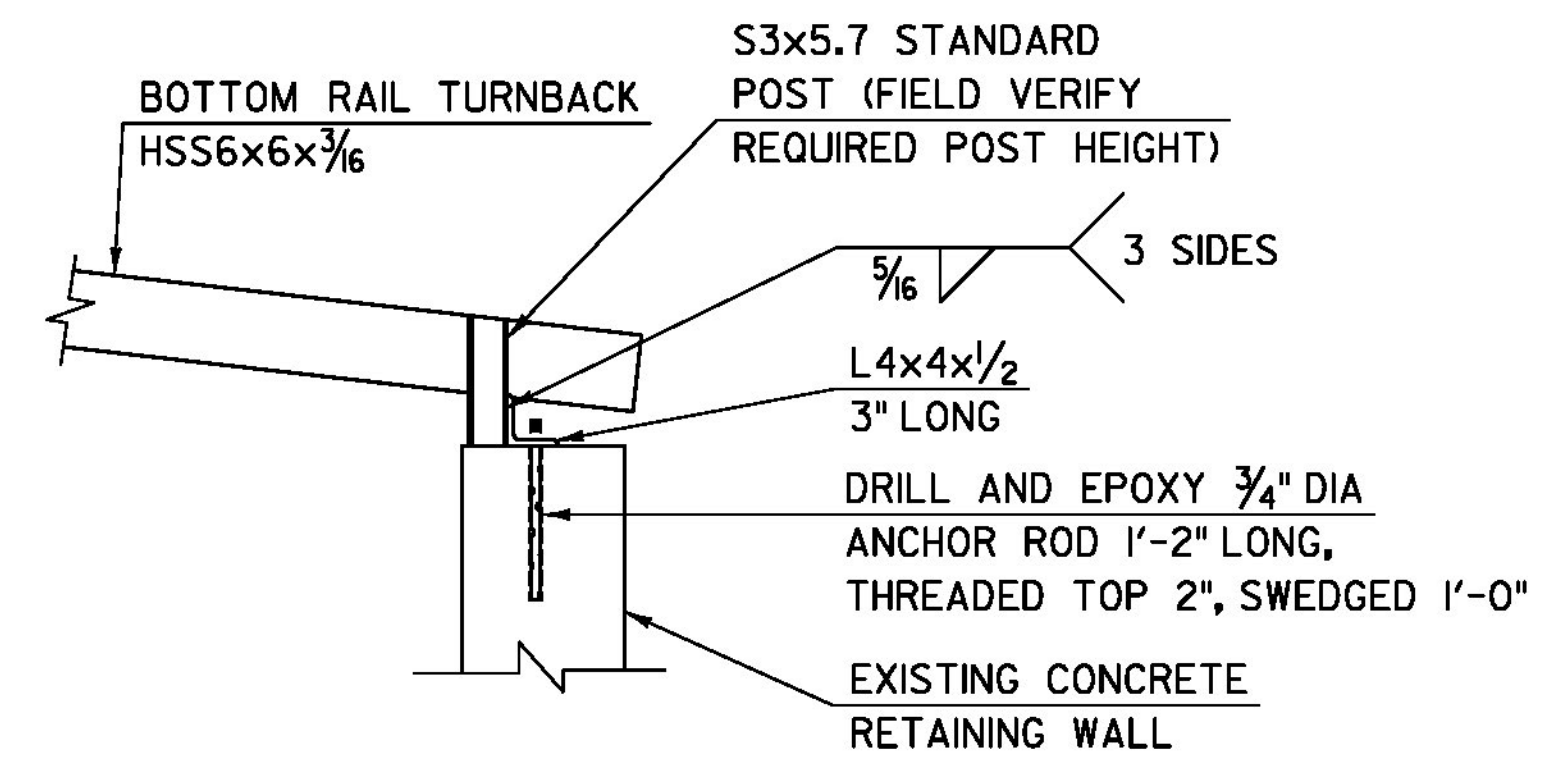


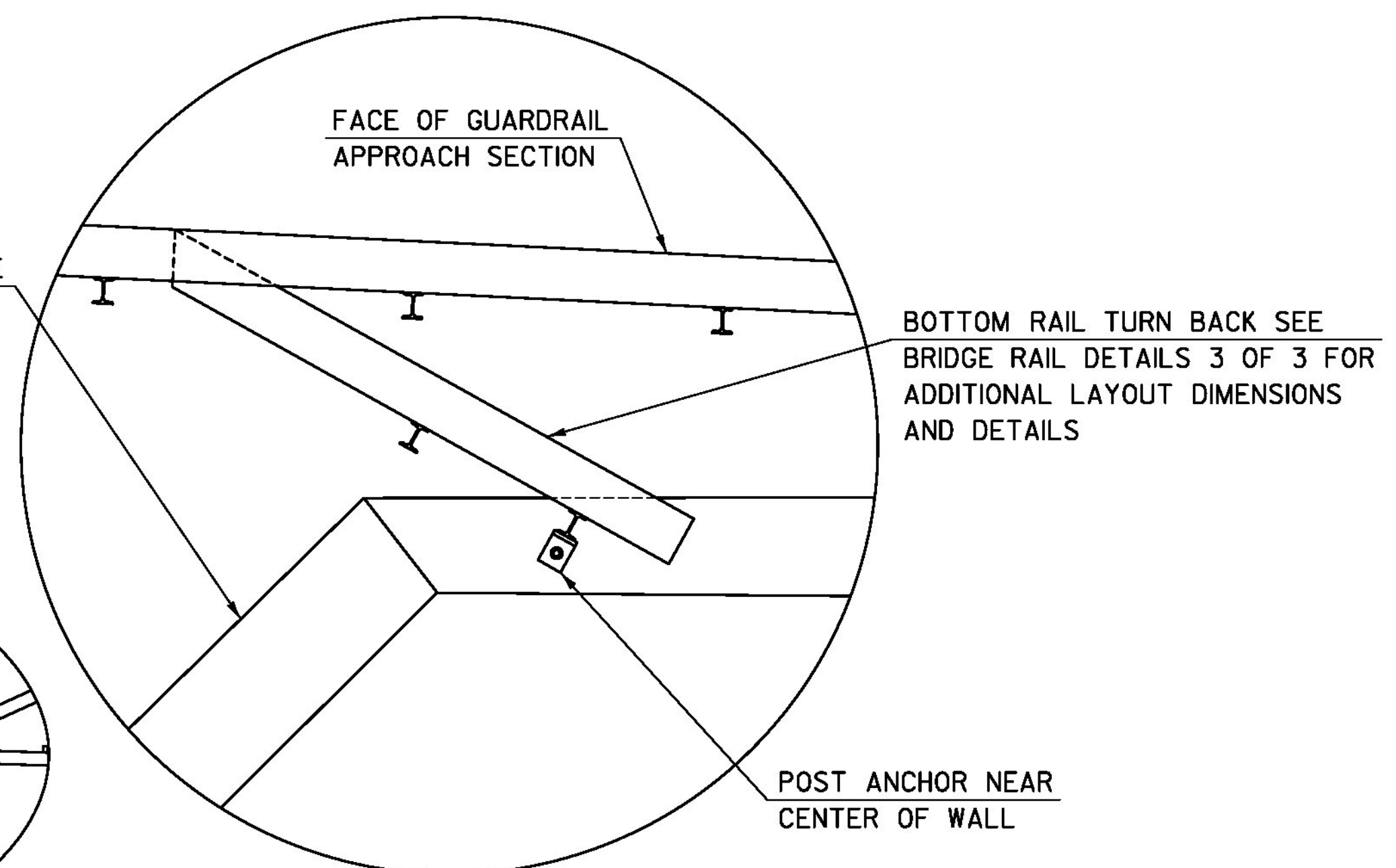
EAST APPROACH PARTIAL PLAN
SCALE: 1" = 20'-0"



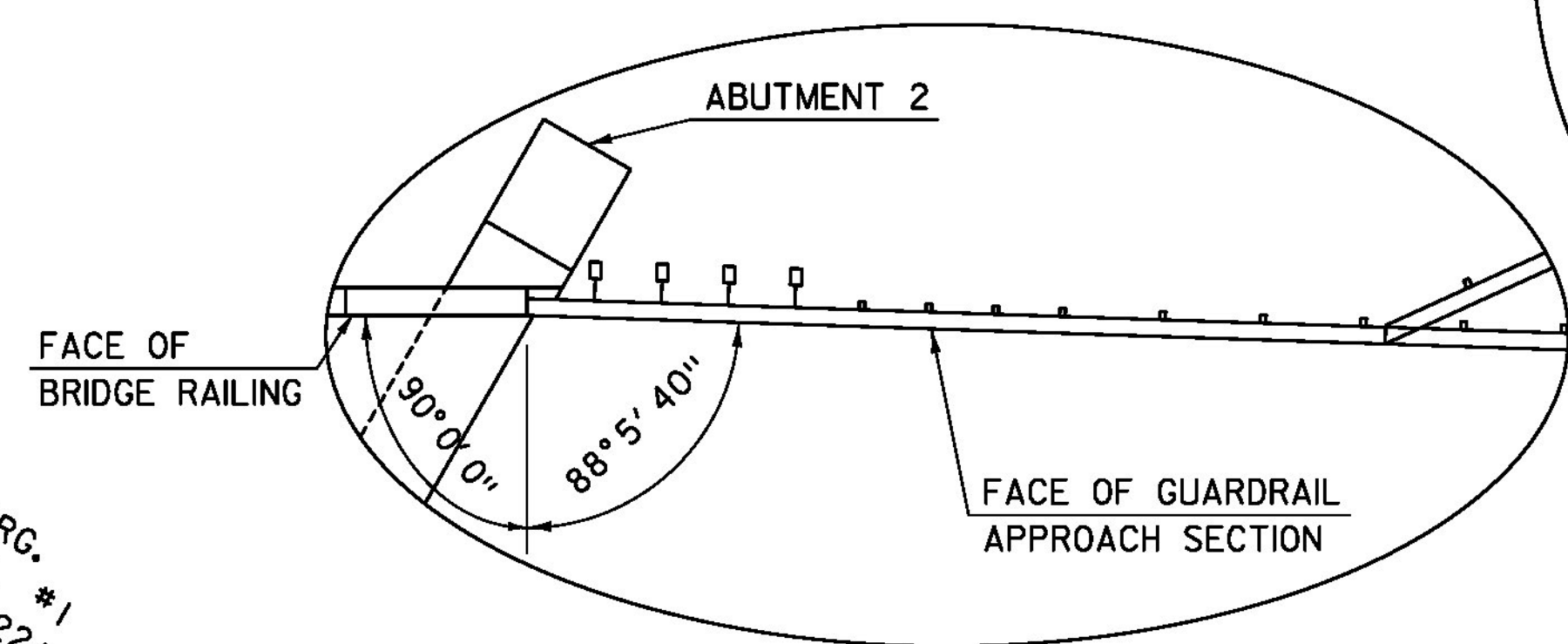
POST ANCHOR DETAIL
N.T.S.

NOTE: PAYMENT FOR POST ANCHOR SHALL BE INCLUDED IN THE UNIT PRICE BID FOR CONTRACT ITEM 621.72.

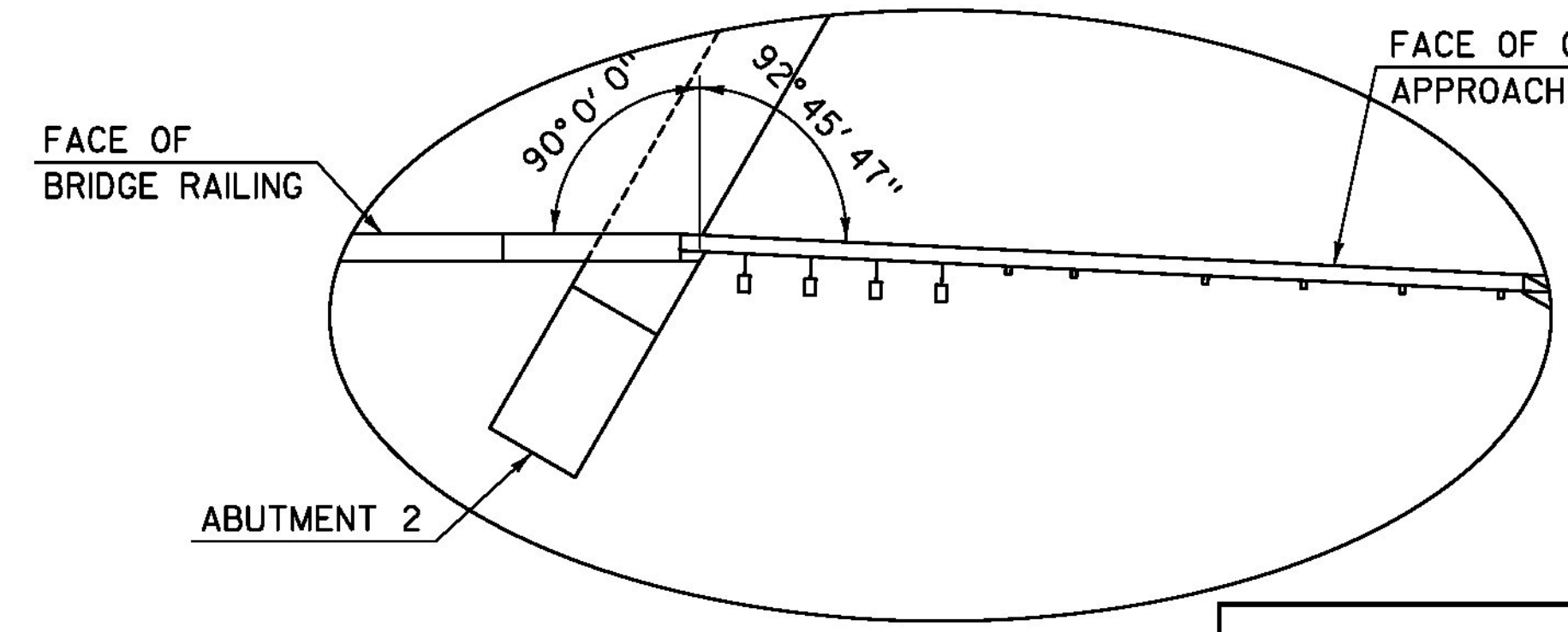
NOTE:
STATIONS AND OFFSETS GIVEN ARE MEASURED TO THE FACE OF THE BOX BEAM GUARDRAIL



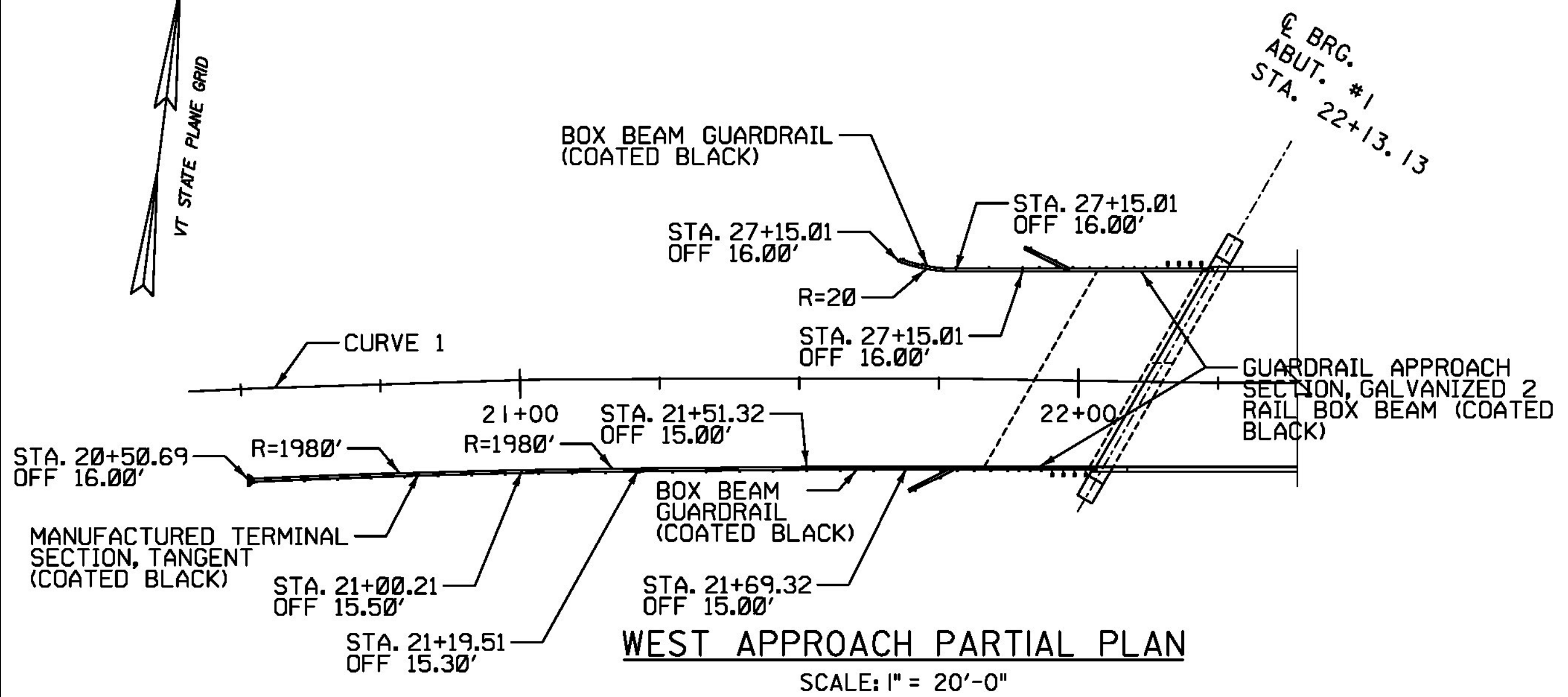
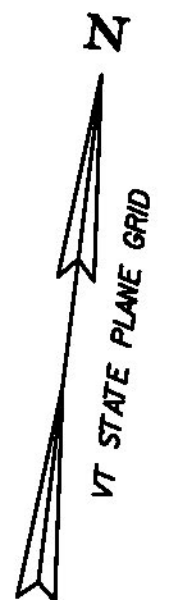
DETAIL C
N.T.S.



DETAIL A
N.T.S.



DETAIL B
N.T.S.



WEST APPROACH PARTIAL PLAN
SCALE: 1" = 20'-0"

PROJECT NAME:	ROCKINGHAM	FILE NAME:	z10j072bdr_rail_pln.dgn	PLOT DATE:	8/26/2014
PROJECT NUMBER:	BRF 0126(12)	PROJECT LEADER:	R. HEBERT	DRAWN BY:	S. KELLER
		DESIGNED BY:	S. KELLER	CHECKED BY:	D. BURHANS
		GUARDRAIL APPROACH AND GUARDRAIL LAYOUT DETAILS			SHEET 40 OF 69

TYLIN INTERNATIONAL