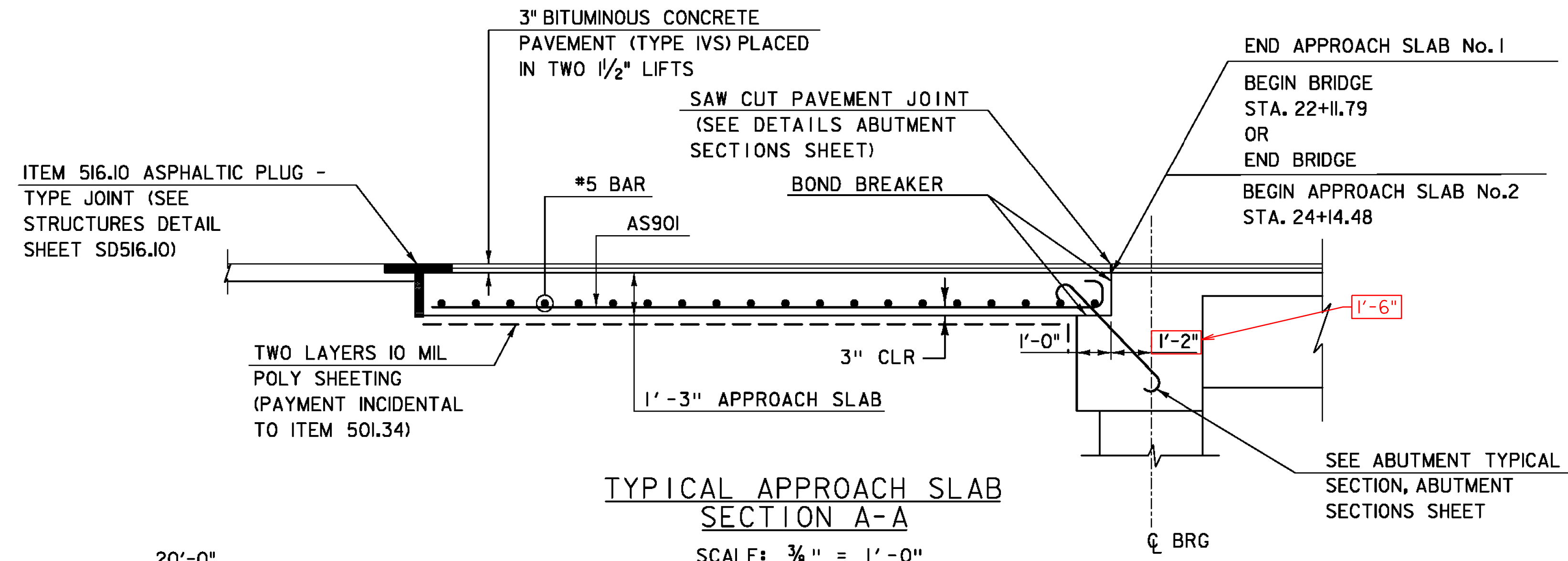
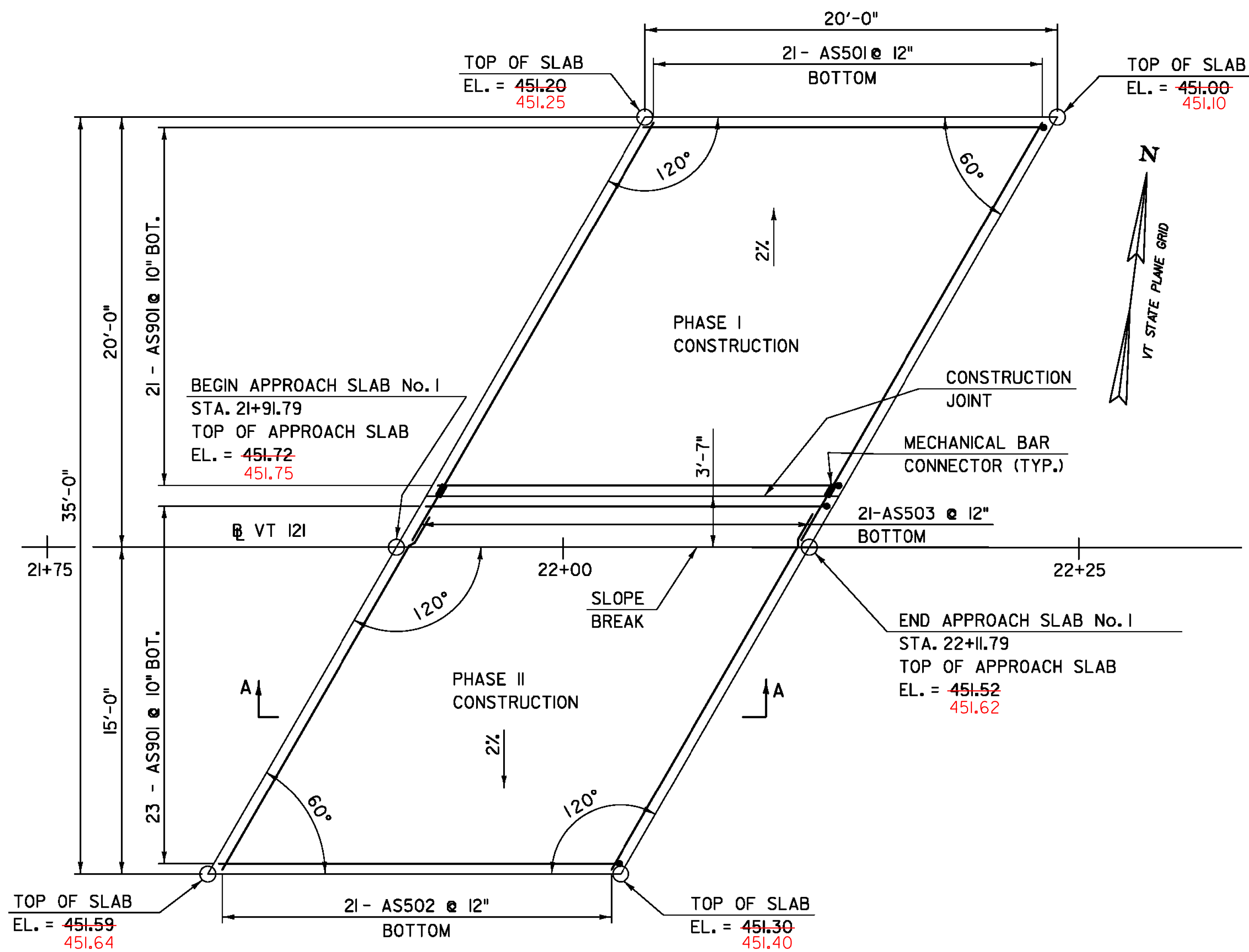


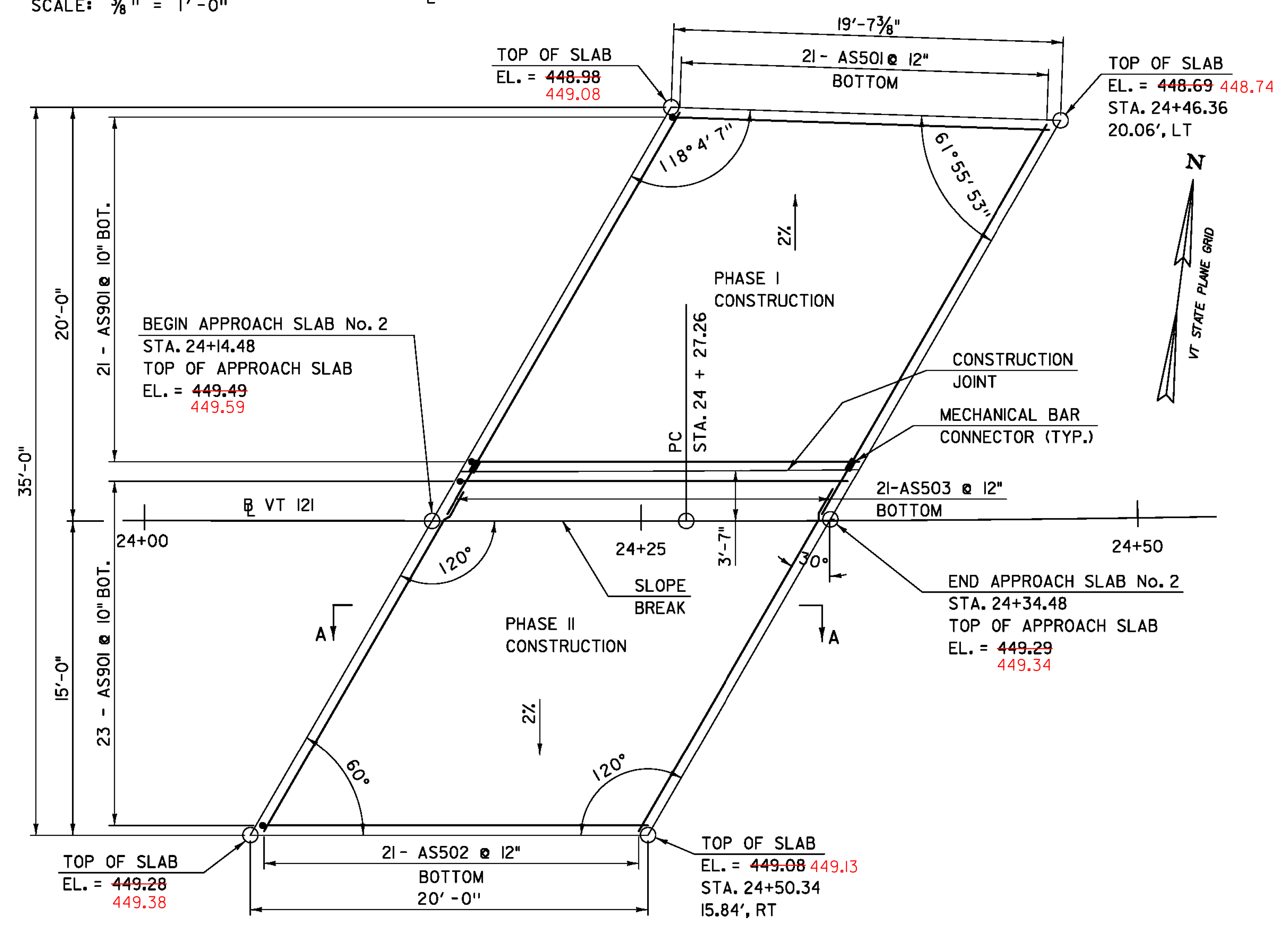
TYPICAL MECHANICAL CONNECTOR DETAIL  
SCALE: 1/2" = 1'-0"



TYPICAL APPROACH SLAB SECTION A-A  
SCALE: 3/8" = 1'-0"



APPROACH SLAB No. 1 PLAN  
SCALE: 1/4" = 1'-0"



APPROACH SLAB No. 2 PLAN  
SCALE: 1/4" = 1'-0"

<b>TYLIN</b> INTERNATIONAL	PROJECT NAME: ROCKINGHAM	FILE NAME: z10j072bdr_apprslab.dgn	PLOT DATE: 8/26/2014
	PROJECT NUMBER: BRF 0126(12)	PROJECT LEADER: R. HEBERT	DRAWN BY: D. AXTELL
		DESIGNED BY: S. KELLER	CHECKED BY: T. POULIN
		APPROACH SLAB DETAILS	SHEET 39 OF 69