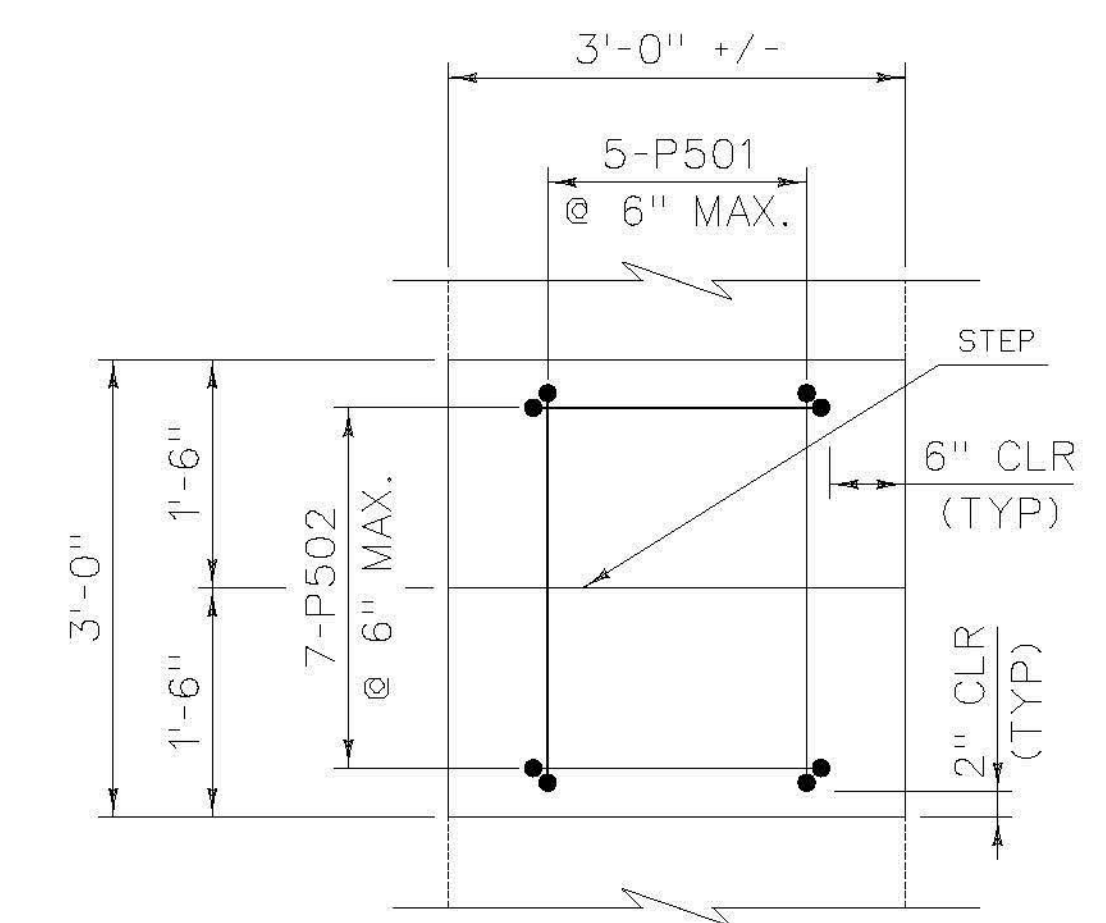
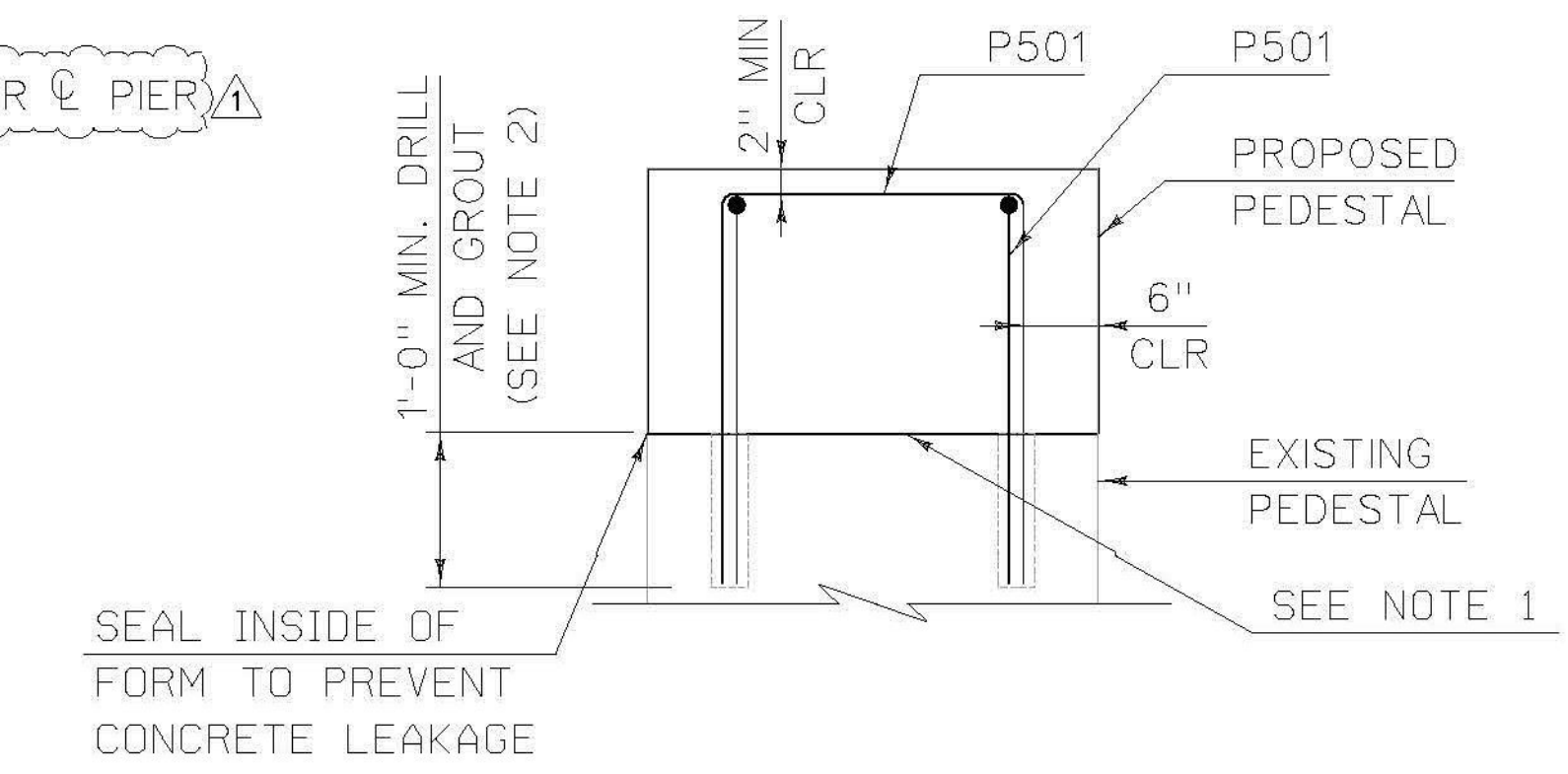


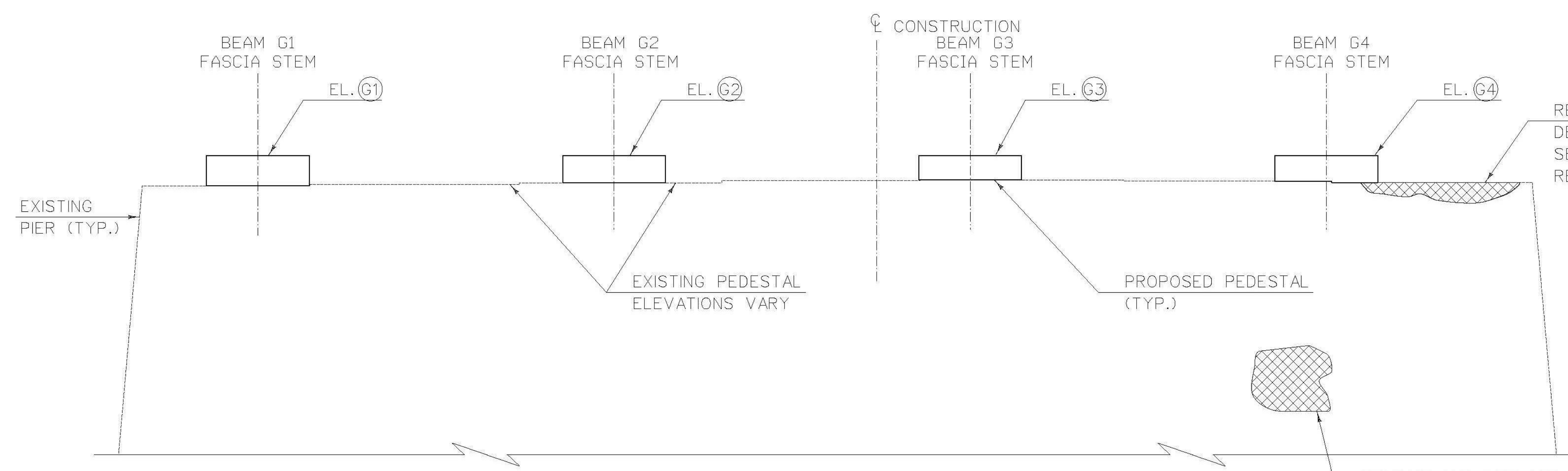
PIERS 1 AND 2 - PLAN
SCALE 3/8" = 1'-0"



PEDESTAL REINFORCEMENT PLAN
SCALE 3/4" = 1'-0"



PEDESTAL REINFORCEMENT ELEVATION
SCALE 3/4" = 1'-0"



PIERS 1 AND 2 - PARTIAL ELEVATION
SCALE 3/8" = 1'-0"

ELEVATION TABLE		
LOCATION	PIER 1 WEST	PIER 2 WEST
G1	446.15	445.46
G2	446.42	445.73
G3	446.58	445.89
G4	446.43	445.74
EXISTING PEDESTAL ELEVATIONS VARY	446.0± TO 446.3±	445.2± TO 445.5±

- NOTES:
- FOR A PERIOD OF AT LEAST ONE HOUR BEFORE THE PLACEMENT OF PEDESTAL CONCRETE MATERIAL, THE PREPARED SURFACE SHALL BE FLOODED WITH WATER. AFTER REMOVAL OF ALL FREE WATER, THE PEDESTAL CONCRETE MATERIAL SHALL BE DEPOSITED ON THE DAMPENED SURFACE.
 - DIAMETER OF DRILLED HOLE SHALL BE DETERMINED BY THE CONTRACTOR AND APPROVED BY THE ENGINEER.

CALDERWOOD ENGINEERING, ETC.
STRUCTURAL ENGINEERING • DETAILING SERVICES
222 RIVER RD., RICHMOND, ME 04357 PH/FX (207)737-2007/1207 737-2008
PREPARED FOR: **COLD RIVER BRIDGES, LLC**
CEE 106-BR-14

DESIGN/DETAILED	DATE	BY	P.E. NUMBER
CHECKED/REVIEWED <td>2014 <td>ETC <td>DATE:</td> </td></td>	2014 <td>ETC <td>DATE:</td> </td>	ETC <td>DATE:</td>	DATE:
REVISIONS 1			
REVISIONS 2			
REVISIONS 3			
REVISIONS 4			
FIELD CHANGES			

VE SUPER. DESIGN
ROCKINGHAM VT. BR# 0126 (12)
PIER MODIFICATION

SHEET NUMBER
37

