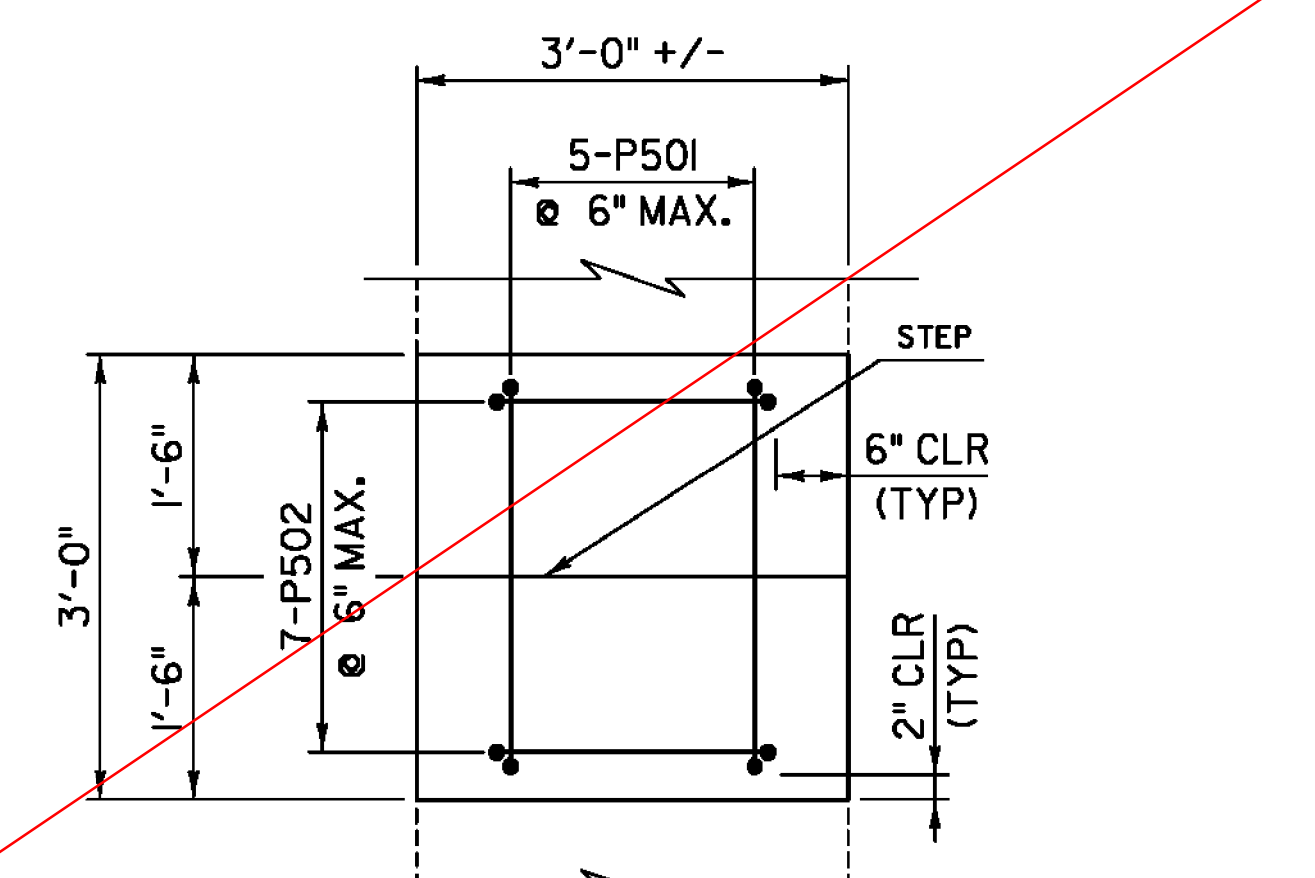
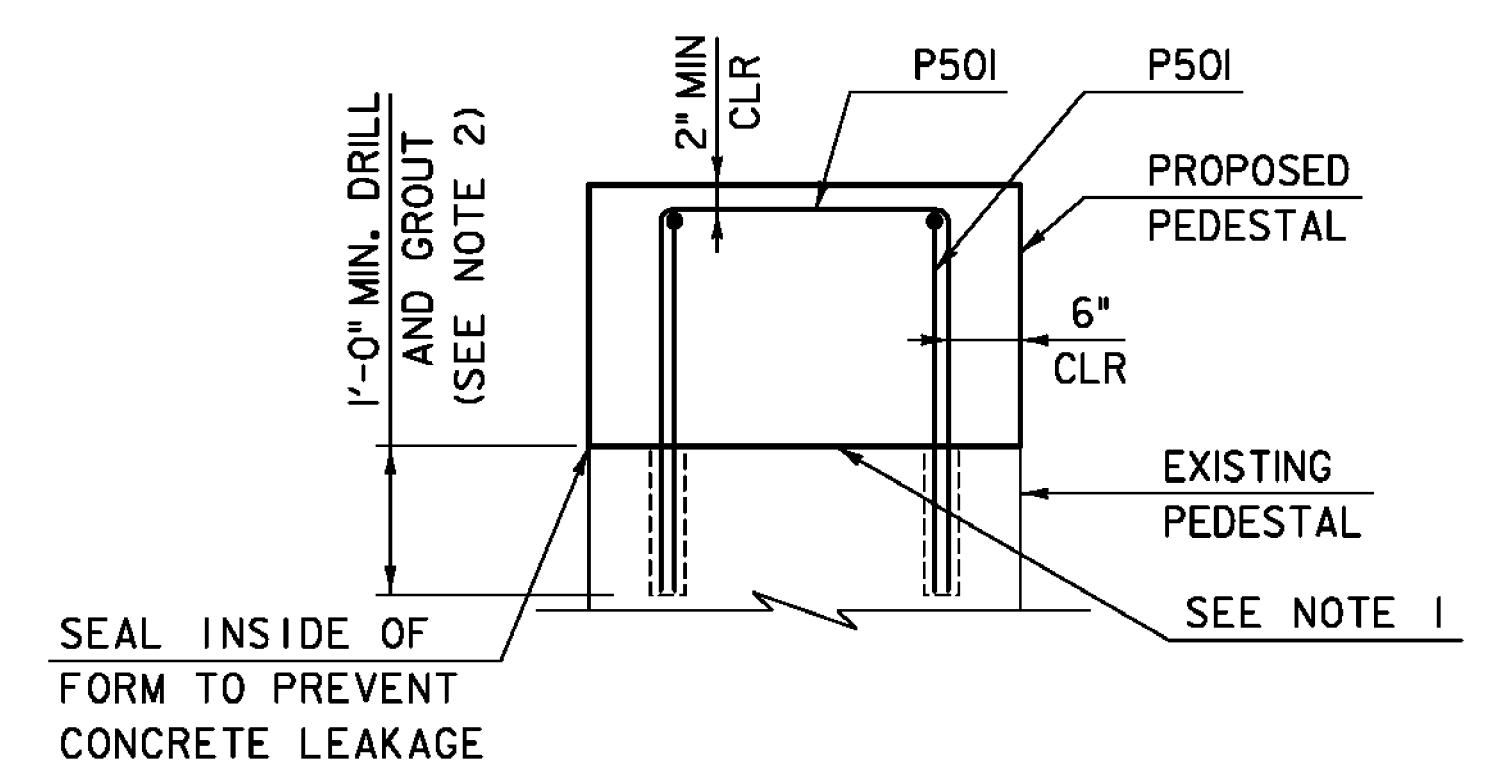


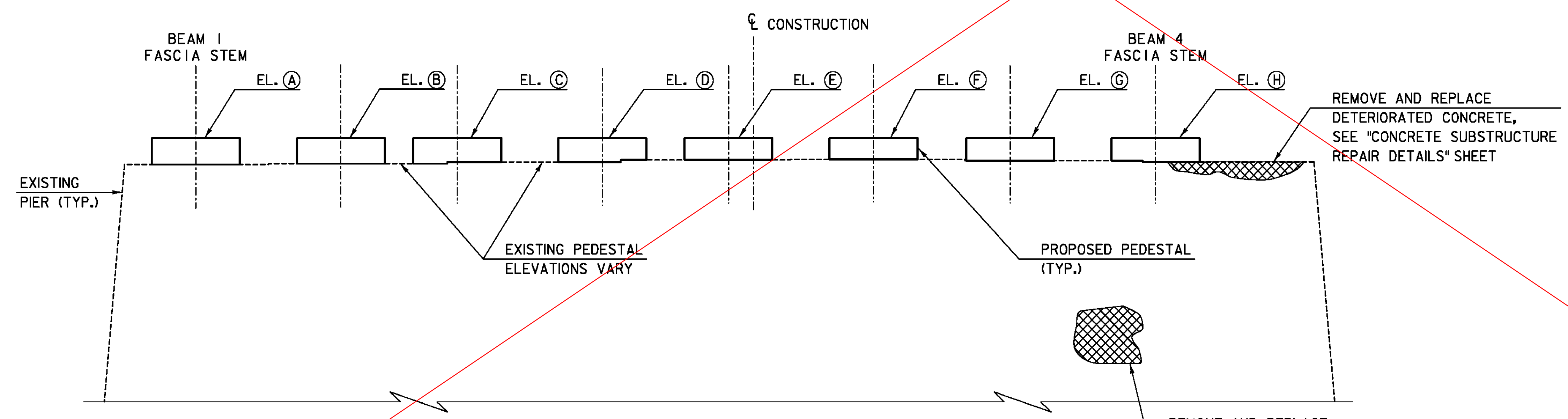
PIERS 1 AND 2 - PLAN
SCALE 3/8" = 1'-0"



PEDESTAL REINFORCEMENT PLAN
SCALE 3/4" = 1'-0"



PEDESTAL REINFORCEMENT ELEVATION
SCALE 3/4" = 1'-0"



PIERS 1 AND 2 - PARTIAL ELEVATION
SCALE 3/8" = 1'-0"

ELEVATION TABLE				
LOCATION	PIER 1 WEST	PIER 1 EAST	PIER 2 WEST	PIER 2 EAST
A	446.72	446.74	446.03	446.05
B	446.89	446.83	446.20	446.14
C	446.95	446.97	446.26	446.28
D	447.12	446.06	446.43	446.37
E	447.14	447.21	446.45	446.52
F	447.17	447.17	446.48	446.48
G	447.09	447.11	446.40	446.42
H	447.06	447.00	446.37	446.31
EXISTING PEDESTAL ELEVATIONS VARY	446.0* TO 446.3*	445.2* TO 445.5*	445.2* TO 445.5*	445.2* TO 445.5*

- NOTES:**
- FOR A PERIOD OF AT LEAST ONE HOUR BEFORE THE PLACEMENT OF PEDESTAL CONCRETE MATERIAL, THE PREPARED SURFACE SHALL BE FLOODED WITH WATER. AFTER REMOVAL OF ALL FREE WATER, THE PEDESTAL CONCRETE MATERIAL SHALL BE DEPOSITED ON THE DAMPENED SURFACE.
 - DIAMETER OF DRILLED HOLE SHALL BE DETERMINED BY THE CONTRACTOR AND APPROVED BY THE ENGINEER.

REMOVE AND REPLACE DETERIORATED CONCRETE, SEE "CONCRETE SUBSTRUCTURE REPAIR DETAILS" SHEET

TYLIN INTERNATIONAL	PROJECT NAME: ROCKINGHAM	PLOT DATE: 8/26/2014
	PROJECT NUMBER: BRF 0126(12)	DRAWN BY: D. AXTELL
	FILE NAME: z10J072bdr_Pier1.dgn	DESIGNED BY: S. KELLER
	PROJECT LEADER: R. HEBERT	CHECKED BY: T. POULIN
	PIER MODIFICATION	SHEET 37 OF 69