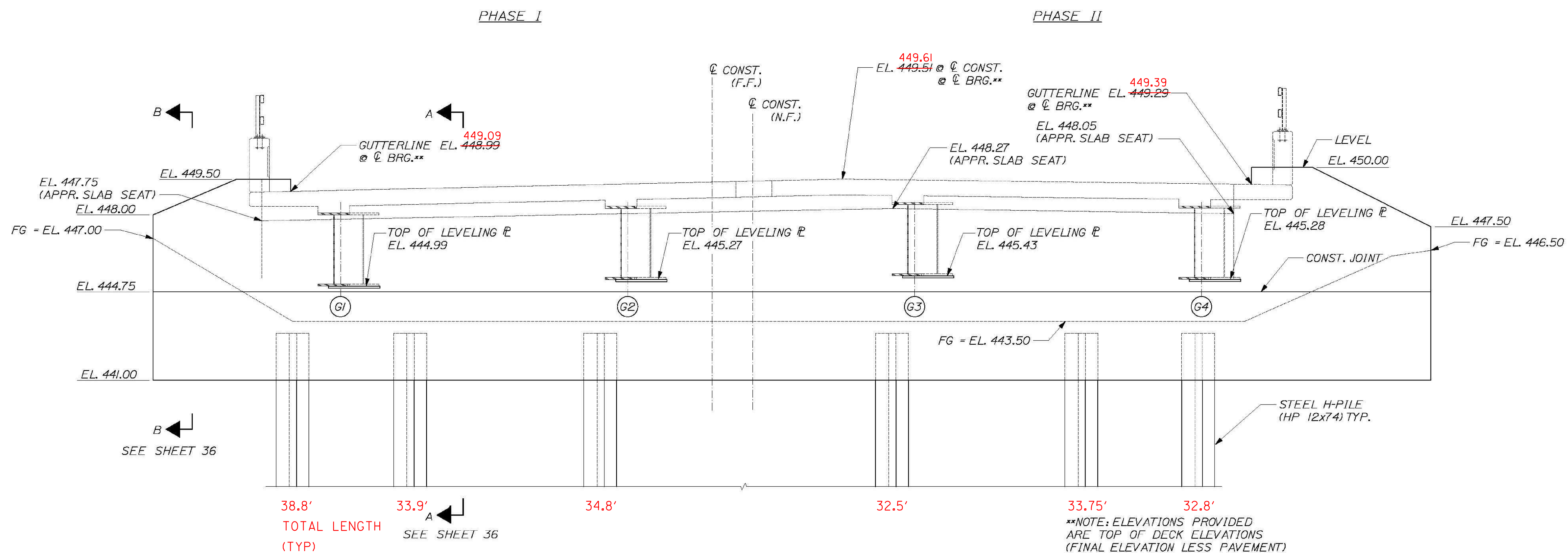


ABUTMENT #2 PLAN



ABUTMENT #2 ELEVATION

3/8"=1'-0"
NOTE: FRONT FACE OF DECK & RAIL ONLY SHOWN FOR CLARITY

**NOTE: ELEVATIONS PROVIDED ARE TOP OF DECK ELEVATIONS (FINAL ELEVATION LESS PAVEMENT)

CALDERWOOD ENGINEERING, ETC.
STRUCTURAL ENGINEERING • DETAILING SERVICES
222 RIVER RD. RICHMOND, ME 04357 PH/FX (207) 377-2007/(207) 737-2008
PREPARED FOR:
COLD RIVER BRIDGES, LLC
CEE 106-BR-14

DESIGN-DETAILED	DATE	BY
CHECKED-REVIEWED	2014	ETC
REVISIONS 1		
REVISIONS 2		
REVISIONS 3		
REVISIONS 4		
FIELD CHANGES		

VT SUPER. DESIGN
ROCKINGHAM VT. BR# 0126 (12)
ABUTMENT 2 MASONRY

SHEET NUMBER

34

