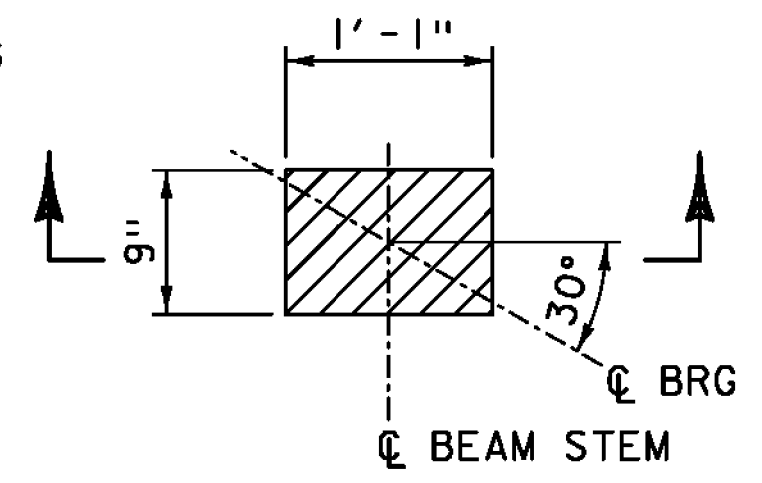
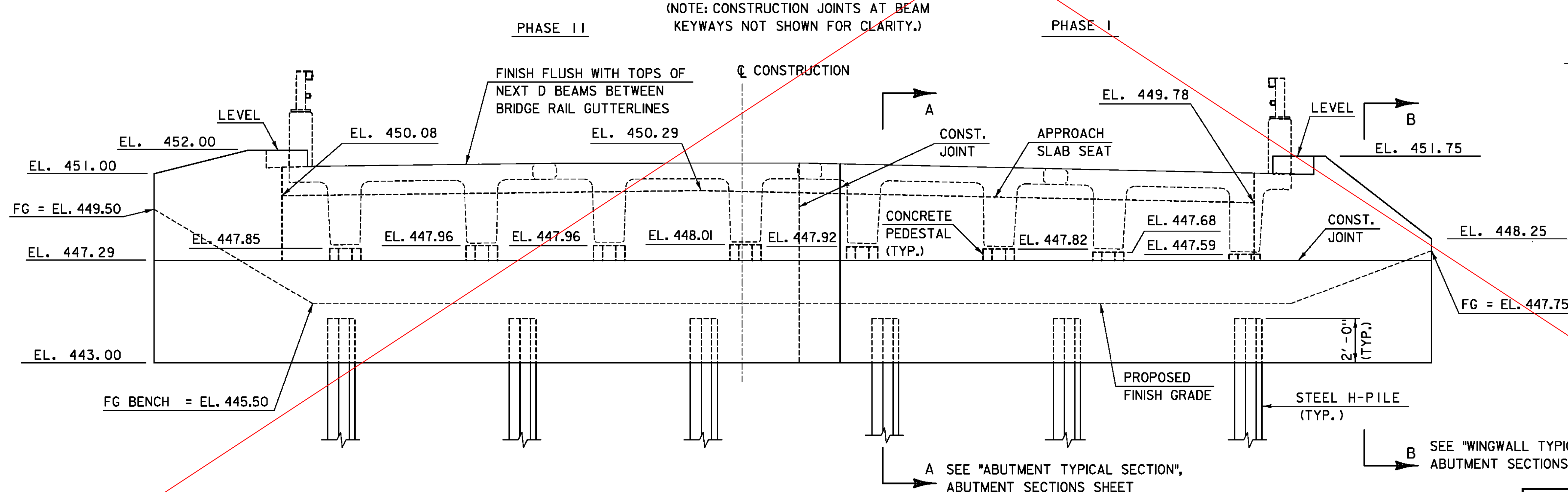


ABUTMENT I PLAN

SCALE: 3/8" = 1'-0"
 (NOTE: CONSTRUCTION JOINTS AT BEAM KEYWAYS NOT SHOWN FOR CLARITY.)

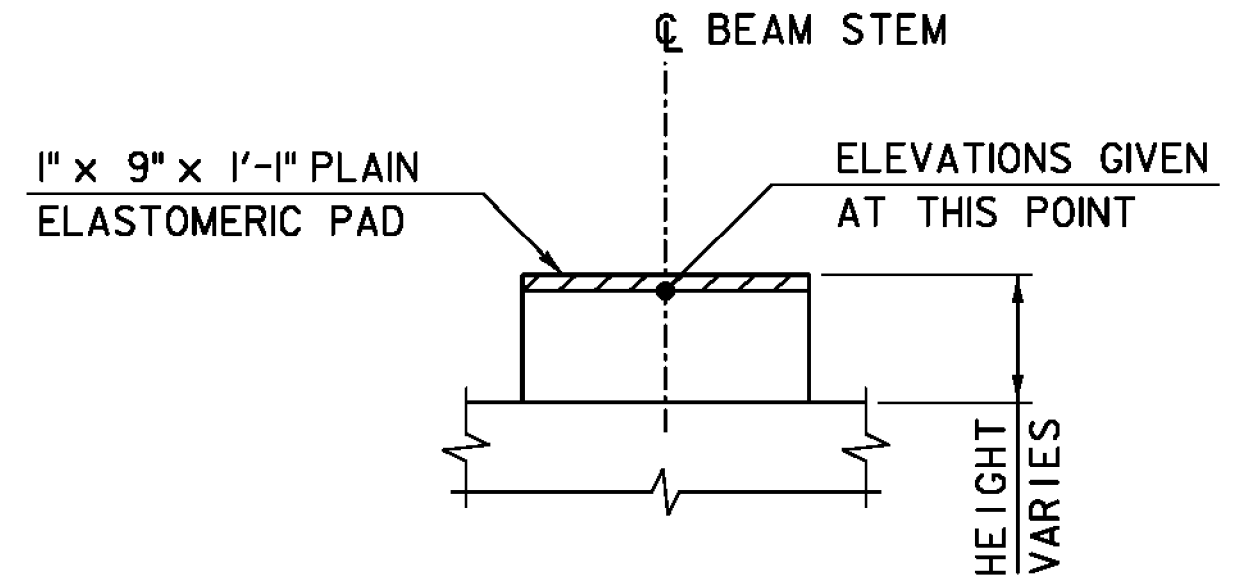


PEDESTAL PLAN
 SCALE: 1" = 1'-0"



ABUTMENT I ELEVATION

SCALE: 3/8" = 1'-0"



PEDESTAL SECTION
 SCALE: 1" = 1'-0"

PROJECT NAME:	ROCKINGHAM	FILE NAME:	z10j072bdr_abut1.dgn	PLOT DATE:	8/26/2014
PROJECT NUMBER:	BRF 0126(12)	PROJECT LEADER:	R. HEBERT	DRAWN BY:	D. AXTELL
		DESIGNED BY:	S. KELLER	CHECKED BY:	T. POULIN
		ABUTMENT I MASONRY			SHEET 32 OF 69

TYLIN INTERNATIONAL

SEE SHEET 32 VE