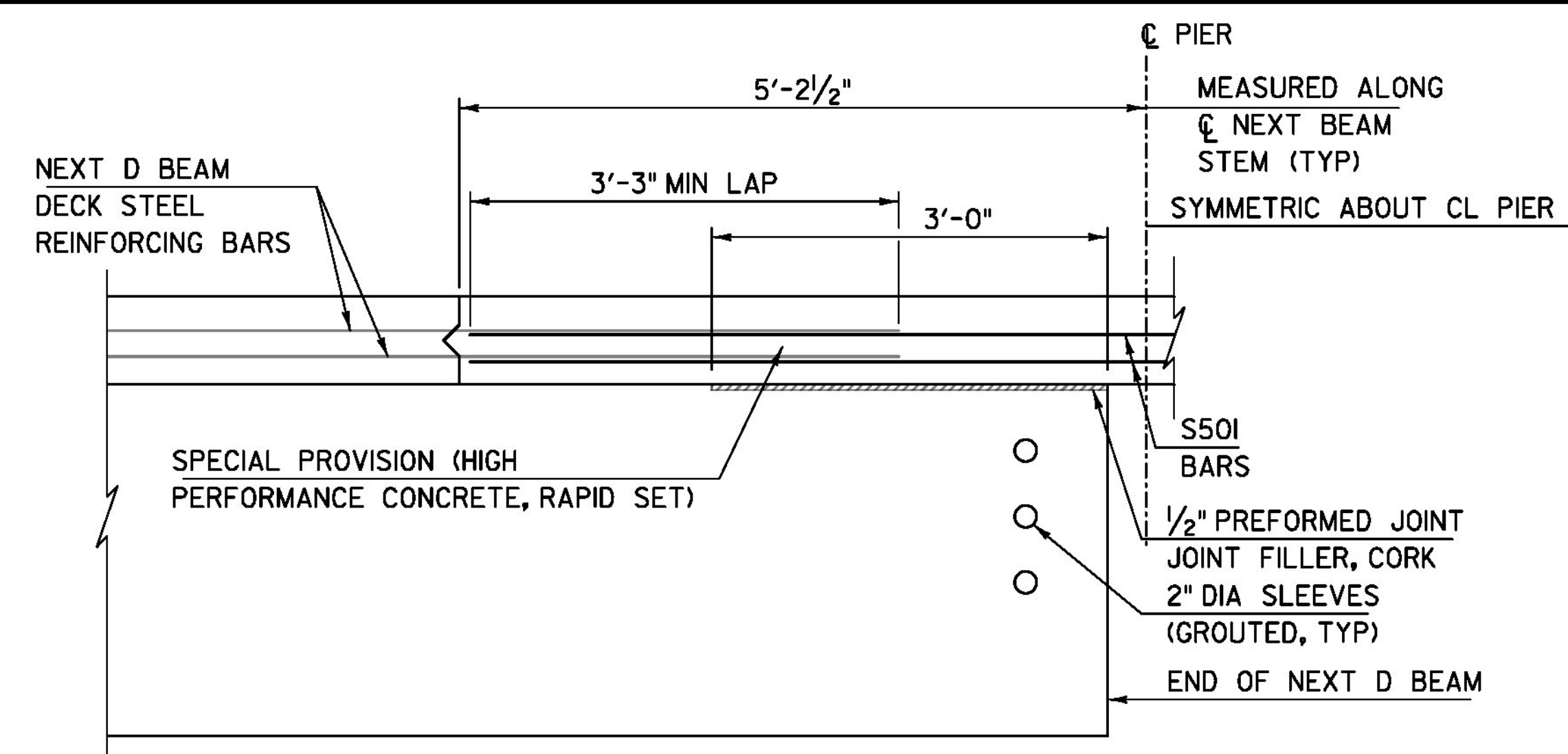
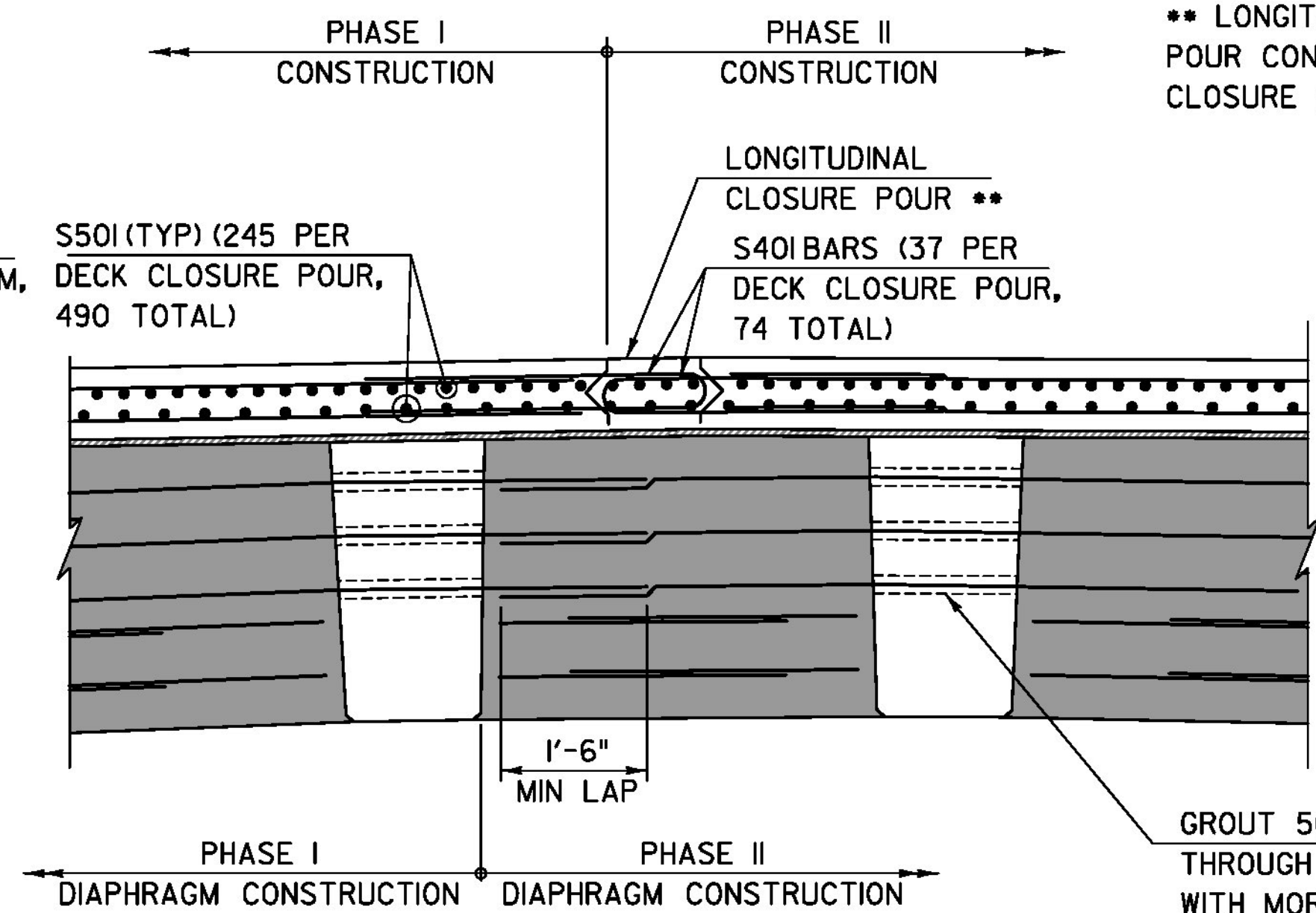
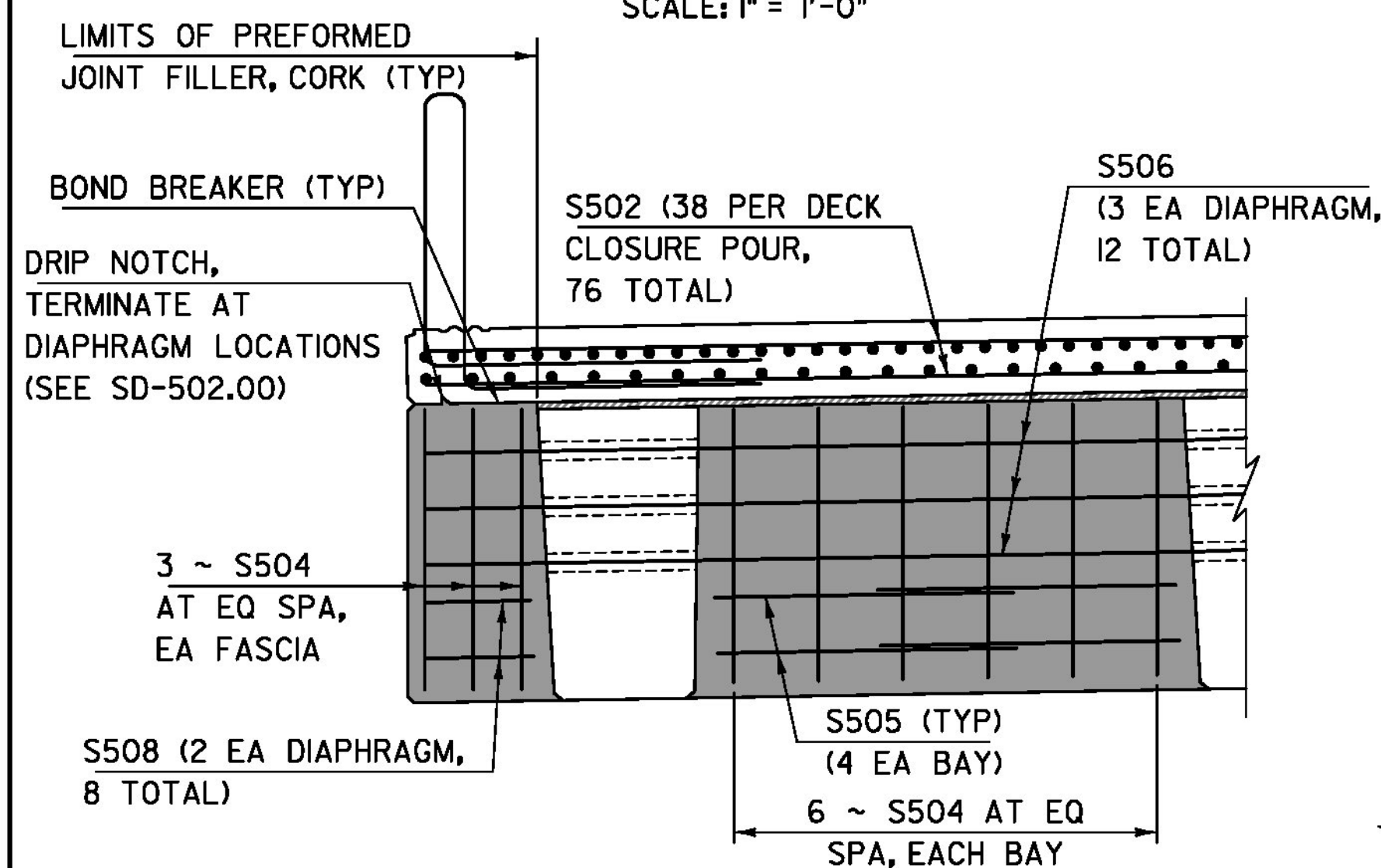


**SECTION NORMAL TO PIER**  
SCALE: 1" = 1'-0"

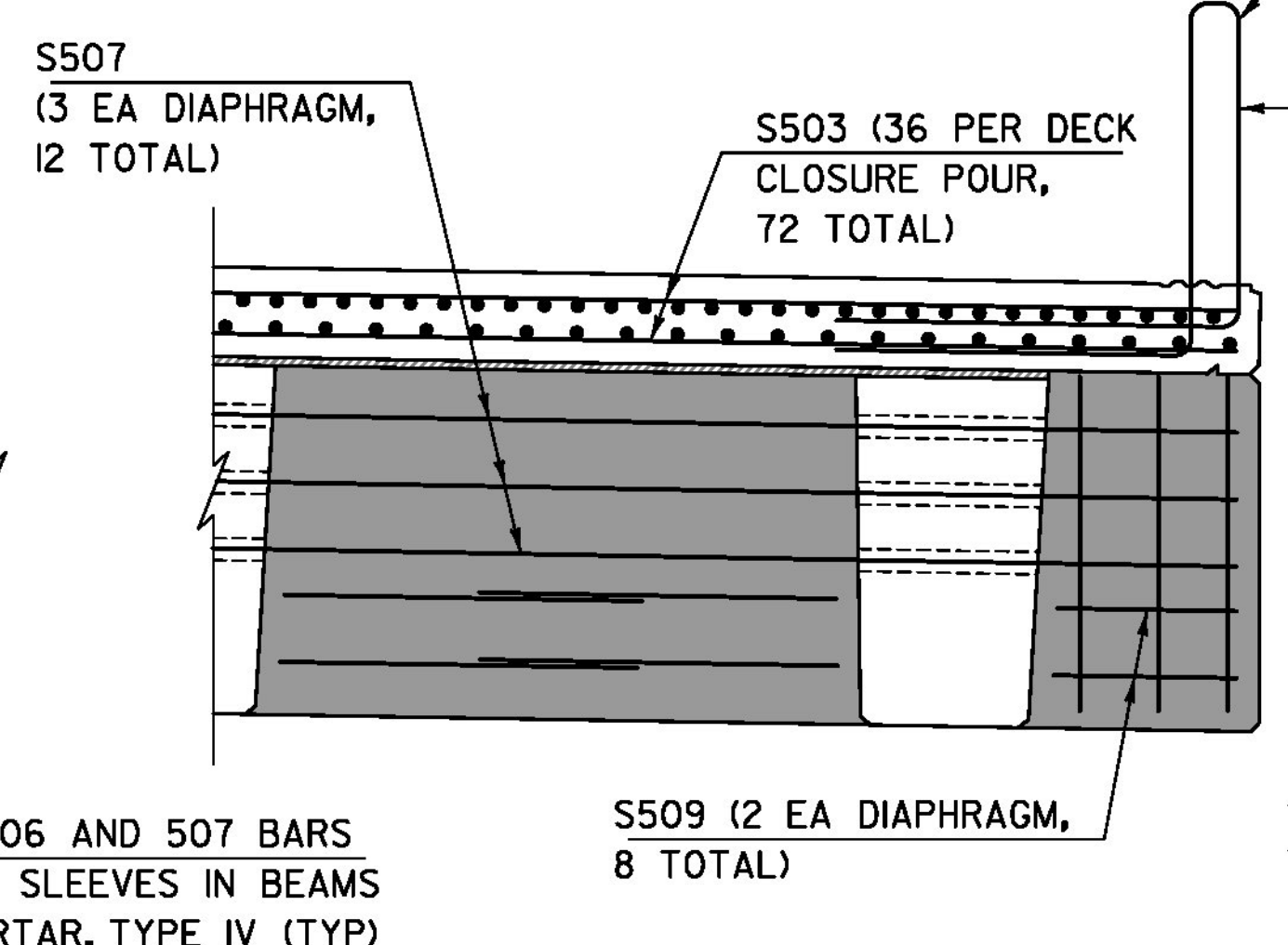


**DECK CLOSURE POUR AT PIERS**  
SCALE: 1" = 1'-0"

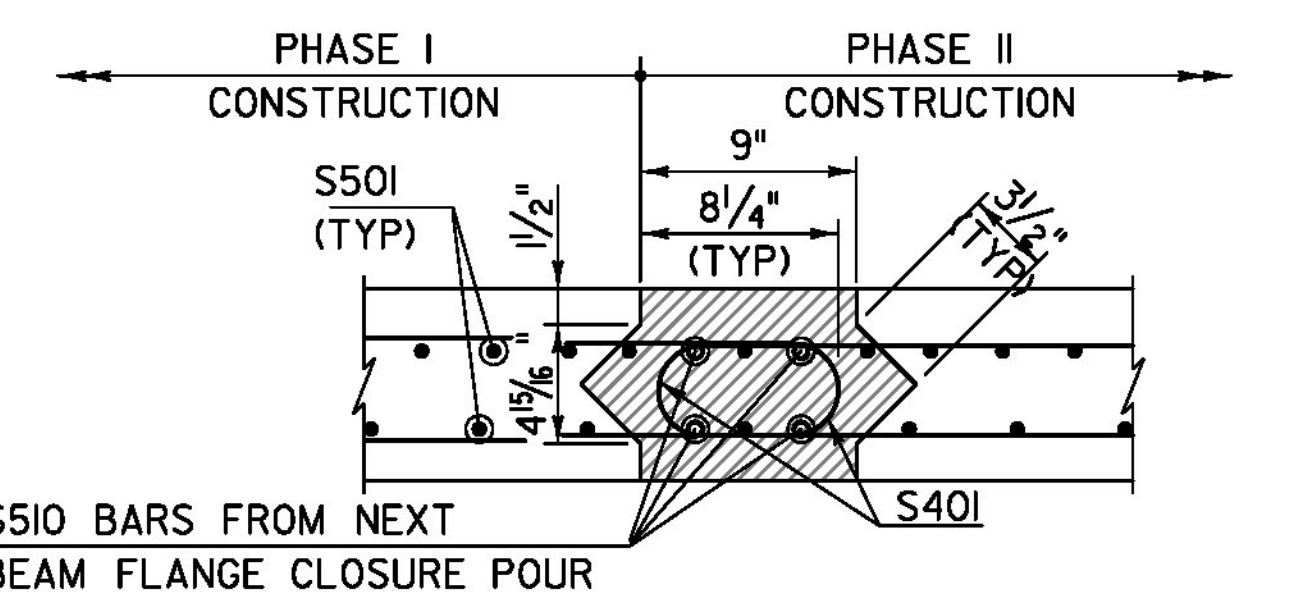


**SECTION A-A: DIAPHRAGM ELEVATION**  
SCALE: 3/4" = 1'-0"

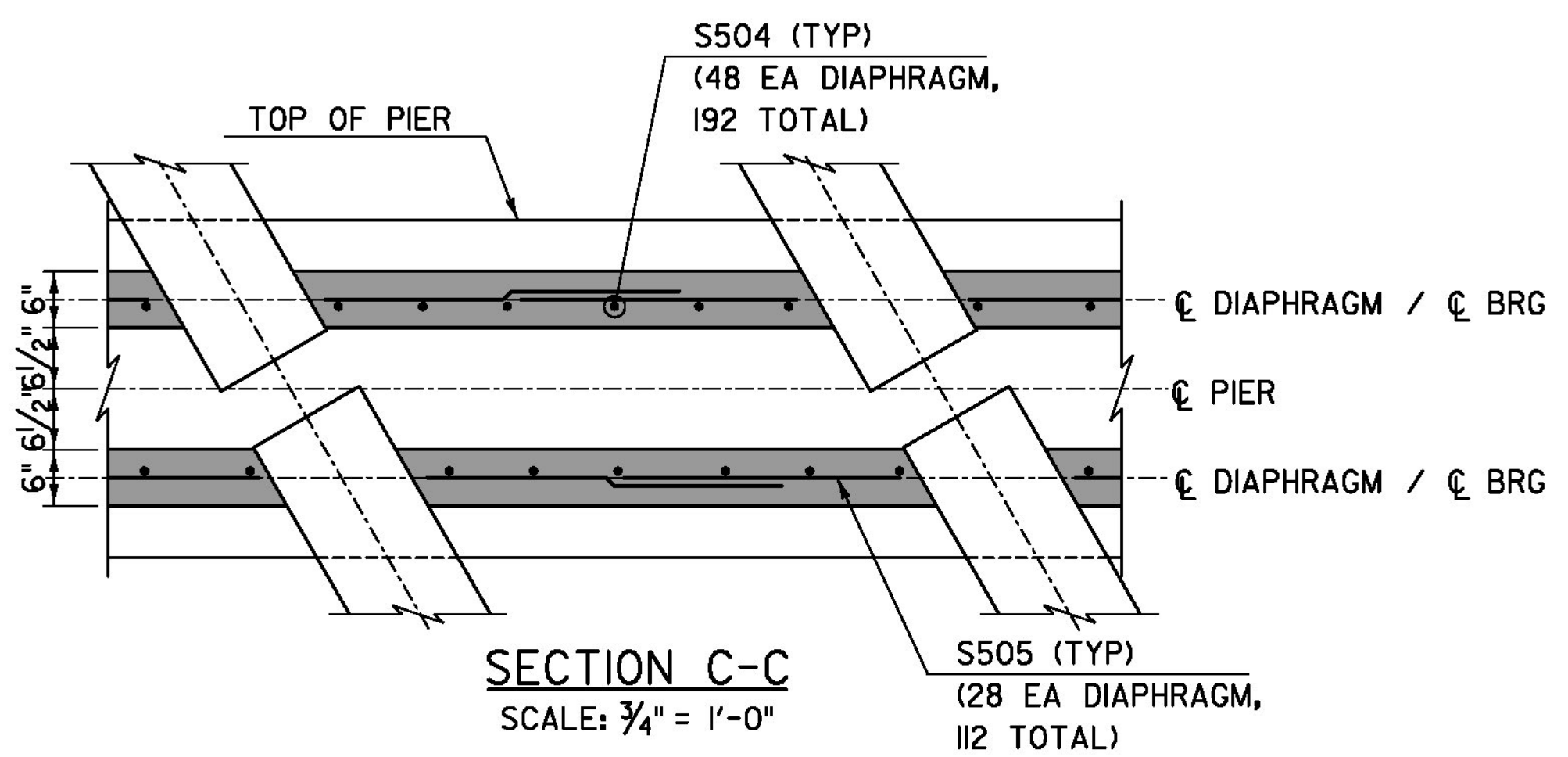
•• LONGITUDINAL CLOSURE POUR BETWEEN PHASED DECK CLOSURE POUR CONSTRUCTION TO BE CAST SIMULTANEOUSLY WITH FLANGE CLOSURE POUR BETWEEN PHASED NEXT BEAM CONSTRUCTION.



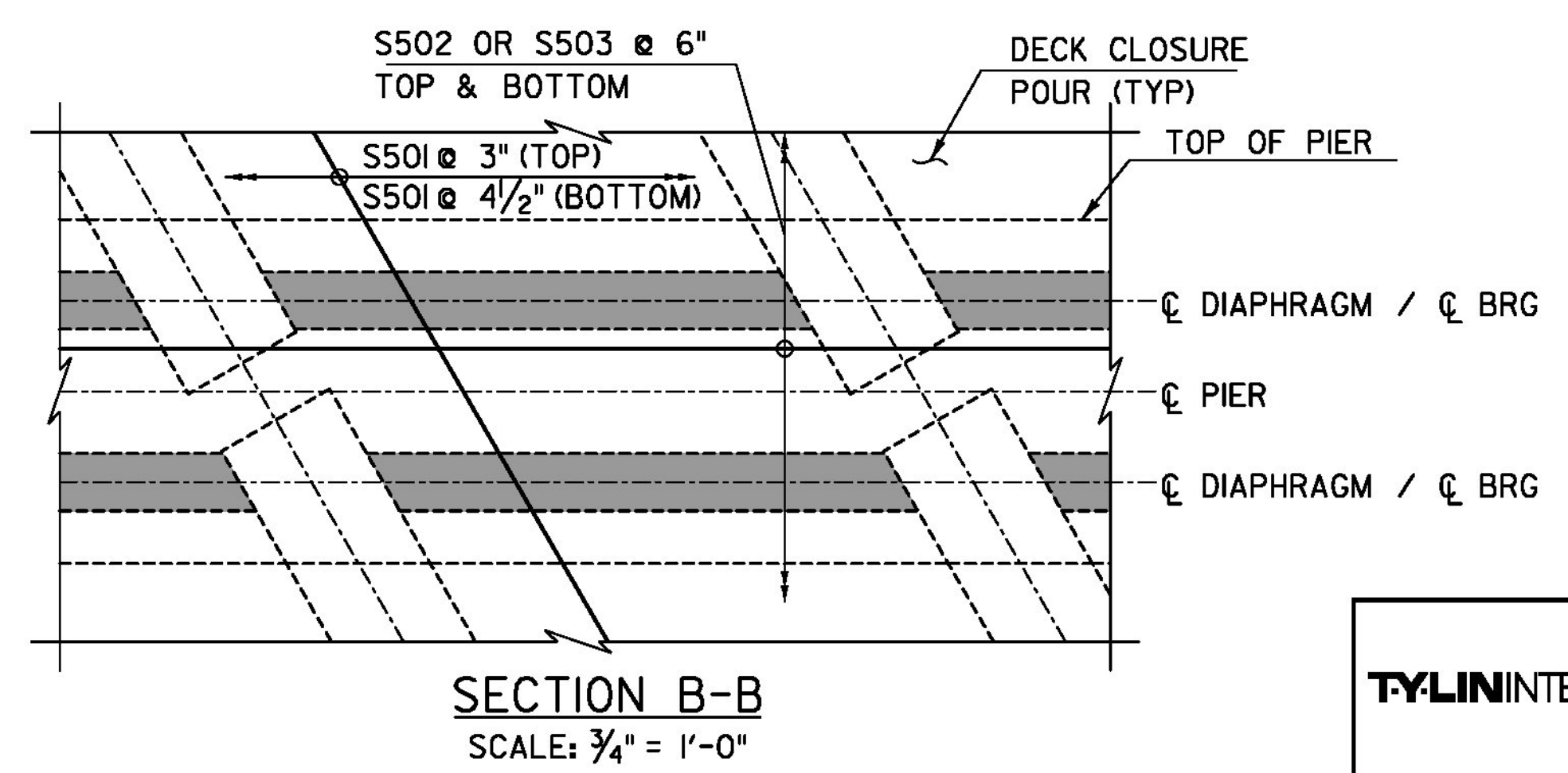
**LONGITUDINAL CLOSURE POUR PLAN THROUGH DECK CLOSURE POUR REGIONS**  
SCALE: 1 1/2" = 1'-0"



**LONGITUDINAL CLOSURE POUR SECTION THROUGH DECK CLOSURE POUR REGIONS**  
SCALE: 1 1/2" = 1'-0"



**SECTION C-C**  
SCALE: 3/4" = 1'-0"



**SECTION B-B**  
SCALE: 3/4" = 1'-0"

<b>TYLINTERNATIONAL</b>	PROJECT NAME: ROCKINGHAM	PLOT DATE: 8/26/2014
	PROJECT NUMBER: BRF 0126(12)	DRAWN BY: S. MORGAN
	FILE NAME: z10j072bdr_PierDlaph.dgn	CHECKED BY: S. KELLER
	DESIGNED BY: J. OLUND	SHEET 30 OF 69
	BEAM DIAPHRAGM AND DECK DETAILS	