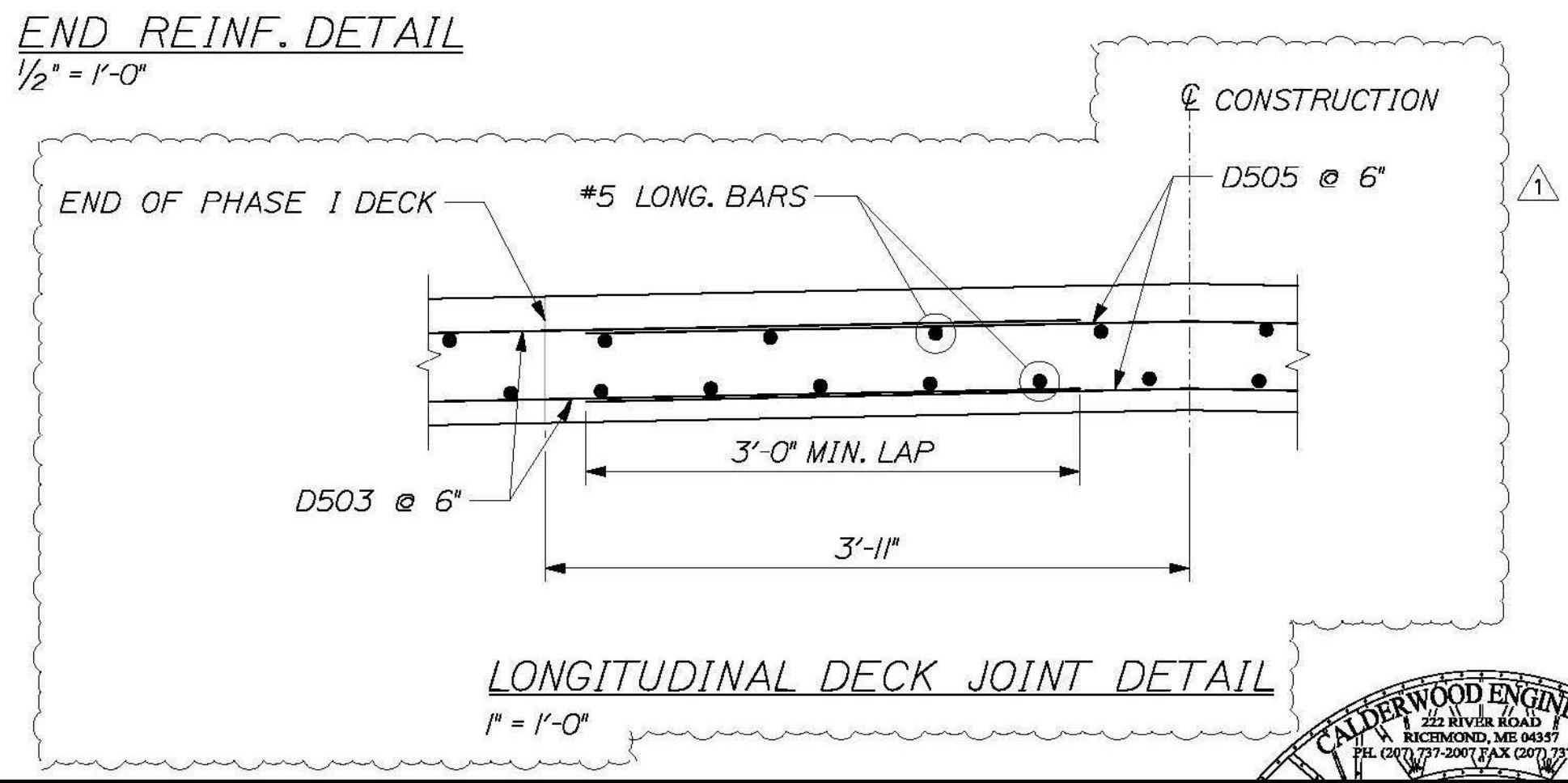
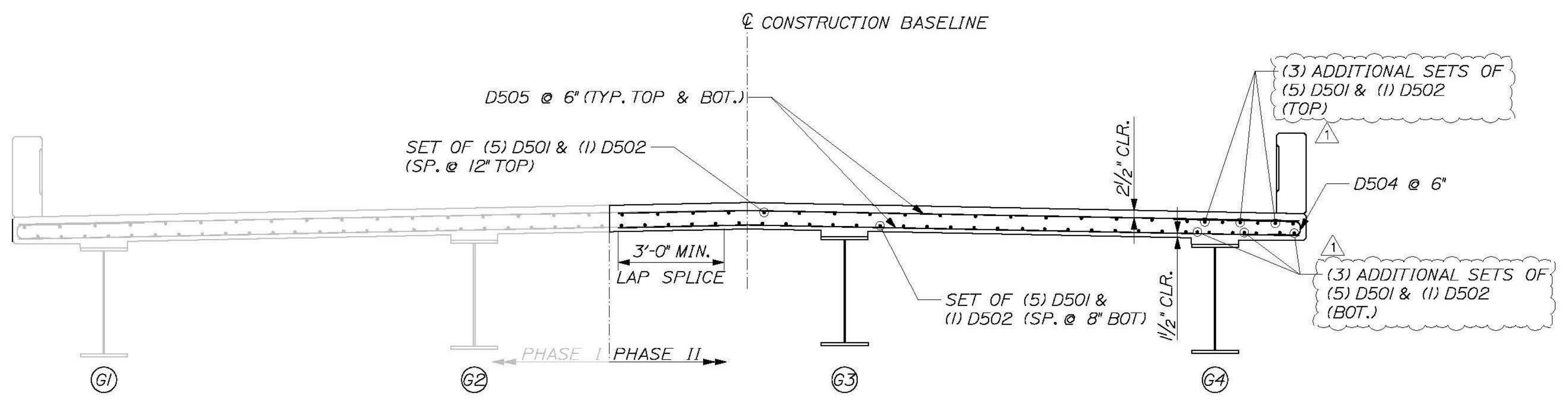
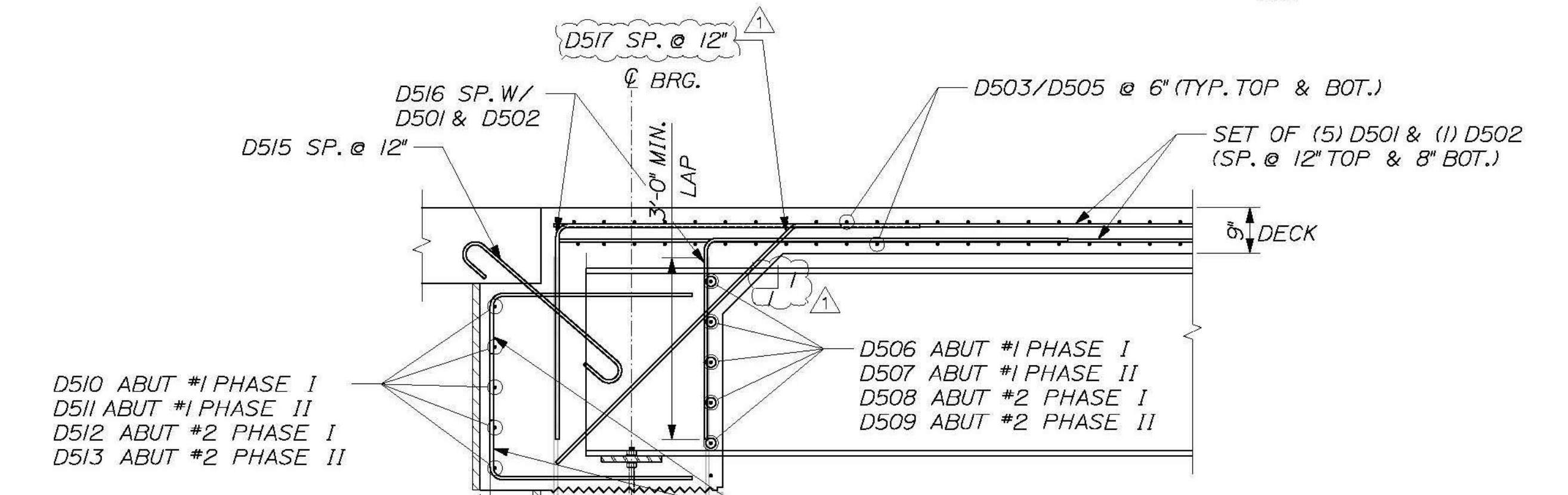
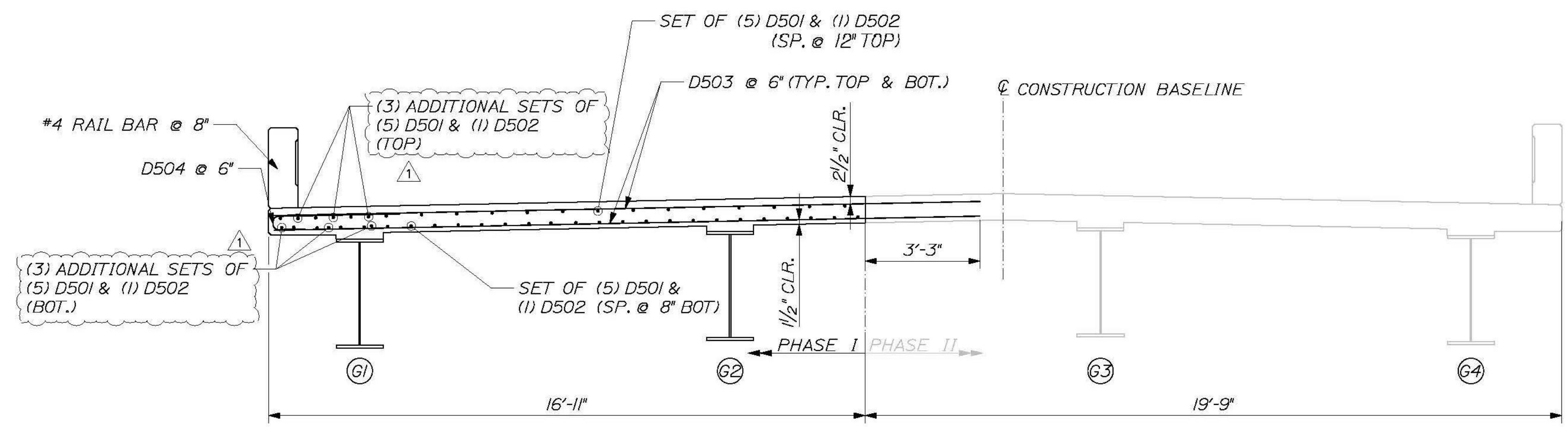


SEE SHEET 33-35a FOR WINGWALL REINF. (TYP. ALL (4) WINGS)



CALDERWOOD ENGINEERING, ETC.
 STRUCTURAL ENGINEERING & DETAILING SERVICES
 222 RIVER RD., RICHMOND, ME 04357 PH/FX (207)737-2007/(207) 737-2008
 PREPARED FOR:
COLD RIVER BRIDGES, LLC
 CEE 106-BR-14

DATE	BY	DESIGN-DETAILED	CHECKED-REVIEWED	REVISIONS 1	REVISIONS 2	REVISIONS 3	REVISIONS 4	FIELD CHANGES
2014	ETC							

P.E. NUMBER: _____
 DATE: _____

VE SUPER. DESIGN
 ROCKINGHAM VT. BRF 0126 (12)
 SUPERSTRUCTURE REINF. DETAILS

SHEET NUMBER
 29

