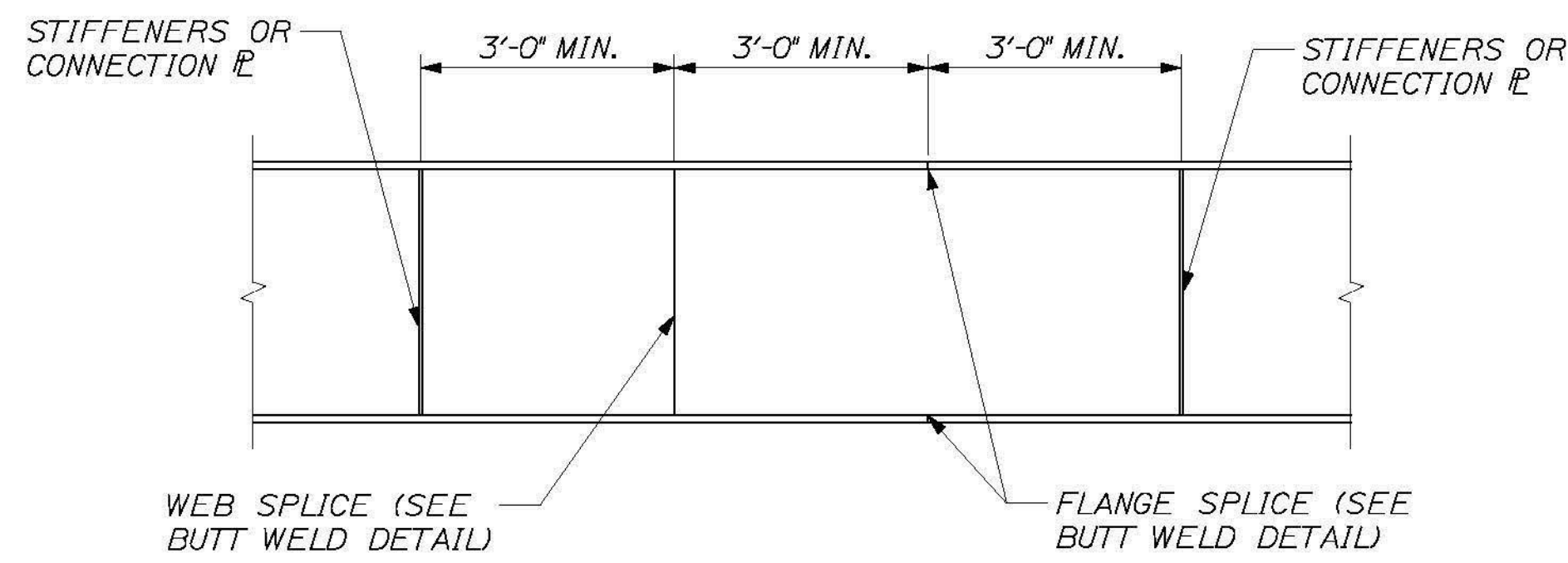
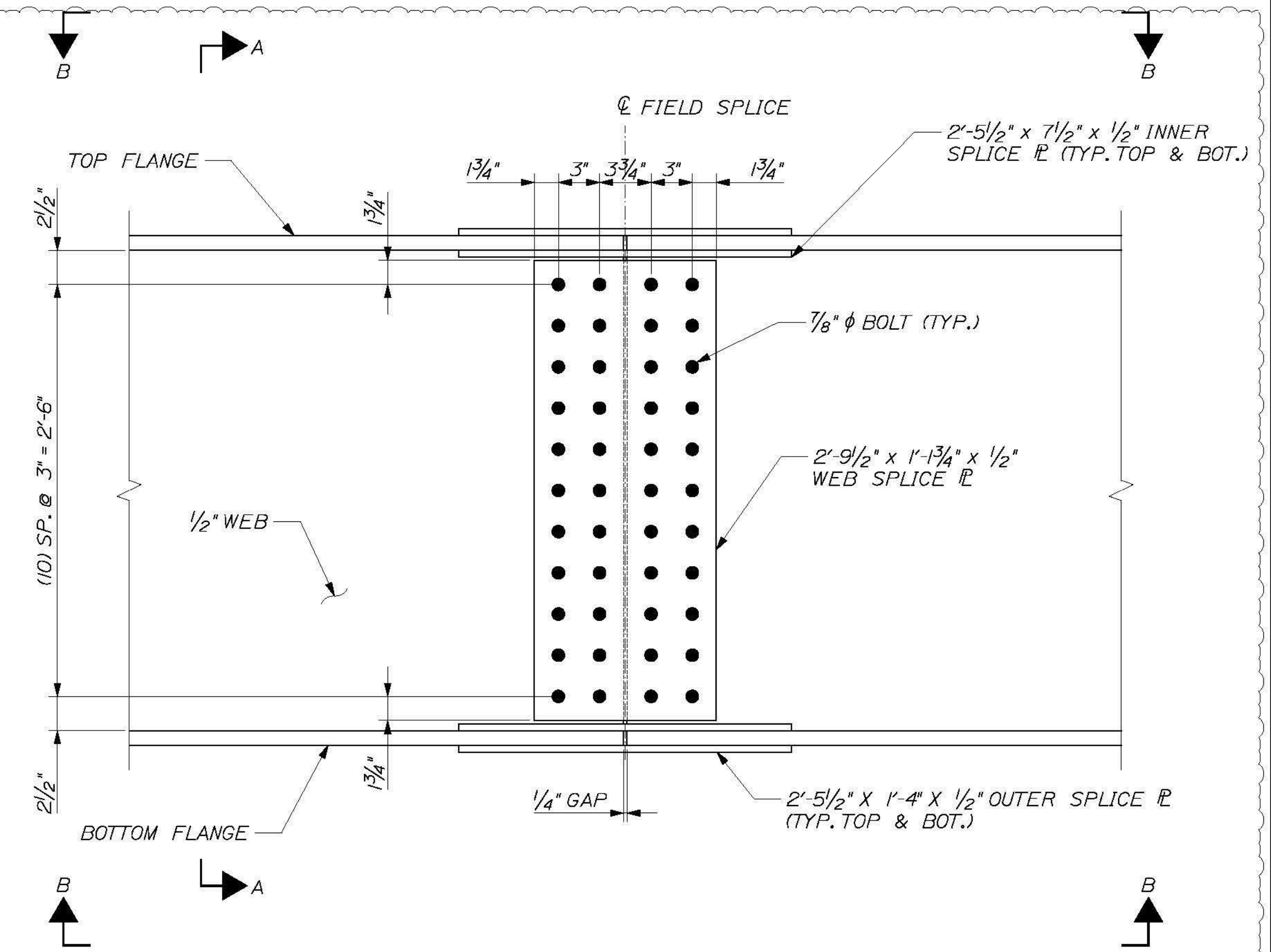


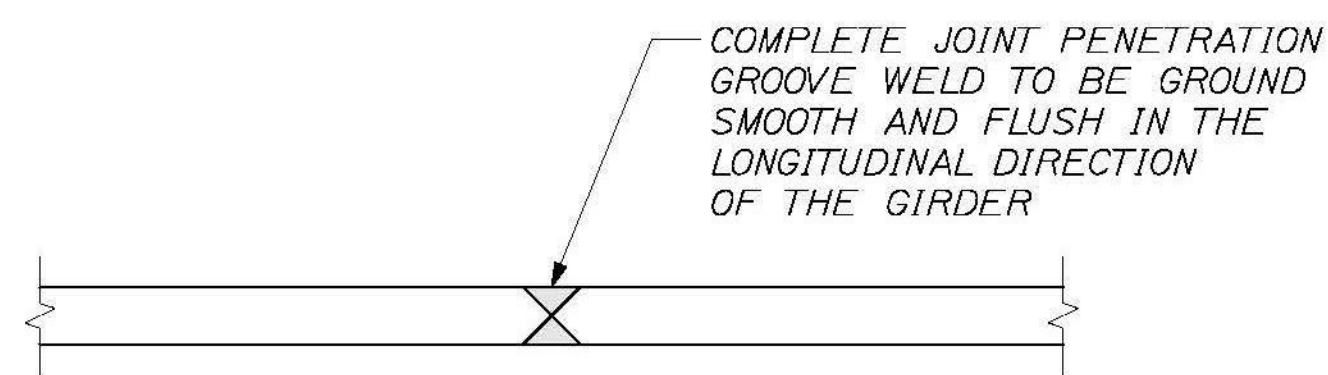
GIRDER END DETAIL
SCALE: 3/4" = 1'-0"



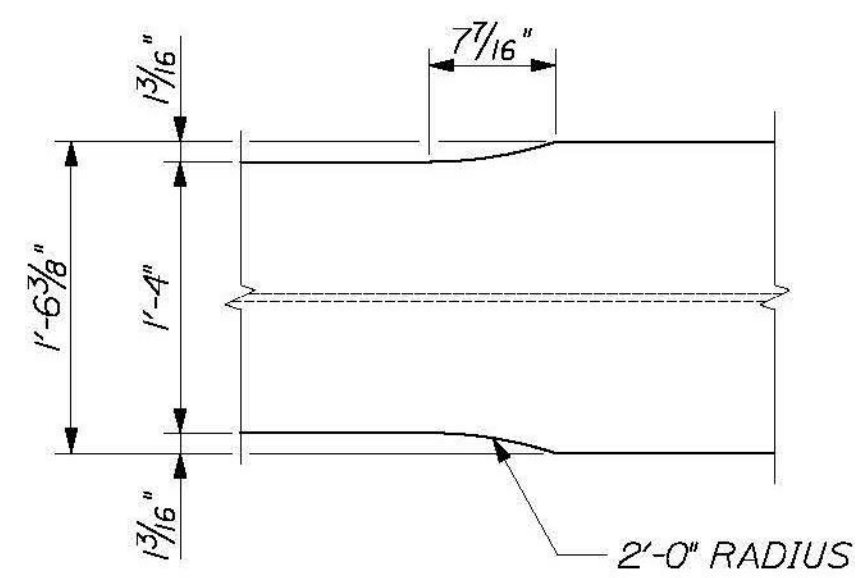
WELDED SPLICE TRANSITION
1/2" = 1'-0"



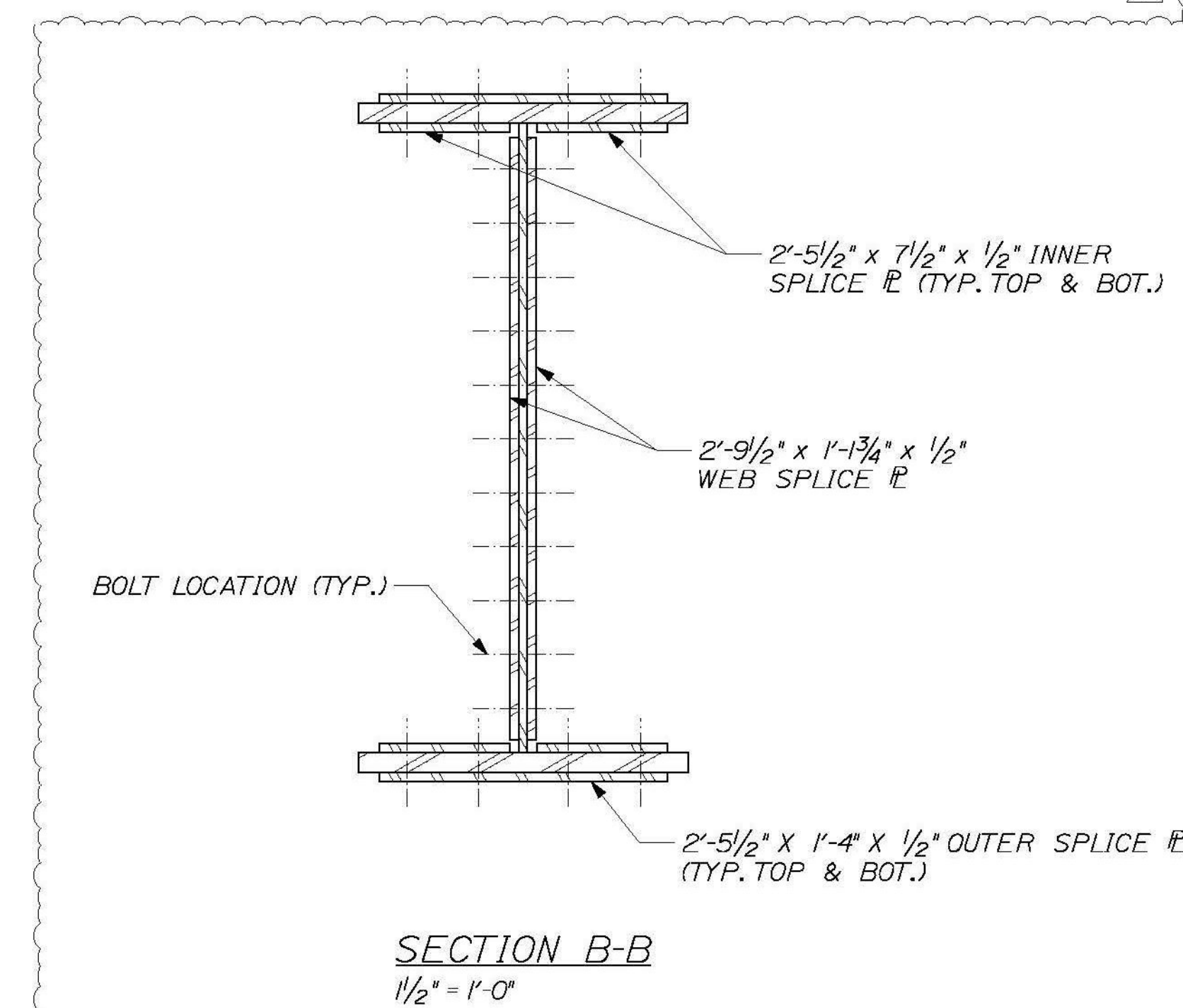
BOLTED FIELD SPLICE ELEVATION
1/2" = 1'-0"



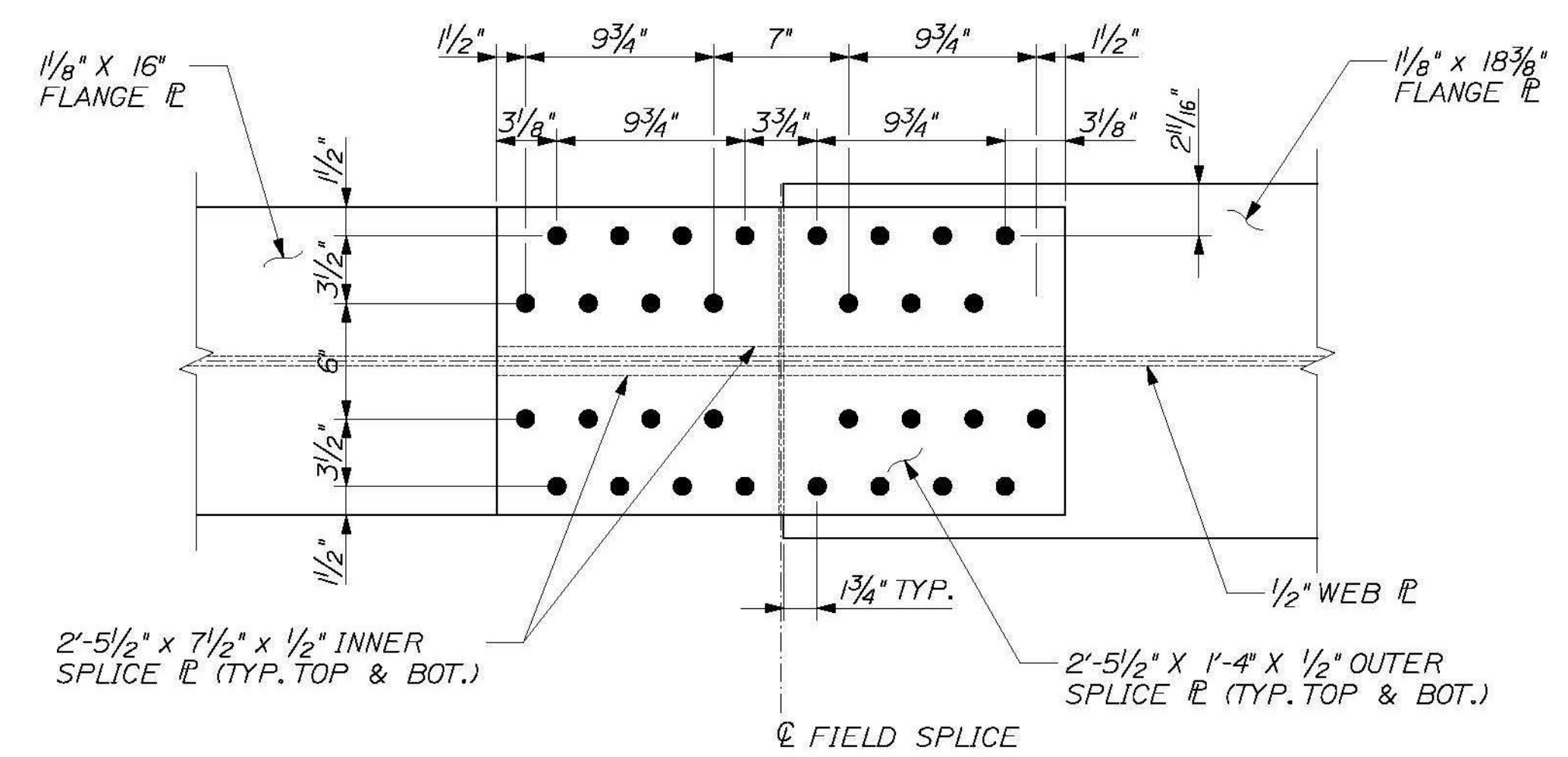
FLANGE OR WEB BET WELD
3" = 1'-0"



FLANGE WIDTH TRANSITION DETAIL
1" = 1'-0"



SECTION B-B
1/2" = 1'-0"



SECTION B-B
1/2" = 1'-0"

CALDERWOOD ENGINEERING, ETC.
STRUCTURAL ENGINEERING • DETAILING SERVICES
222 RIVER RD., RICHMOND, ME 04357 PH/FX (207) 737-2008
PREPARED FOR: COLD RIVER BRIDGES, LLC
CEE 106-BR-14

DESIGN/DETAILED	BY	DATE
CHECKED/REVIEWED	ETC	2014
REVISIONS 1		
REVISIONS 2		
REVISIONS 3		
REVISIONS 4		
FIELD CHANGES		

P.E. NUMBER	DATE:

VE SUPER. DESIGN
ROCKINGHAM VT. BR# 0126 (12)
STEEL GIRDER DETAILS (2 OF 3)

SHEET NUMBER
28

