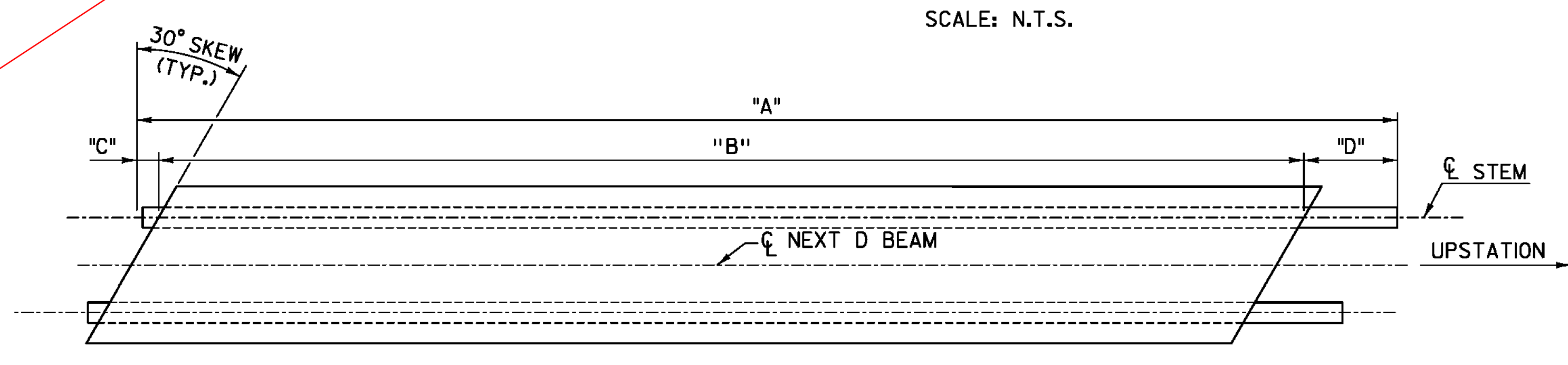
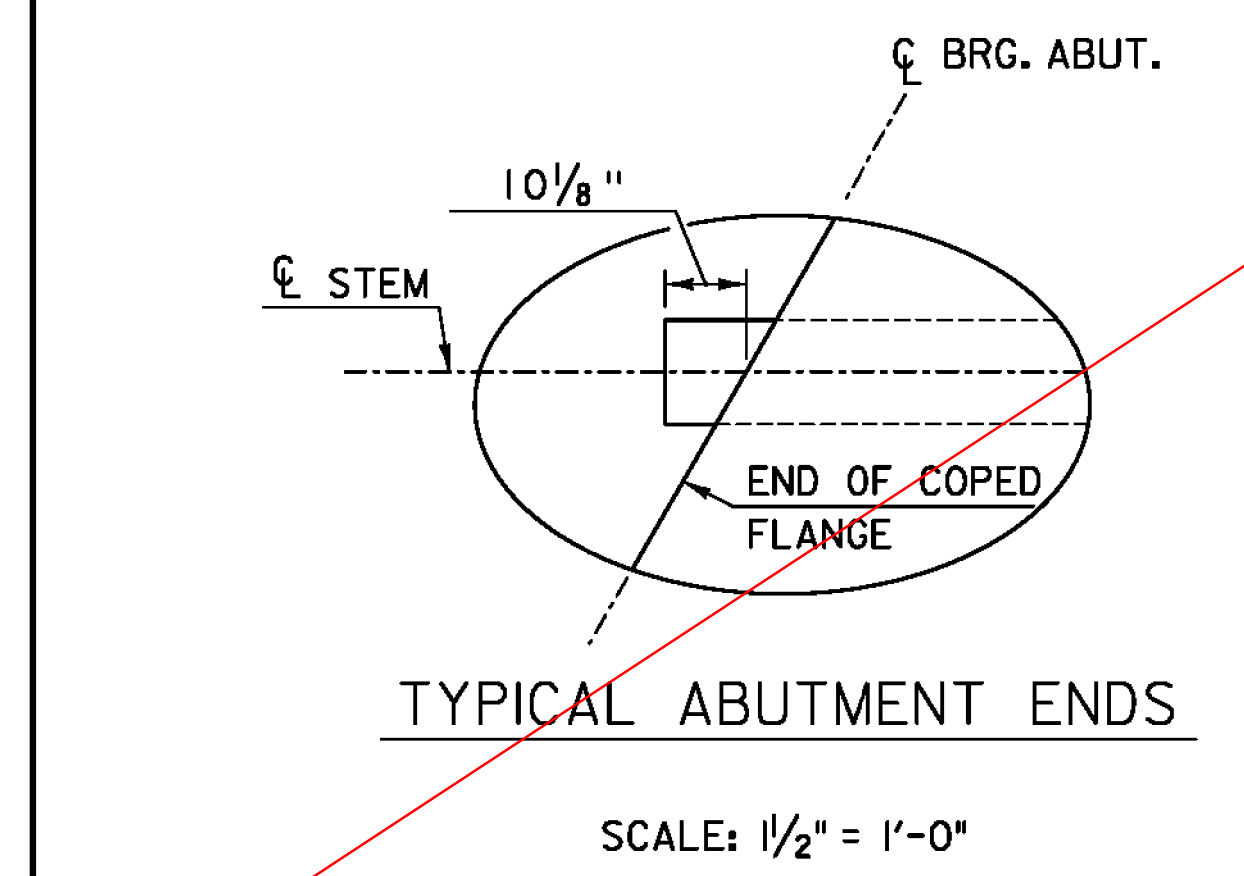


\*SEE TRANSVERSE SHEAR KEY DETAIL FOR COPED ENDS OF NEXT BEAM FLANGES (PIER ENDS ONLY).



SPAN	NEXT D BEAM PLAN DIMENSIONS			
	"A"	"B"	"C"	"D"
1	66'-0 5/8"	60'-3 1/2"	0'-10 1/8"	4'-11"
2	68'-5 1/8"	58'-7"	4'-11"	4'-11"
3	66'-0 5/8"	60'-3 1/2"	4'-11"	0'-10 1/8"

PROJECT NAME: ROCKINGHAM  
PROJECT NUMBER: BRF 0126(12)  
FILE NAME: z10j072bdr\_glrder.l.dgn  
PROJECT LEADER: R. HEBERT  
DESIGNED BY: S. KELLER  
NEXT D BEAM DETAILS (1 OF 3)

PLOT DATE: 8/26/2014  
DRAWN BY: D. AXTELL  
CHECKED BY: T. POULIN  
SHEET 27 OF 69

**TYLIN** INTERNATIONAL