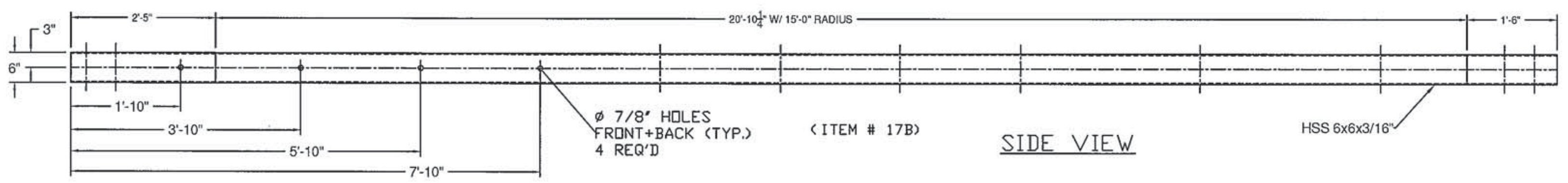
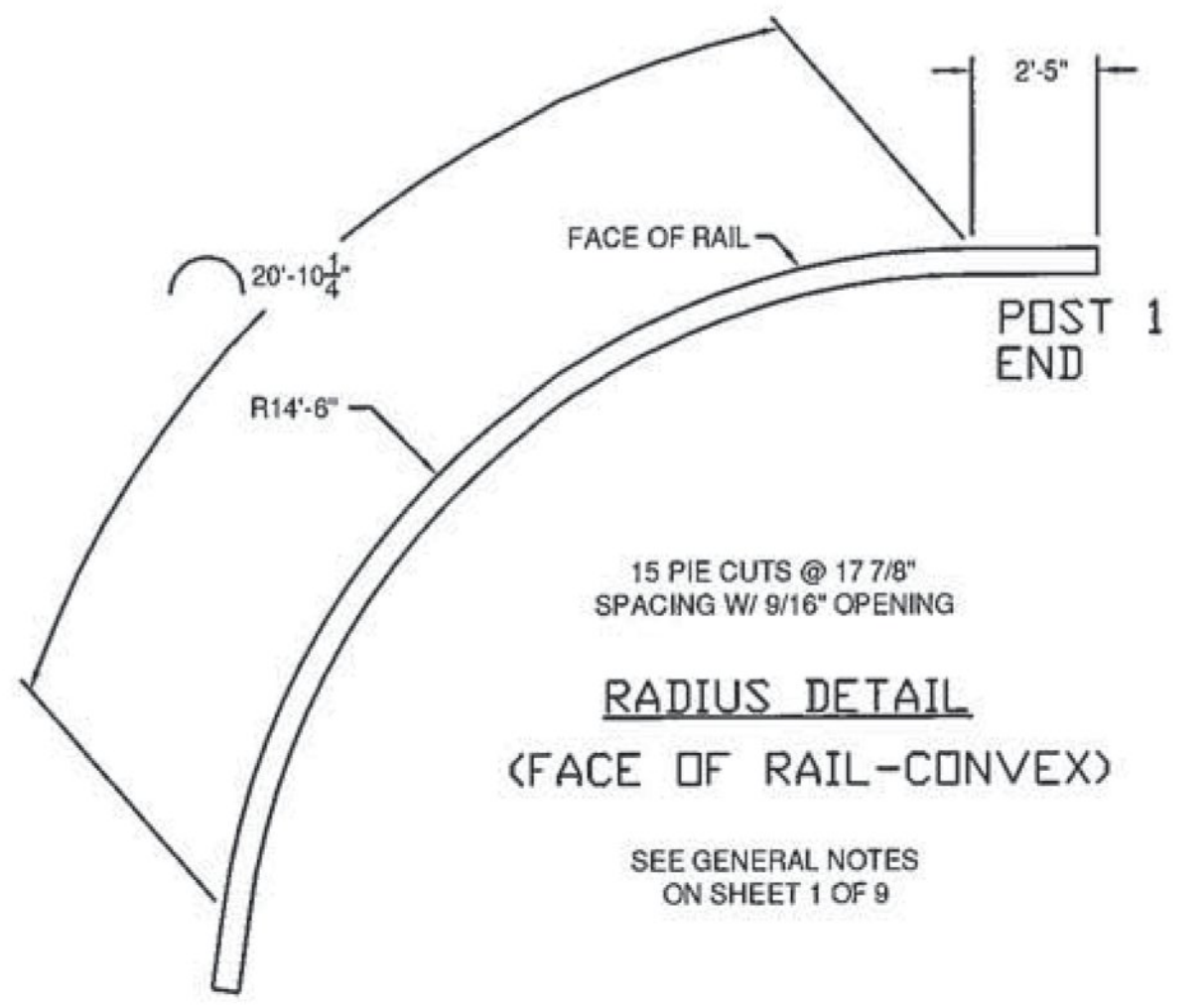


TOP VIEW

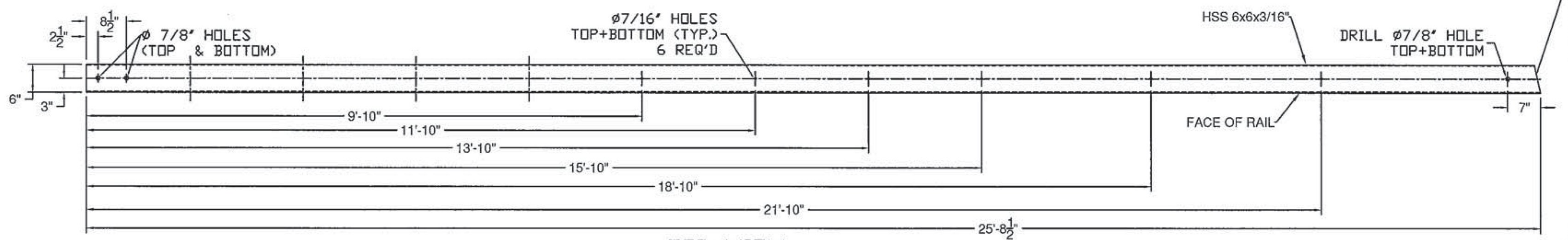


SIDE VIEW

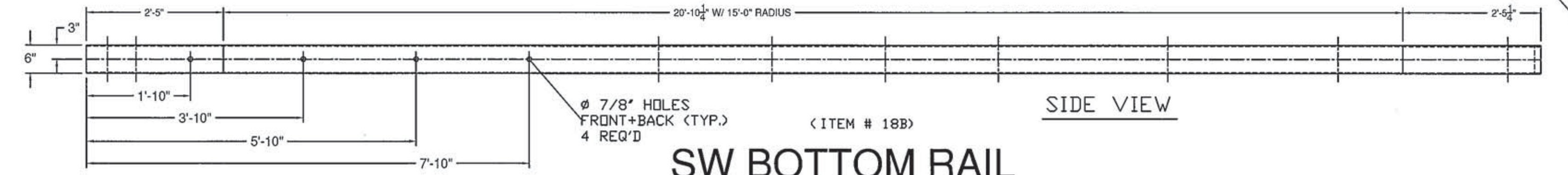
SW TOP RAIL
PRIOR TO FORMING



RADIUS DETAIL
(FACE OF RAIL-CONVEX)
SEE GENERAL NOTES
ON SHEET 1 OF 9

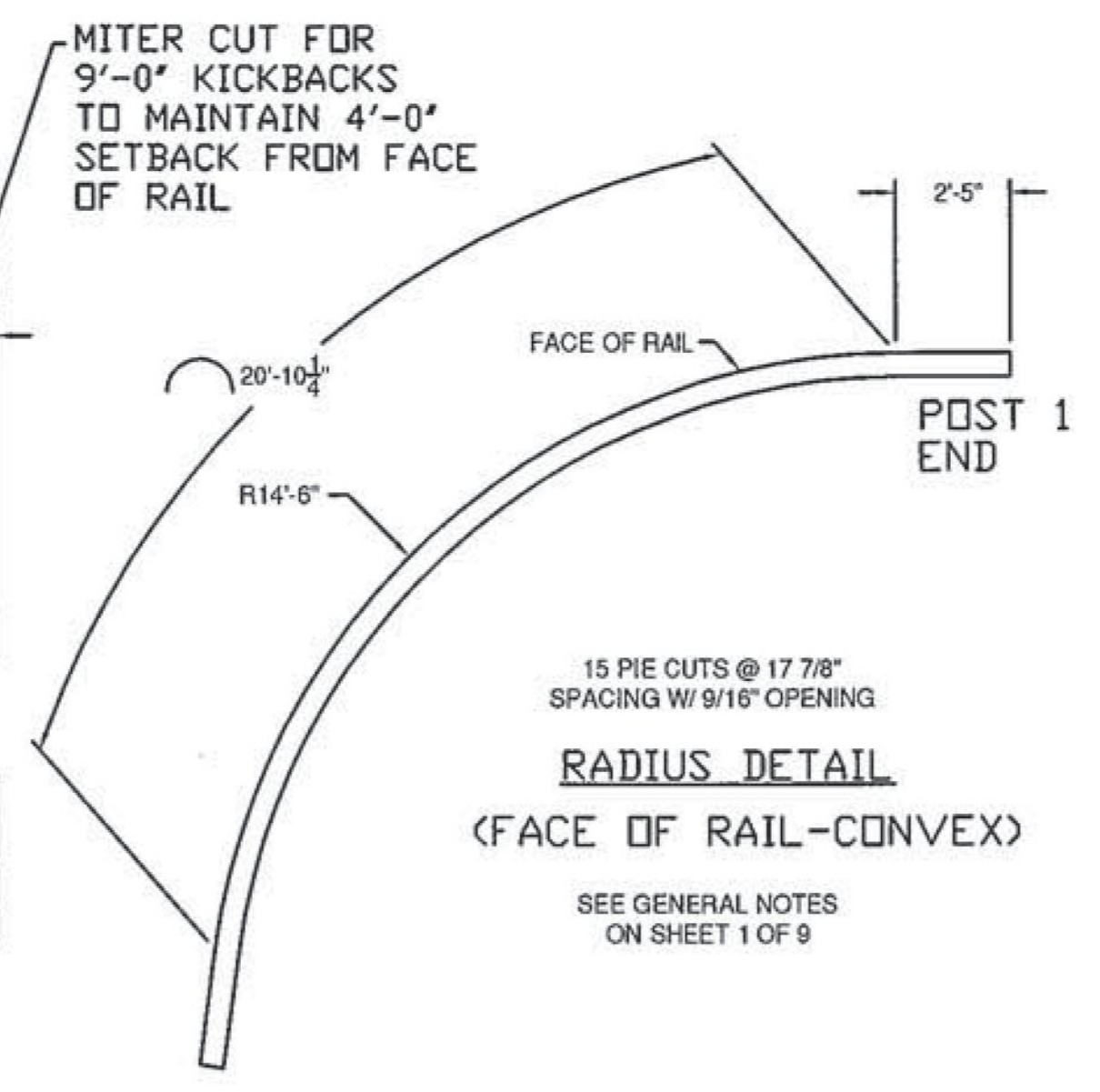


TOP VIEW



SIDE VIEW

SW BOTTOM RAIL
PRIOR TO FORMING



RADIUS DETAIL
(FACE OF RAIL-CONVEX)
SEE GENERAL NOTES
ON SHEET 1 OF 9

Vermont Agency of Transportation
RECEIVED
CK'D BY VHB OK'D BY TAS
March 14, 2017
RESUBMIT APPROVED YES
BY T Sumner DATE 3/16/17

SHOP DRAWING REVIEW

REVIEWED AS REQUIRED BY THE CONSTRUCTION CONTRACT DOCUMENTS AND APPROVED, BUT ONLY FOR CONFORMANCE TO THE DESIGN CONCEPT OF THE WORK, AND SUBJECT TO FURTHER LIMITATIONS AND REQUIREMENTS CONTAINED IN THE CONSTRUCTION CONTRACT DOCUMENTS.

REJECTED REVISE AND RESUBMIT FURNISH AS CORRECTED

CORRECTIONS OR COMMENTS MADE ON THE SHOP DRAWINGS DURING THIS REVIEW DO NOT RELIEVE CONTRACTOR FROM COMPLIANCE WITH REQUIREMENTS OF THE DRAWINGS AND SPECIFICATIONS. THIS CHECK IS ONLY FOR REVIEW OF GENERAL CONFORMANCE WITH THE DESIGN CONCEPT OF THE PROJECT AND GENERAL COMPLIANCE WITH THE INFORMATION GIVEN IN THE CONTRACT DOCUMENTS. THE CONTRACTOR IS RESPONSIBLE FOR: CONFIRMING AND CORRELATING ALL QUANTITIES AND DIMENSIONS; SELECTING FABRICATION PROCESSES AND TECHNIQUES OF CONSTRUCTION; COORDINATING HIS WORK WITH THAT OF ALL OTHER TRADES; AND PERFORMING HIS WORK IN A SAFE AND SATISFACTORY MANNER.

vhb 40 IDX Drive
Building 100, Suite 200
South Burlington, VT 05403
802.497.6100

Job Number: BRF 025-1(42)
Reviewed By: E.F. LAWES
Date: MARCH 15, 2017

ITEM #: 900.620
STRUCTURAL STEEL TO COMPLY W/ ASTM A6
TOLERANCE UNLESS OTHERWISE NOTED:
FRACTIONS = ± 1/16"
ANGLES = ± 1/2"
DIAMETERS = ± 1/32"

SPECIAL PROVISION, GUIDERAIL APPROACH SYSTEM, GALVANIZED 2 RAIL BB				SHEET 5 OF 9					
PROJECT 111 BRF 025-1(42), T.H. 1 (V.T. 103) CLASS I (PRINCIPAL ARTERIAL) F.A.S. 025-1, BRIDGE # 25 TOWN OF LUDLOW, WINDSOR COUNTY									
R	NO.	DATE	DESCRIPTION	BY	R	NO.	DATE	DESCRIPTION	BY
E	1	3/1/17	REVISED PER 2/23/17 MARK-UP	D.K.	E				
V	2	3/14/17	REVISED PER 3/10/17 MARK-UP	D.K.	V				

DRAWN	D.K.	1/3/17
CHECKED	E.P.	1/3/17
APPROVED	D.L.	1/3/17
SCALE	SCHEMATIC	
DRAWING NO. FR LaFayette LUDLOW-T		

ELDERLEE, INC.
OAKS CORNERS, NEW YORK 14518
email: dlong@elderlee.com / speak@elderlee.com
Tel: 315-789-6670 Fax: 315-789-6615