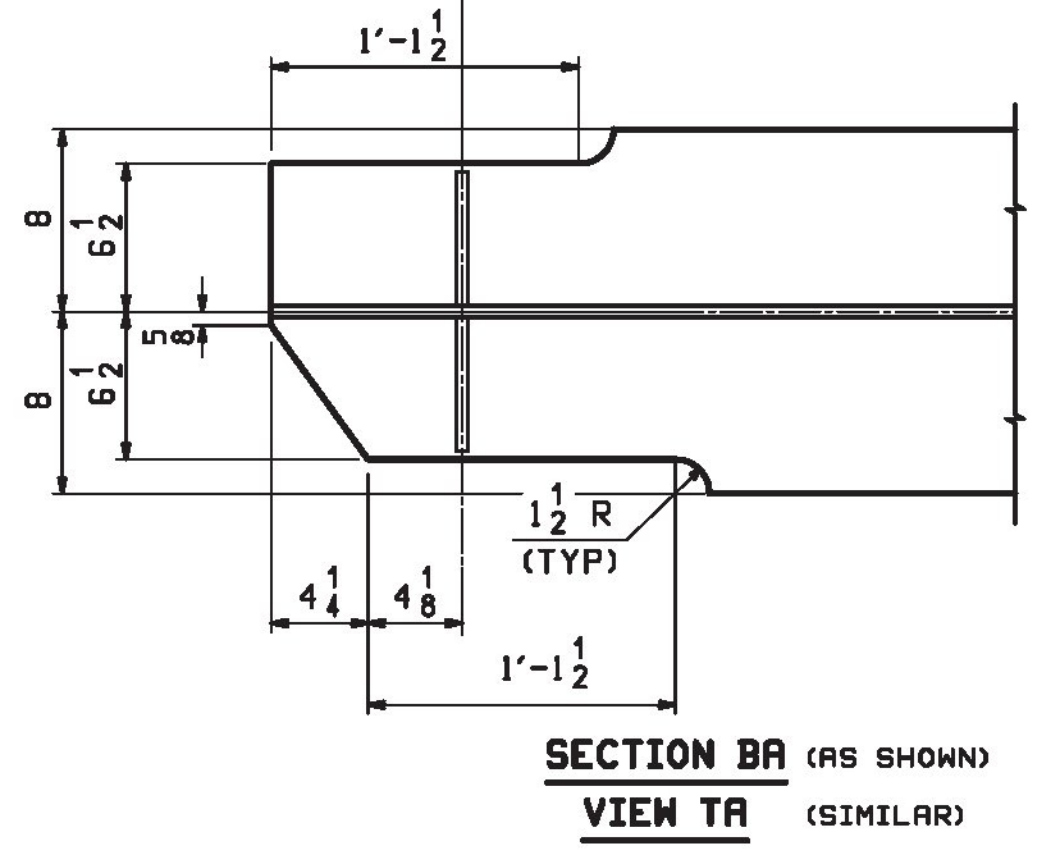


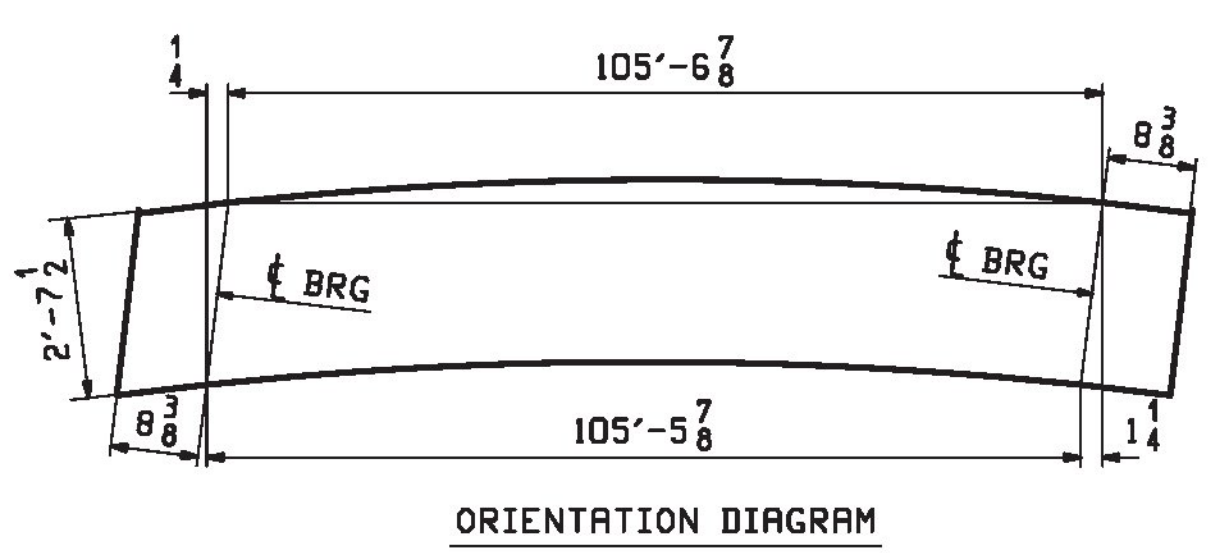
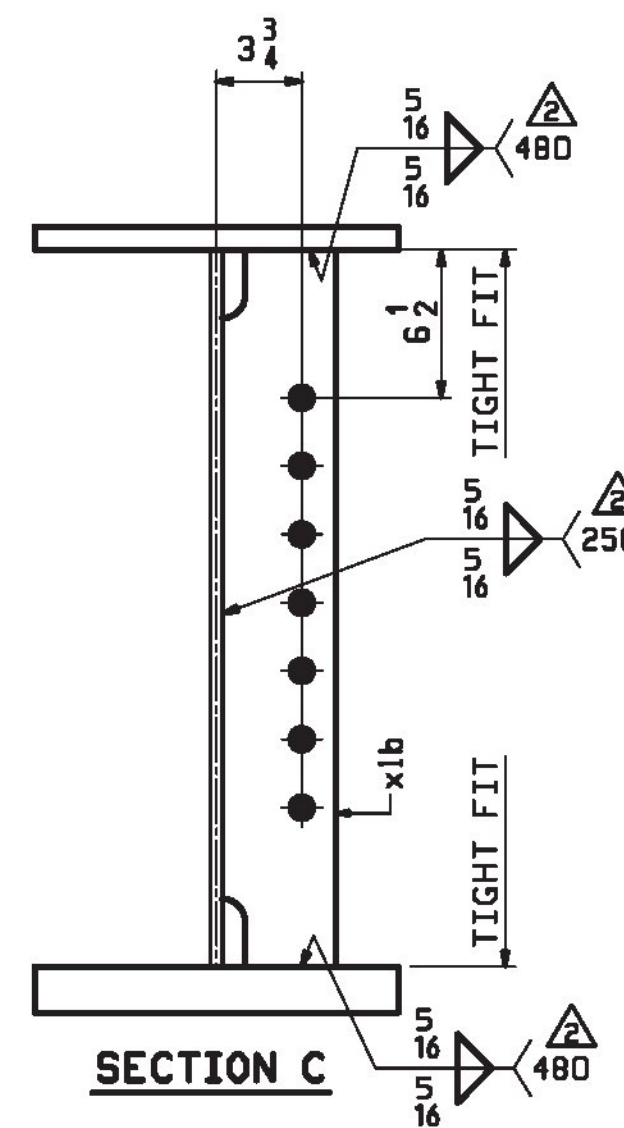
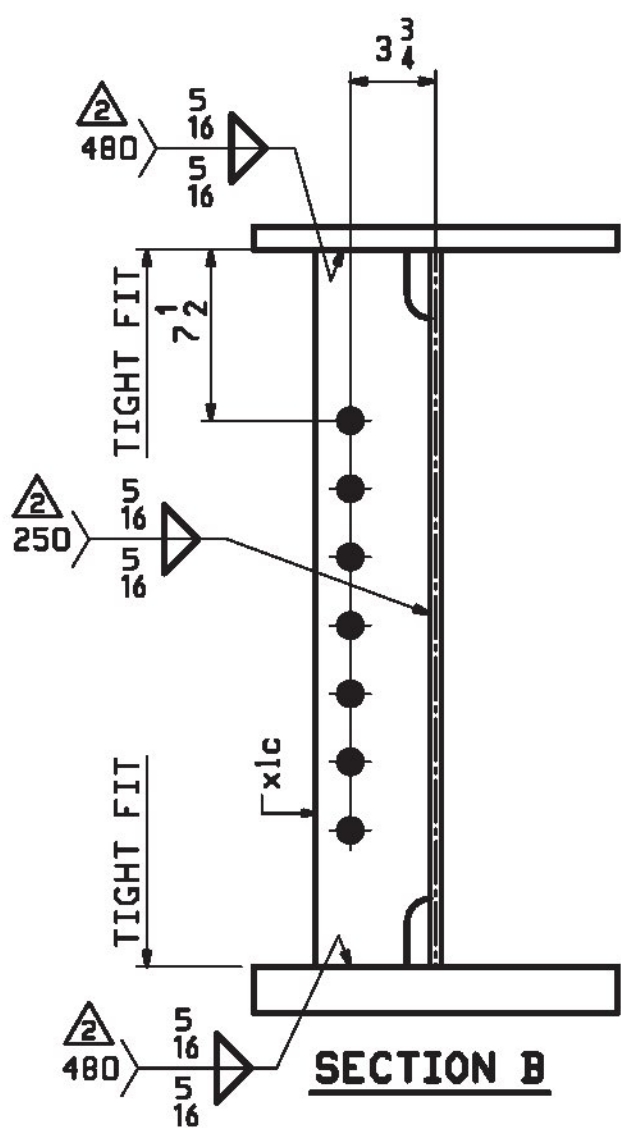
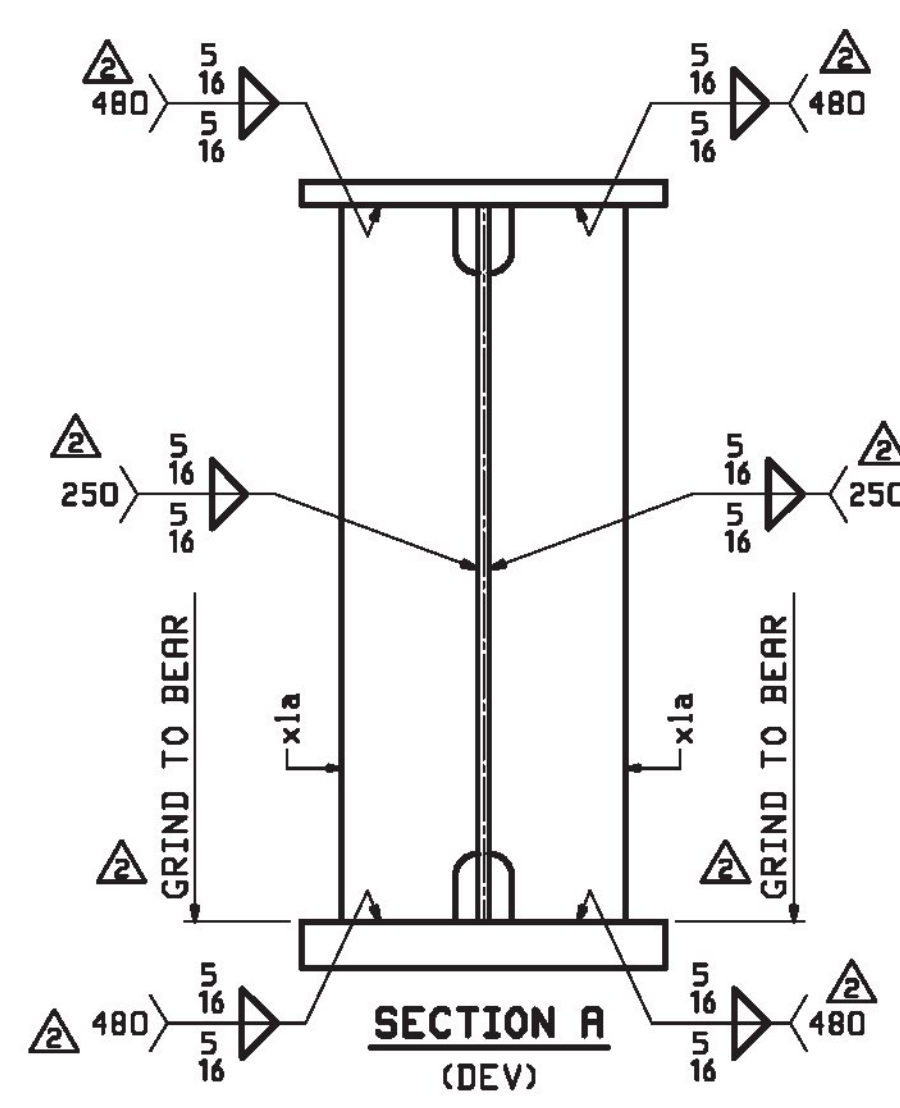
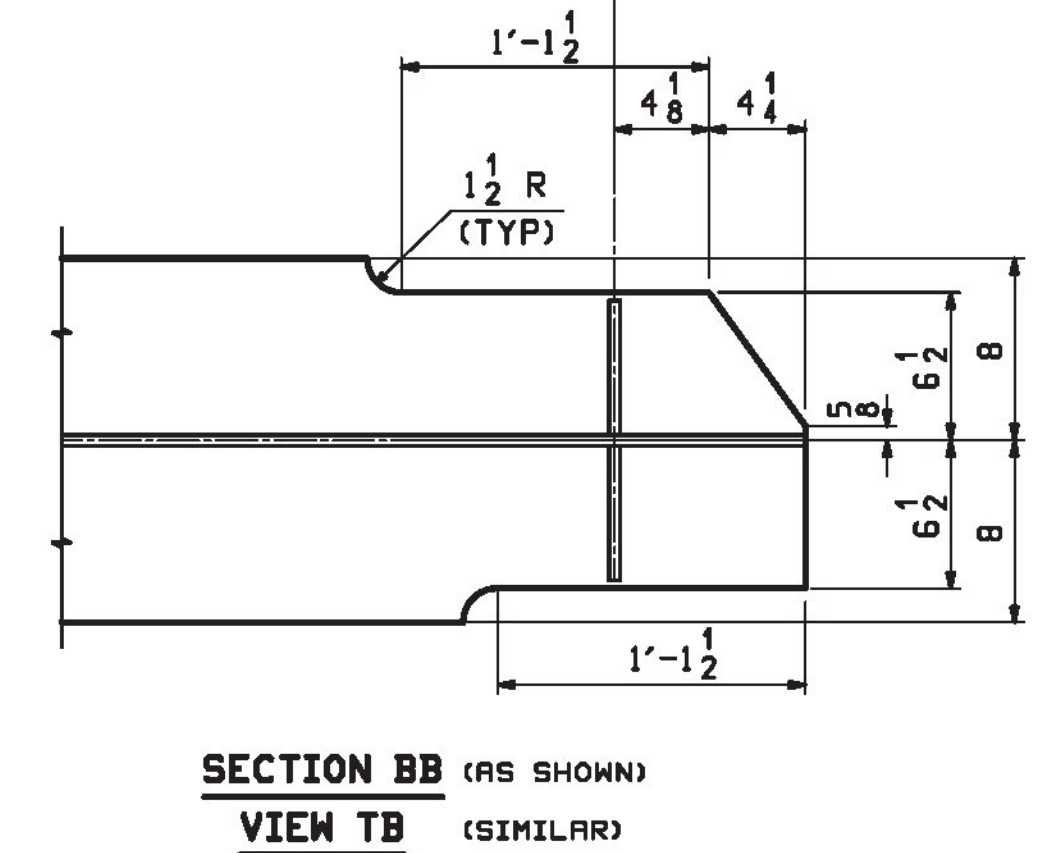
BILL OF MATERIAL					JOB NO.	DRAWING NO.	REV.
					584	11	II
PAGE LINE	MARK	QTY	MARK	MATERIAL	LENGTH FT INCHES	REMARKS	PROCUREMENT NOTES
	11G11	1		GIRDER			23279
1	G	1	wa	PL 1/2 x 31 1/2	70 0 5/16	M270-S0T2	3753
1	J	1	wb	PL 2 x 31 1/2	36 11 1/8	M270-S0T2	1983
1	L	1	ta	PL 5/8 x 16	36 11 3/8		1761
1	E	1	tb	PL 5/8 x 16	70 0	M270-S0T2	3335
1	C	1	ba	PL 2 x 16	36 10 3/8	M270-S0T2	4018
1	A	1	bb	PL 2 x 16	69 11 7/8	M270-S0T2	7621
2	B	4	x1a	PL 1/2 x 6	2 7 1/2	(MIE)	40
2	C	5	x1b	PL 2 x 5	2 7 1/2		22
2	C	5	x1c	PL 2 x 5	2 7 1/2		22
3	B	321		STUD 7/8 #	0 7	R108	1



**ONE - GIRDER - 11G11**

FOR STANDARD DETAILS SEE SHEET X1  
 FOR CAMBER DIAGRAM SEE SHEET C1  
 FOR FLANGE DIAGRAM SEE SHEET C1  
 FOR GENERAL NOTES SEE SHEET GNI  
 T2 DENOTES MATERIAL SUBJECT TO CHARPY V-NOTCH TESTING

Vermont Agency of Transportation  
**RECEIVED**  
 CK'D BY VHB OK'D BY TAS  
 March 31, 2017  
 RESUBMIT          APPROVED YES  
 BY T Sumner DATE 4/11/17



**SHOP DRAWING REVIEW**

REVIEWED AS REQUIRED BY THE CONSTRUCTION CONTRACT DOCUMENTS AND APPROVED, BUT ONLY FOR CONFORMANCE TO THE DESIGN CONCEPT OF THE WORK, AND SUBJECT TO FURTHER LIMITATIONS AND REQUIREMENTS CONTAINED IN THE CONSTRUCTION CONTRACT DOCUMENTS.

REJECT  
 REVISE AND RESUBMIT  
 FURNISH AS CORRECTED

CORRECTIONS OR COMMENTS MADE ON THE SHOP DRAWINGS DURING THIS REVIEW DO NOT RELIEVE CONTRACTOR FROM COMPLIANCE WITH REQUIREMENTS OF THE DRAWINGS AND SPECIFICATIONS. THIS CHECK IS ONLY FOR REVIEW OF GENERAL CONFORMANCE WITH THE DESIGN CONCEPT OF THE PROJECT AND GENERAL COMPLIANCE WITH THE INFORMATION GIVEN IN THE CONTRACT DOCUMENTS. THE CONTRACTOR IS RESPONSIBLE FOR CONFIRMING AND CORRELATING ALL QUANTITIES AND DIMENSIONS; SELECTING FABRICATION PROCESSES AND TECHNIQUES OF CONSTRUCTION; COORDINATING HIS WORK WITH THAT OF ALL OTHER TRADES; AND PERFORMING HIS WORK IN A SAFE AND SATISFACTORY MANNER.

40 IDX Drive  
 Building 100, Suite 200  
 South Burlington, VT 05403  
**vhb**

Job Number: BRF 025-1(42)  
 Reviewed By: E.F. LAVES  
 Date: April 11, 2017

REV.	DATE	REMARKS	DWN	CHK	APVL	SHOP
03/09/2017		APPROVAL COMMENTS	ATD	PCP		
01/05/2017		ADD STIFFENERS (EXTRA-TEC-3429-001)	ATD	PCP		
0						

MATERIAL: M270-50 (UN) SURFACE PREP. & PRINT: SEE DWG GNI HOLES: 15/16 # (UN) SHOP BOLTS: NONE

DESCRIPTION: GIRDER - 11G11

CASCO BAY STEEL STRUCTURES, INC.  
 1 WALLACE AVE. PHONE (207) 780-6722  
 SOUTH PORTLAND, ME 04106 FRX. (207) 780-6726

STRUCTURE: VT RTE 103 (MAIN STREET) OVER BLACK RIVER BRIDGE NO. 25  
 ROUTE T.H.1 (VT 103) CLASS 1 F.R.S. 025-1

LOCATION: TOWN OF LUDLOW, WINDSOR COUNTY, VT  
 PROJ NO. BRF 025-1(42)  
 CUSTOMER: COLD RIVER BRIDGES, L.L.C.

DRAWN: ATD DATE: 12/07  
 CHKD: PCP DATE: 12/13

JOB NO. 584 DWG NO. 11 REV. II