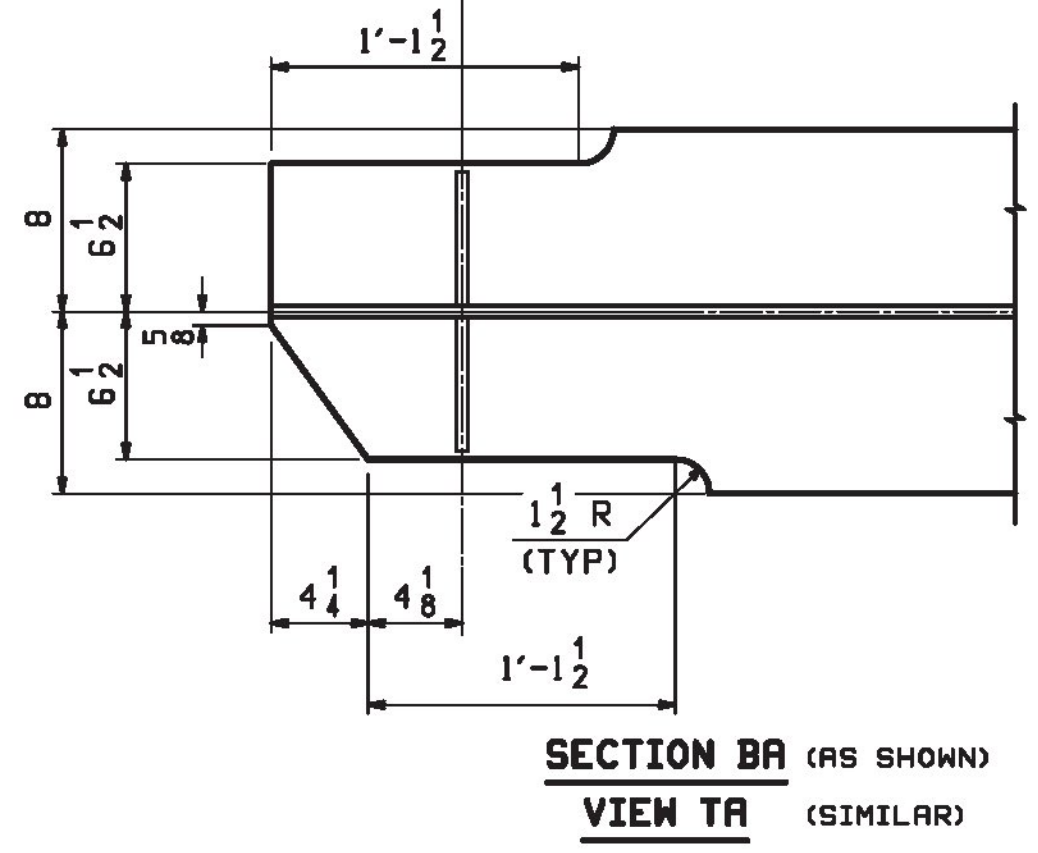


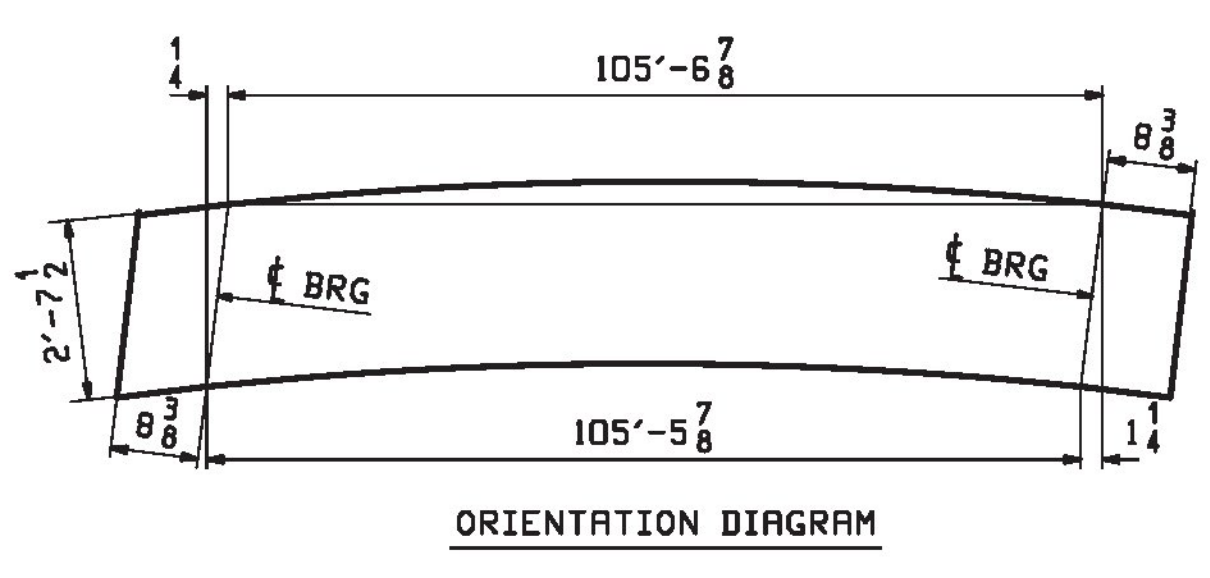
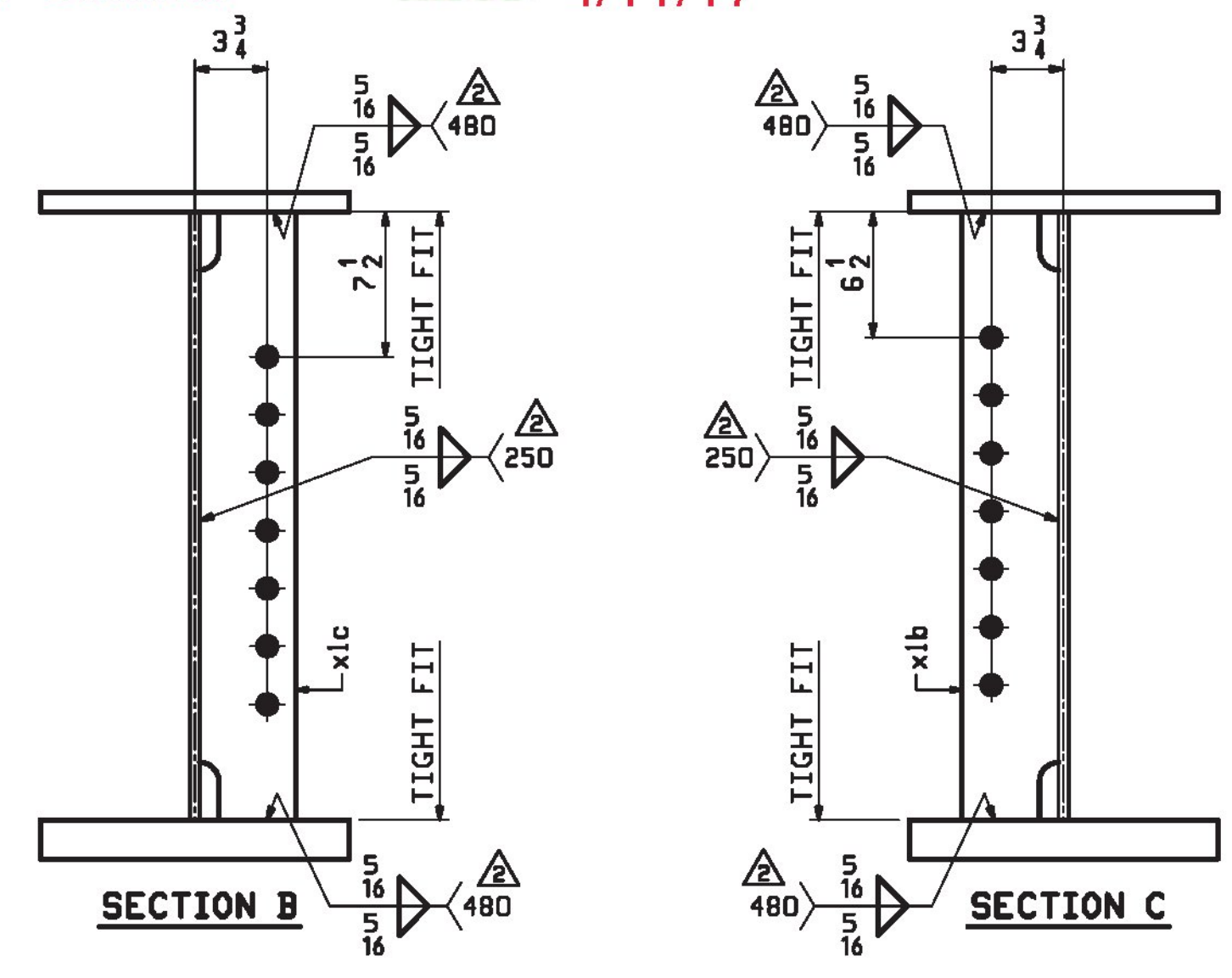
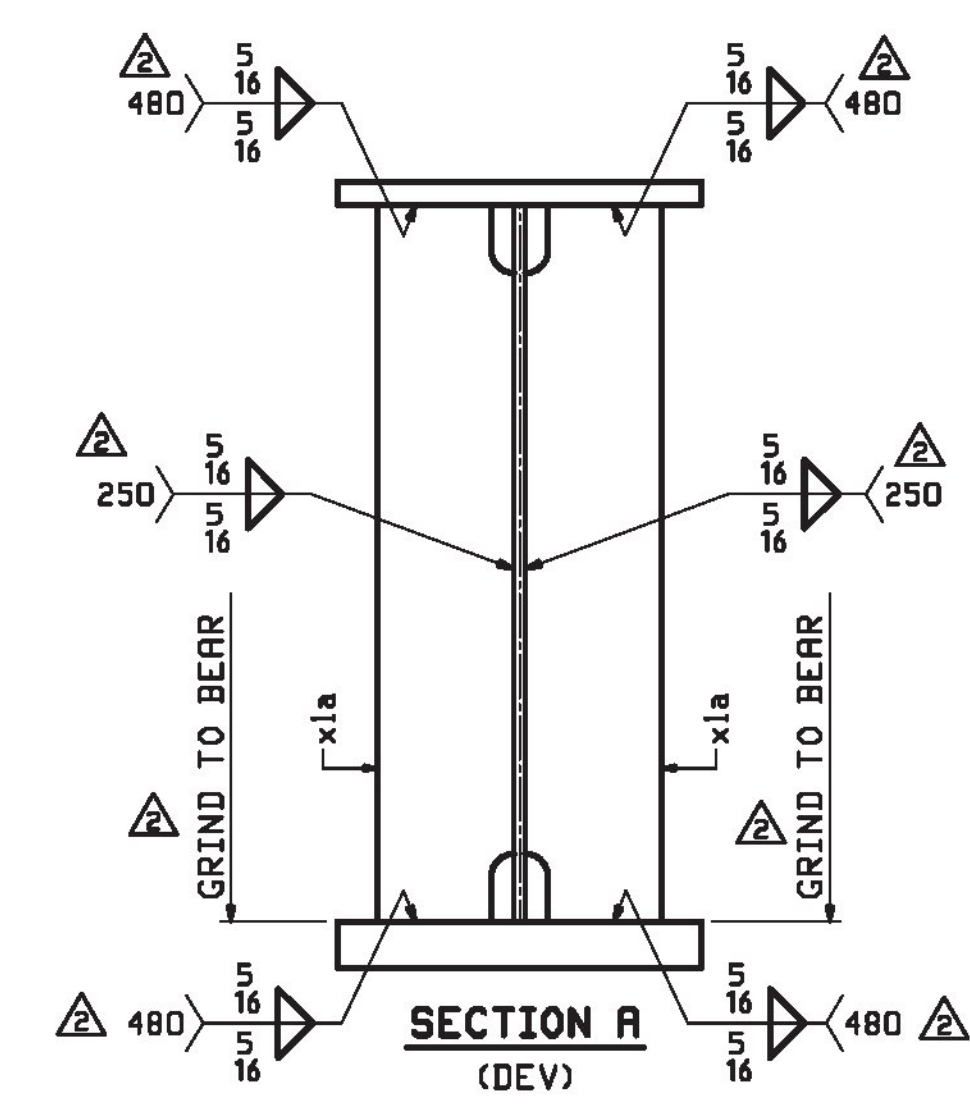
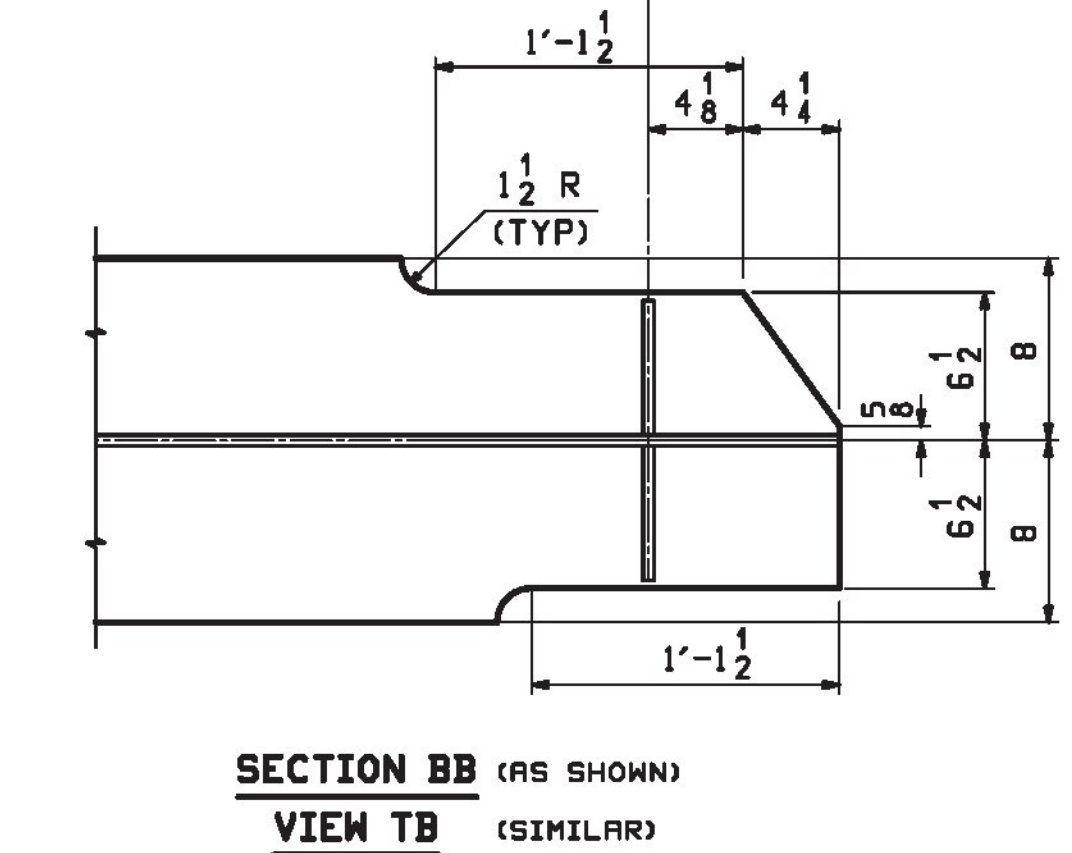
| BILL OF MATERIAL | | | | | JOB NO. | DRAWING NO. | REV. |
|------------------|------|-----|----------|---------------------|-----------|-------------|-------------------|
| | | | | | 584 | 4 | 4 |
| PAGE LINE | MARK | QTY | MATERIAL | LENGTH FT INCHES | REMARKS | HT | PROCUREMENT NOTES |
| | 4G4 | 1 | GIRDER | | | 23279 | |
| 1 | G | 1 | wa | PL 1/2 x 31 1/2 | 70 0 5/16 | M270-S0T2 | 3753 |
| 1 | J | 1 | wb | PL 2 x 31 1/2 | 36 11 1/8 | M270-S0T2 | 1983 |
| 1 | L | 1 | ta | PL 5/8 x 16 | 36 11 3/8 | | 1761 |
| 1 | E | 1 | tb | PL 5/8 x 16 | 70 0 | M270-S0T2 | 3335 |
| 1 | C | 1 | ba | PL 2 x 16 | 36 10 3/8 | M270-S0T2 | 4018 |
| 1 | A | 1 | bb | PL 2 x 16 | 69 11 7/8 | M270-S0T2 | 7621 |
| 2 | B | 4 | x1a | PL 1/2 x 6 | 2 7 1/2 | (MIE) | 40 |
| 2 | C | 5 | x1b | PL 2 x 5 | 2 7 1/2 | | 22 |
| 2 | C | 5 | x1c | PL 2 x 5 | 2 7 1/2 | | 22 |
| 3 | B | 321 | STUD | 7/8 # | 0 7 | RI08 | 1 |



ONE - GIRDER - 4G4

FOR STANDARD DETAILS SEE SHEET X1
 FOR CAMBER DIAGRAM SEE SHEET C1
 FOR FLANGE DIAGRAM SEE SHEET C1
 FOR GENERAL NOTES SEE SHEET GNI
 T2 DENOTES MATERIAL SUBJECT TO CHARPY V-NOTCH TESTING

Vermont Agency of Transportation
RECEIVED
 CK'D BY VHB OK'D BY TAS
 March 31, 2017
 RESUBMIT APPROVED YES
 BY T Sumner DATE 4/11/17



SHOP DRAWING REVIEW

REVIEWED AS REQUIRED BY THE CONSTRUCTION CONTRACT DOCUMENTS AND APPROVED, BUT ONLY FOR CONFORMANCE TO THE DESIGN CONCEPT OF THE WORK, AND SUBJECT TO FURTHER LIMITATIONS AND REQUIREMENTS CONTAINED IN THE CONSTRUCTION CONTRACT DOCUMENTS.

REJECTED REVISE AND RESUBMIT FURNISH AS CORRECTED

CORRECTIONS OR COMMENTS MADE ON THE SHOP DRAWINGS DURING THIS REVIEW DO NOT RELIEVE CONTRACTOR FROM COMPLIANCE WITH REQUIREMENTS OF THE DRAWINGS AND SPECIFICATIONS. THIS CHECK IS ONLY FOR REVIEW OF GENERAL CONFORMANCE WITH THE DESIGN CONCEPT OF THE PROJECT AND GENERAL COMPLIANCE WITH THE INFORMATION GIVEN IN THE CONTRACT DOCUMENTS. THE CONTRACTOR IS RESPONSIBLE FOR CONFIRMING AND CORRELATING ALL QUANTITIES AND DIMENSIONS; SELECTING FABRICATION PROCESSES AND TECHNIQUES OF CONSTRUCTION; COORDINATING HIS WORK WITH THAT OF ALL OTHER TRADES; AND PERFORMING HIS WORK IN A SAFE AND SATISFACTORY MANNER.

Job Number: BRF 025-1(42)
 Reviewed By: J.E. LAMES
 Date: April 11, 2017

40 IDX Drive
 Building 100, Suite 200
 South Burlington, VT 05403
 802.497.6100

vhb

| REV. | DATE | REMARKS | DWN | CHK | APVL | SHOP |
|-------|------|-------------------------------------|-----|-----|------|------|
| 03/08 | 2017 | APPROVAL COMMENTS | ATD | PCP | | |
| 01/05 | 2017 | ADD STIFFENERS (EXTRA-TEC-3429-001) | ATD | PCP | | |
| 0 | | | | | | |

MATERIAL: SURFACE PREP. & PRINT: HOLES: SHOP BOLTS:
 M270-50 (UN) SEE DWG GNI 1 1/2 # (UN) NONE

DESCRIPTION: GIRDER - 4G4

CASCO BAY STEEL STRUCTURES, INC.
 1 WALLACE AVE. PHONE (207) 780-6722
 SOUTH PORTLAND, ME 04106 FRX. (207) 780-6726

STRUCTURE: VT RTE 103 (MAIN STREET) OVER BLACK RIVER BRIDGE NO. 25
 ROUTE T.H.1 (VT 103) CLASS I F.R.S. 025-1

LOCATION: TOWN OF LUDLOW, WINDSOR COUNTY, VT
 PROJ NO. BRF 025-1(42)
 CUSTOMER: COLD RIVER BRIDGES, LLC.

DRAWN: ATD DATE: 12/07
 CHECKED: PCP DATE: 12/13

JOB NO. 584 DWG NO. 4
 REV. 4