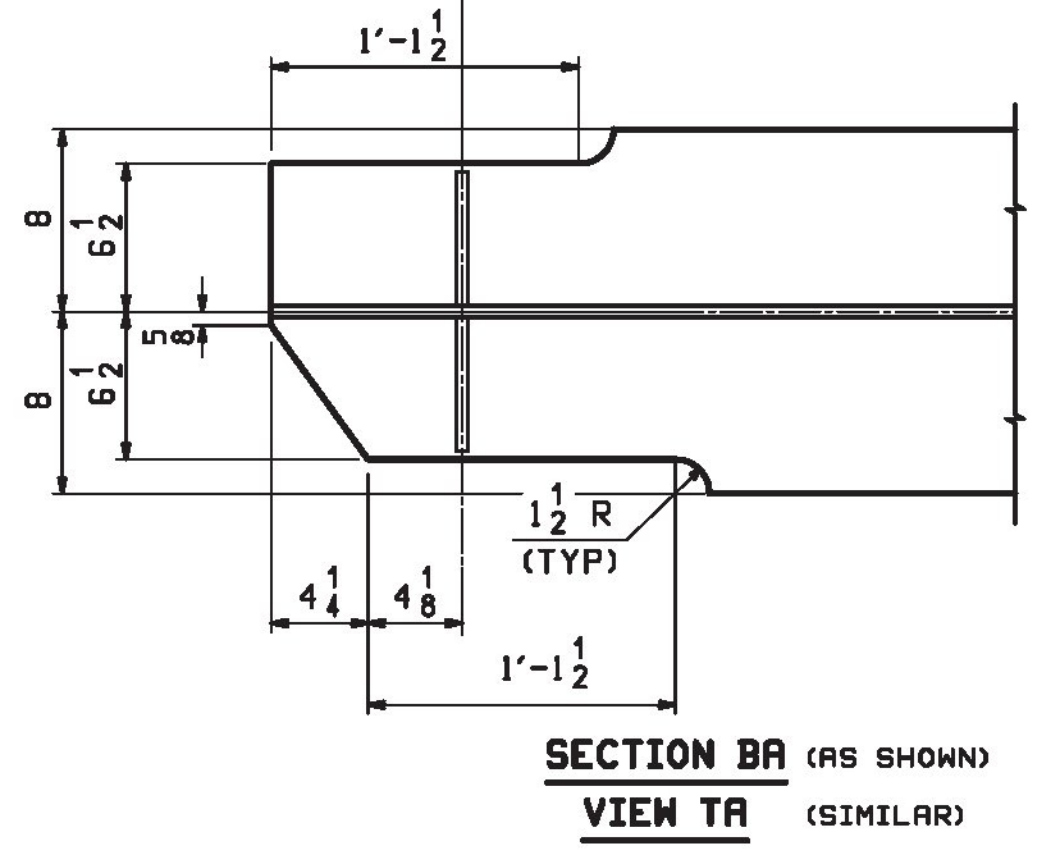


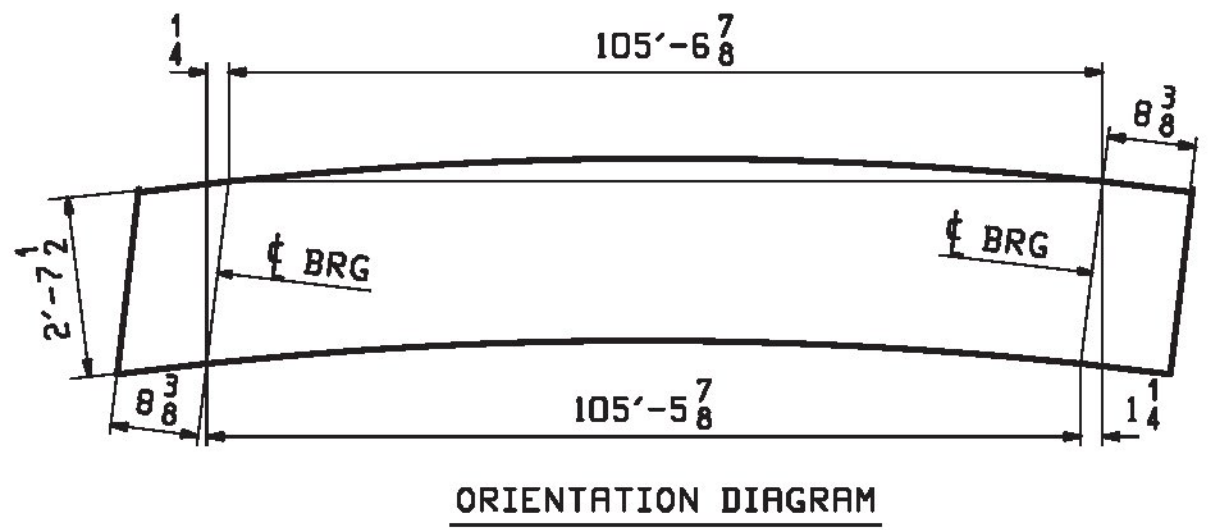
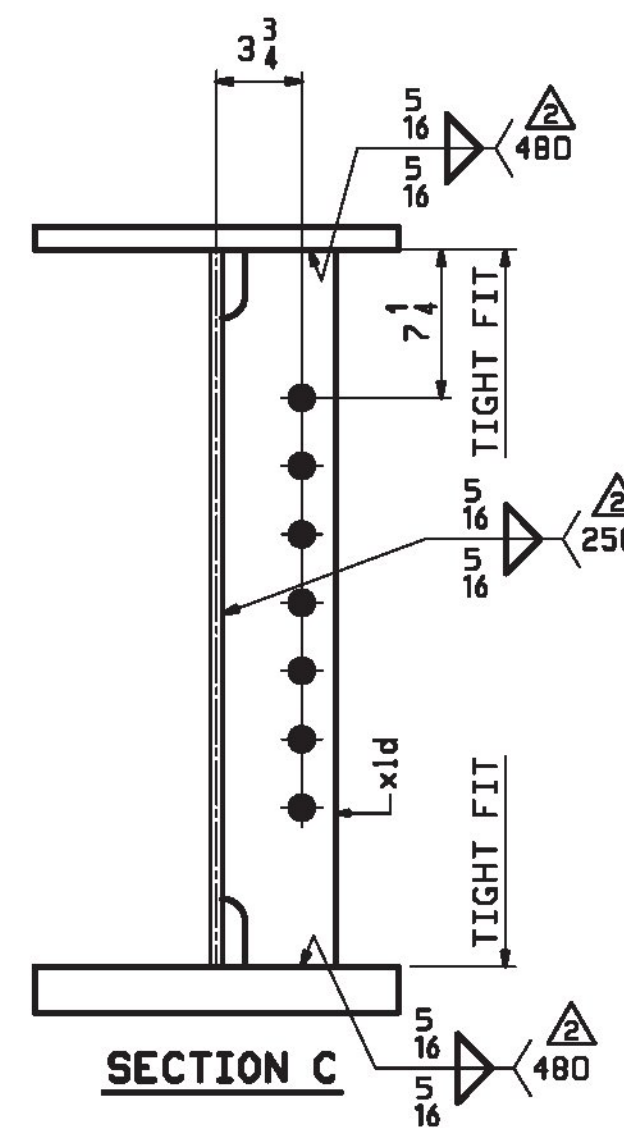
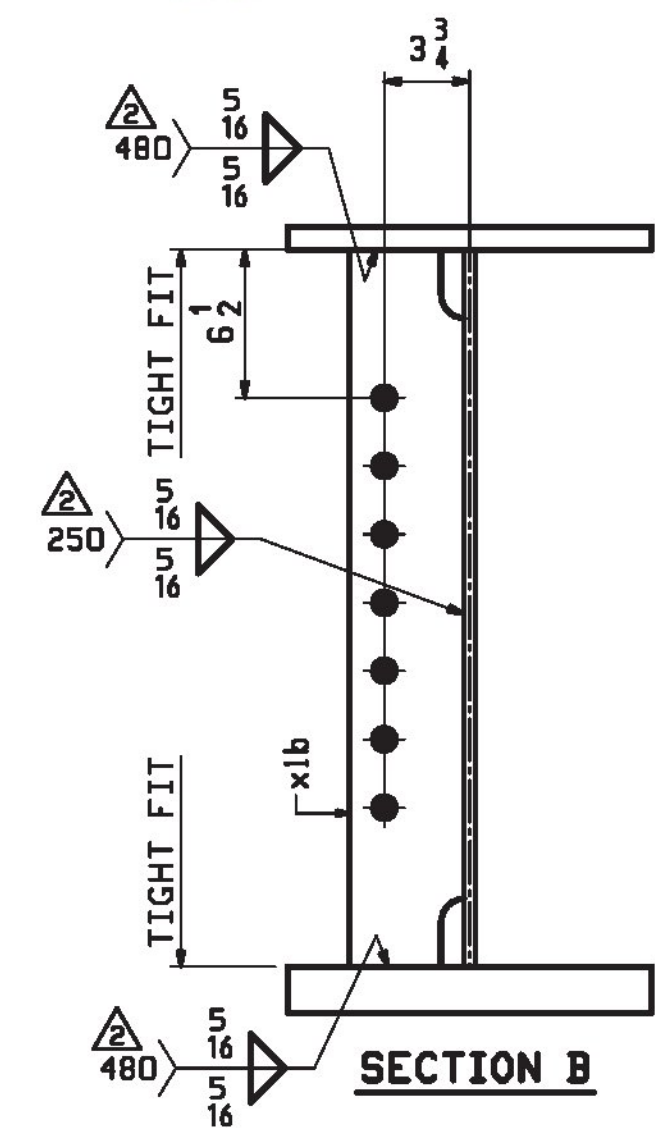
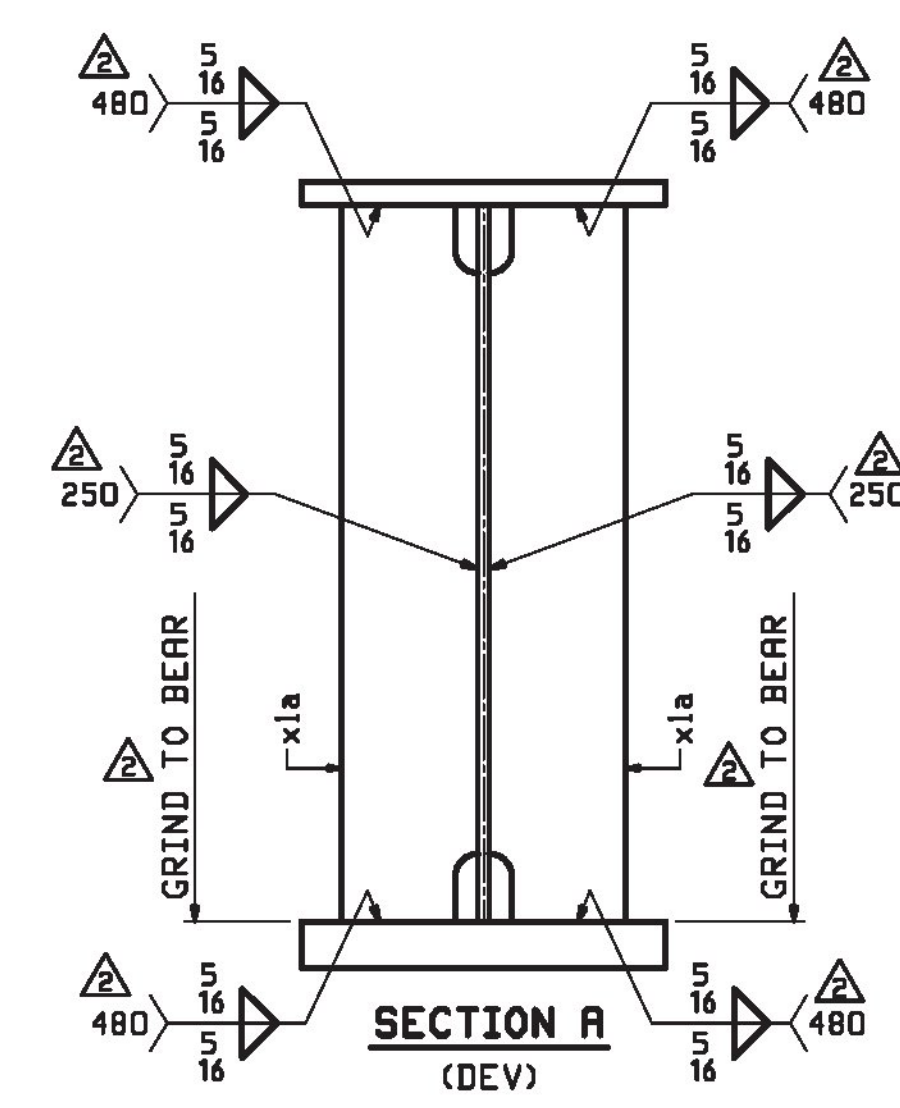
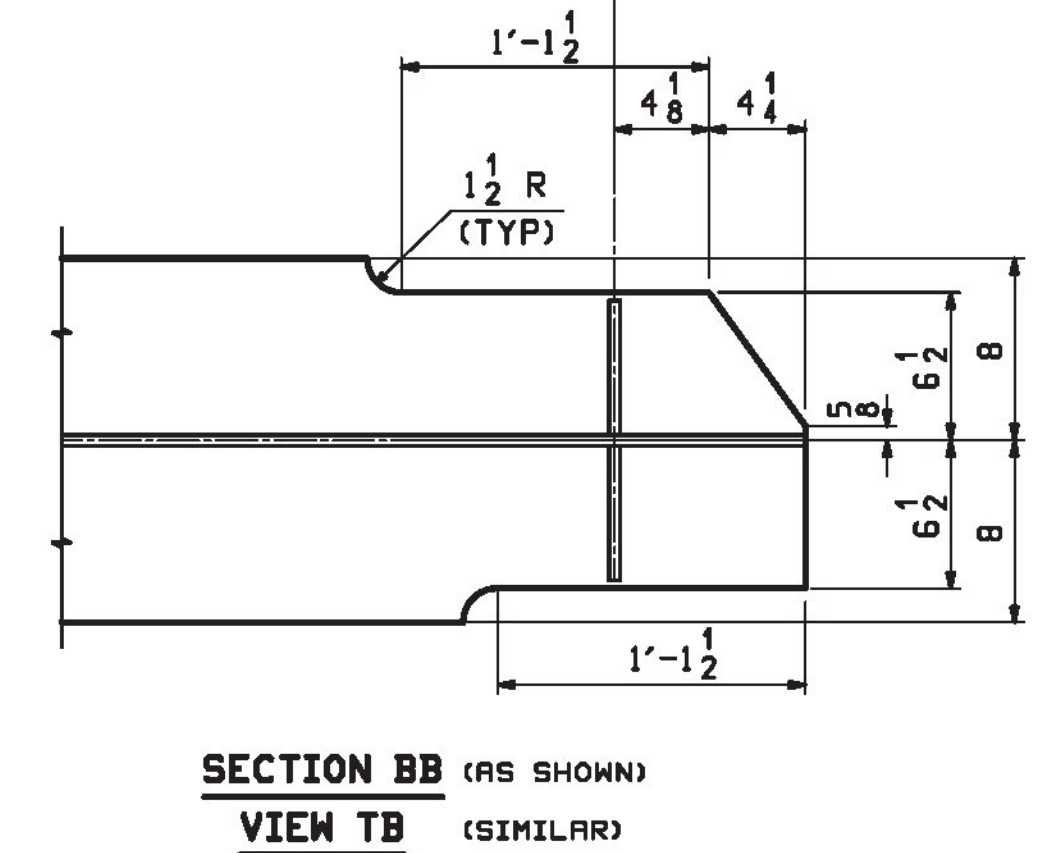
BILL OF MATERIAL					JOB NO.	DRAWING NO.	REV.
					584	3	
PAGE LINE	MARK	QTY	MARK	MATERIAL	LENGTH FT INCHES	REMARKS	PROCUREMENT NOTES
	3G3	1		GIRDER			23279
1	G	1	wa	PL 1/2 x 31 1/2	70 0 5/16	M270-S0T2	3753
1	J	1	wb	PL 2 x 31 1/2	36 11 1/16	M270-S0T2	1983
1	L	1	ta	PL 5/8 x 16	36 11 8/16		1761
1	E	1	tb	PL 5/8 x 16	70 0	M270-S0T2	3335
1	C	1	ba	PL 2 x 16	36 10 3/8	M270-S0T2	4018
1	A	1	bb	PL 2 x 16	69 11 7/8	M270-S0T2	7621
2	B	4	x1a	PL 1/2 x 6	2 7 1/2	(MIE)	40
2	C	5	x1b	PL 2 x 5	2 7 1/2		22
2	C	5	x1d	PL 2 x 5	2 7 1/2		22
3	B	321		STUD 7/8 #	0 7	RI08	1



ONE - GIRDER - 3G3

FOR STANDARD DETAILS SEE SHEET XI
 FOR CAMBER DIAGRAM SEE SHEET C1
 FOR FLANGE DIAGRAM SEE SHEET C1
 FOR GENERAL NOTES SEE SHEET GNI
 T2 DENOTES MATERIAL SUBJECT TO CHARPY V-NOTCH TESTING

Vermont Agency of Transportation
RECEIVED
 CK'D BY VHB OK'D BY TAS
 March 31, 2017
 RESUBMIT APPROVED YES
 BY T Sumner DATE 4/11/17



SHOP DRAWING REVIEW

REVIEWED AS REQUIRED BY THE CONSTRUCTION CONTRACT DOCUMENTS AND APPROVED, BUT ONLY FOR CONFORMANCE TO THE DESIGN CONCEPT OF THE WORK, AND SUBJECT TO FURTHER LIMITATIONS AND REQUIREMENTS CONTAINED IN THE CONSTRUCTION CONTRACT DOCUMENTS.

REJECTED
 REVISE AND RESUBMIT
 FURNISH AS CORRECTED

CORRECTIONS OR COMMENTS MADE ON THE SHOP DRAWINGS DURING THIS REVIEW DO NOT RELIEVE CONTRACTOR FROM COMPLIANCE WITH REQUIREMENTS OF THE DRAWINGS AND SPECIFICATIONS. THIS CHECK IS ONLY FOR REVIEW OF GENERAL CONFORMANCE WITH THE DESIGN CONCEPT OF THE PROJECT AND GENERAL COMPLIANCE WITH THE INFORMATION GIVEN IN THE CONTRACT DOCUMENTS. THE CONTRACTOR IS RESPONSIBLE FOR: CONFIRMING AND CORRELATING ALL QUANTITIES AND DIMENSIONS; SELECTING FABRICATION PROCESSES AND TECHNIQUES OF CONSTRUCTION; COORDINATING HIS WORK WITH THAT OF ALL OTHER TRADES; AND PERFORMING HIS WORK IN A SAFE AND SATISFACTORY MANNER.

40 IDX Drive
 Building 100, Suite 200
 South Burlington, VT 05403
 802.497.6100

Job Number: BRF 025-1(42)
 Reviewed By: E.F. LAWES
 Date: April 11, 2017

vhb

REV.	DATE	REMARKS	DWN	CHK	APVL	SHOP
	03/08/2017	APPROVAL COMMENTS	ATD	PCP		
	01/05/2017	ADD STIFFENERS (EXTRA-TEC-3429-001)	ATD	PCP		

MATERIAL: M270-50 (UN) SURFACE PREP. & PRINT: SEE DWG GNI HOLES: 15/16 # (UN) SHOP BOLTS: NONE

DESCRIPTION: GIRDER - 3G3

CASCO BAY STEEL STRUCTURES, INC.
 1 WALLACE AVE. PHONE (207) 780-6722
 SOUTH PORTLAND, ME 04106 FRX. (207) 780-6726

STRUCTURE: VT RTE 103 (MAIN STREET) OVER BLACK RIVER BRIDGE NO. 25
 ROUTE T.H.1 (VT 103) CLASS 1 F.R.S. 025-1

LOCATION: TOWN OF LUDLOW, WINDSOR COUNTY, VT
 PROJ NO. BRF 025-1(42)
 CUSTOMER: COLD RIVER BRIDGES, LLC.

DRAWN: ATD DATE: 12/07
 CHECKED: PCP DATE: 12/13

JOB NO. 684 DWG NO. 3

PC: Rev. No. 13, B01, 2/14/03 PM /user/104/2405/1_Rev2