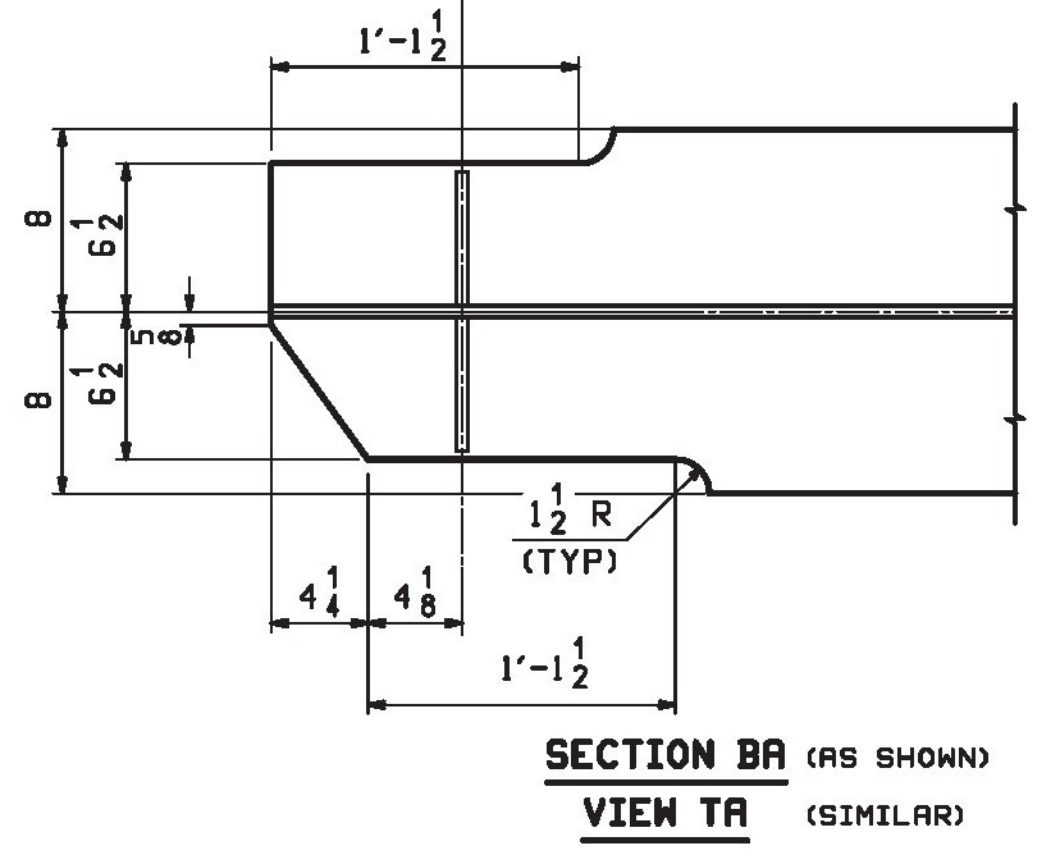
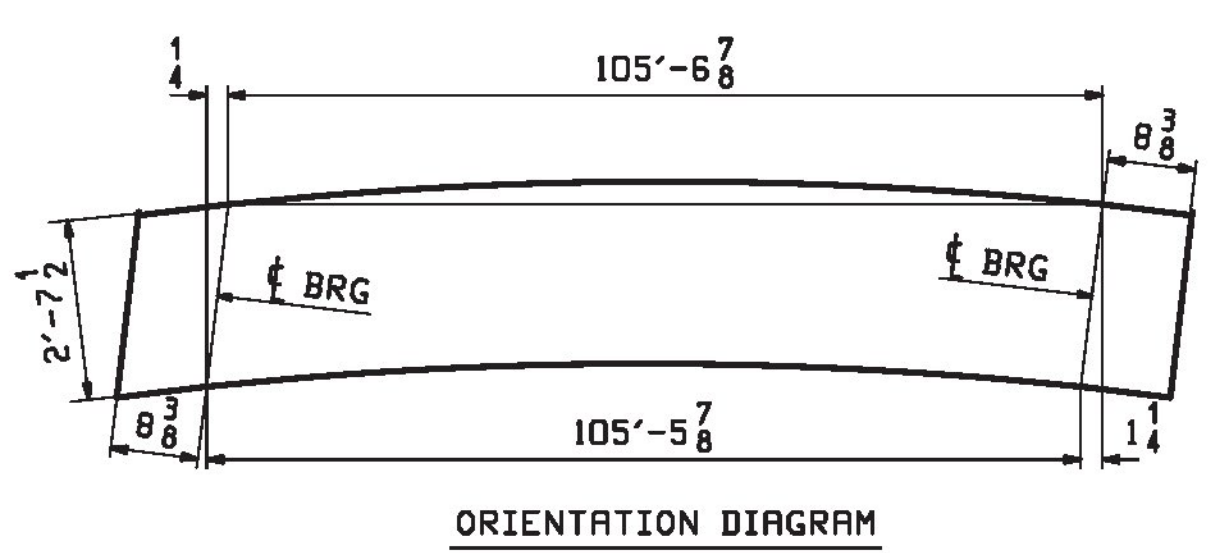
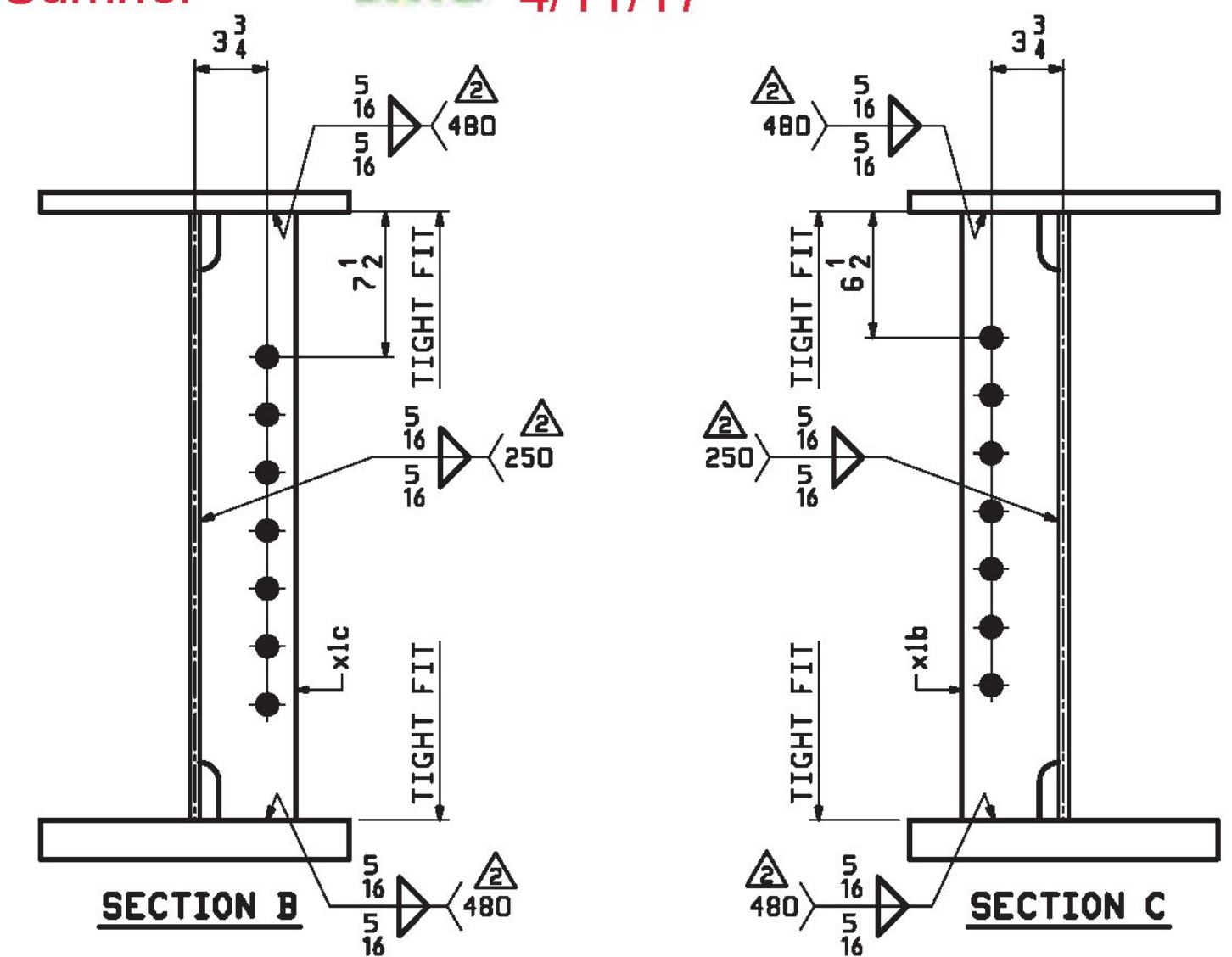
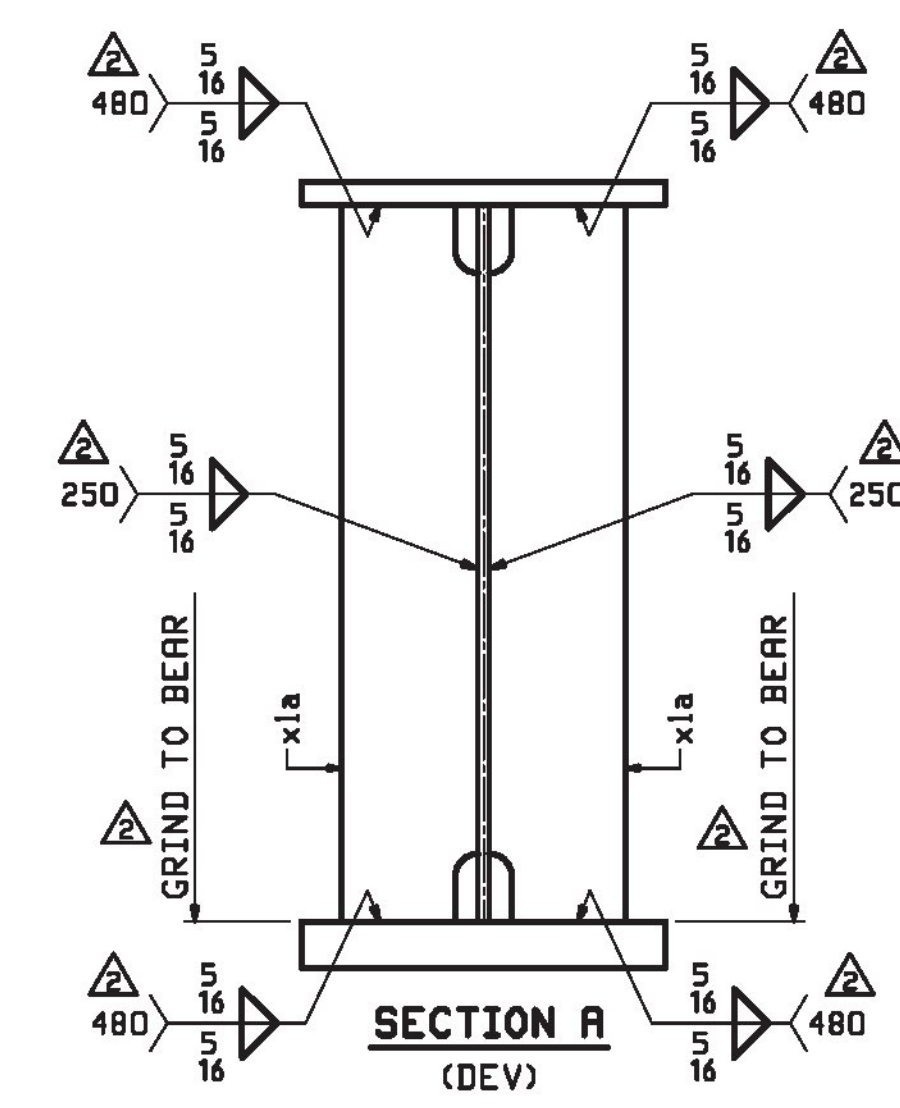
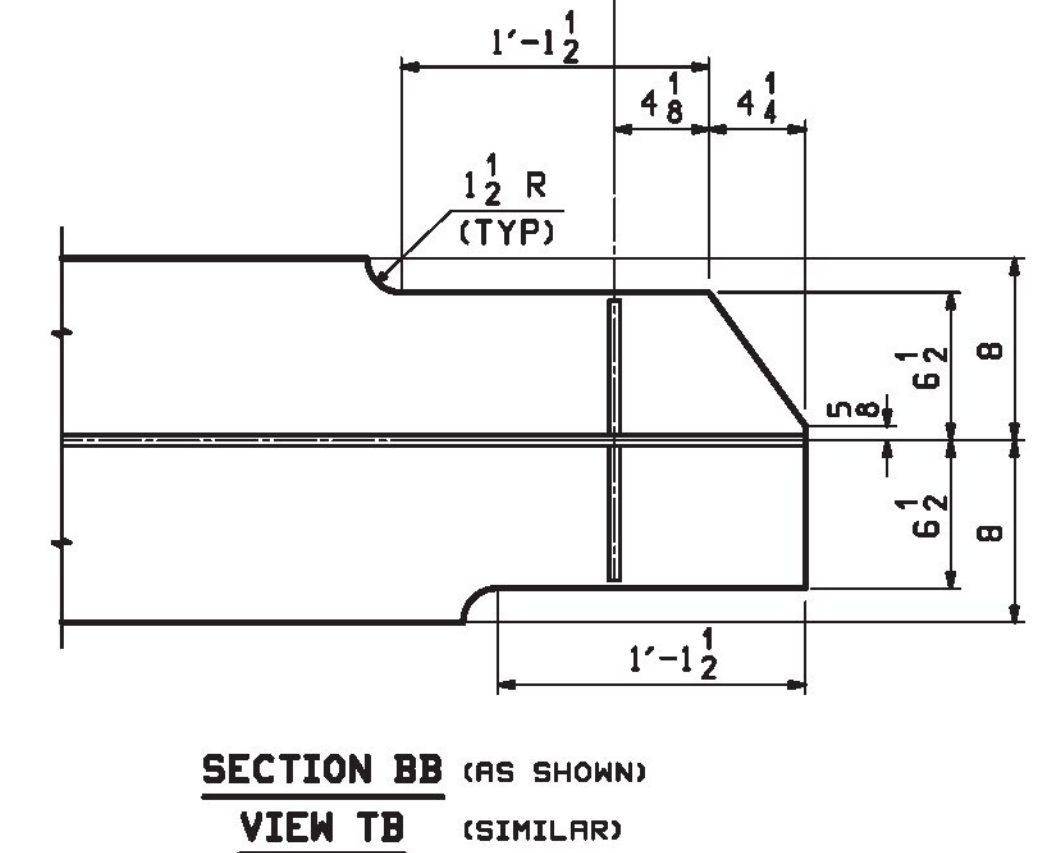


BILL OF MATERIAL					JOB NO.	DRAWING NO.	REV.
					584	2	
PAGE LINE	MARK	QTY	MATERIAL	LENGTH FT INCHES	REMARKS	HT	PROCUREMENT NOTES
	2G2	1	GIRDER			23279	
1	G	1	wa	PL 1/2 x 3 1/2	70 0 5/16	M270-S0T2	3753
1	J	1	wb	PL 2 x 3 1/2	36 11 1/8	M270-S0T2	1983
1	L	1	ta	PL 5/8 x 16	36 11 3/8		1761
1	E	1	tb	PL 5/8 x 16	70 0	M270-S0T2	3335
1	C	1	ba	PL 2 x 16	36 10 3/8	M270-S0T2	4018
1	A	1	bb	PL 2 x 16	69 11 7/8	M270-S0T2	7621
2	B	4	x1a	PL 1/2 x 6	2 7 1/2	(MIE)	40
2	C	5	x1b	PL 1/2 x 5	2 7 1/2		22
2	C	5	x1c	PL 1/2 x 5	2 7 1/2		22
3	B	321		STUD 7/8 #	0 7	RI08	1



ONE - GIRDER - 2G2
 FOR STANDARD DETAILS SEE SHEET X1
 FOR CAMBER DIAGRAM SEE SHEET C1
 FOR FLANGE DIAGRAM SEE SHEET C1
 FOR GENERAL NOTES SEE SHEET GNI
 T2 DENOTES MATERIAL SUBJECT TO CHARPY V-NOTCH TESTING

Vermont Agency of Transportation
RECEIVED
 CK'D BY VHB OK'D BY TAS
 March 31, 2017
 RESUBMIT BY T Sumner APPROVED YES DATE 4/11/17



SHOP DRAWING REVIEW

REVIEWED AS REQUIRED BY THE CONSTRUCTION CONTRACT DOCUMENTS AND APPROVED, BUT ONLY FOR CONFORMANCE TO THE DESIGN CONCEPT OF THE WORK, AND SUBJECT TO FURTHER LIMITATIONS AND REQUIREMENTS CONTAINED IN THE CONSTRUCTION CONTRACT DOCUMENTS.

REJECTED REVISE AND RESUBMIT FURNISH AS CORRECTED

CORRECTIONS OR COMMENTS MADE ON THE SHOP DRAWINGS DURING THIS REVIEW DO NOT RELIEVE CONTRACTOR FROM COMPLIANCE WITH REQUIREMENTS OF THE DRAWINGS AND SPECIFICATIONS. THIS CHECK IS ONLY FOR REVIEW OF GENERAL CONFORMANCE WITH THE DESIGN CONCEPT OF THE PROJECT AND GENERAL COMPLIANCE WITH THE INFORMATION GIVEN IN THE CONTRACT DOCUMENTS. THE CONTRACTOR IS RESPONSIBLE FOR: CONFIRMING AND CORRELATING ALL QUANTITIES AND DIMENSIONS; SELECTING FABRICATION PROCESSES AND TECHNIQUES OF CONSTRUCTION; COORDINATING HIS WORK WITH THAT OF ALL OTHER TRADES, AND PERFORMING HIS WORK IN A SAFE AND SATISFACTORY MANNER.

Job Number: BRF 025-1(42)
 Reviewed By: E.F. LAVES
 Date: April 11, 2017

40 IDX Drive
 Building 100, Suite 200
 South Burlington, VT 05403
 802.497.6100

REV.	DATE	REMARKS	DWN	CHK	APVL	SHOP
03/08/2017		APPROVAL COMMENTS	ATD	PCP		
01/05/2017		ADD STIFFENERS (EXTRA-TEC-3429-001)	ATD	PCP		
0						

MATERIAL: SURFACE PREP. & PRINT: HOLES: SHOP BOLTS:
 M270-50 (UN) SEE DWG GNI 1 1/2 # (UN) NONE

DESCRIPTION: GIRDER - 2G2

CASCO BAY STEEL STRUCTURES, INC.
 1 WALLACE AVE. PHONE (207) 780-6722
 SOUTH PORTLAND, ME 04106 FRX. (207) 780-6726

STRUCTURE: VT RTE 103 (MAIN STREET) OVER BLACK RIVER BRIDGE NO. 25
 ROUTE T.H.1 (VT 103) CLASS 1 F.R.S. 025-1

LOCATION: TOWN OF LUDLOW, WINDSOR COUNTY, VT
 PROJ NO. BRF 025-1(42)
 CUSTOMER: COLD RIVER BRIDGES, LLC.

DRAWN: ATD DATE: 12/07
 CHKD: PCP DATE: 12/13

JOB NO. 684 DWG NO. 2
 REV. 2