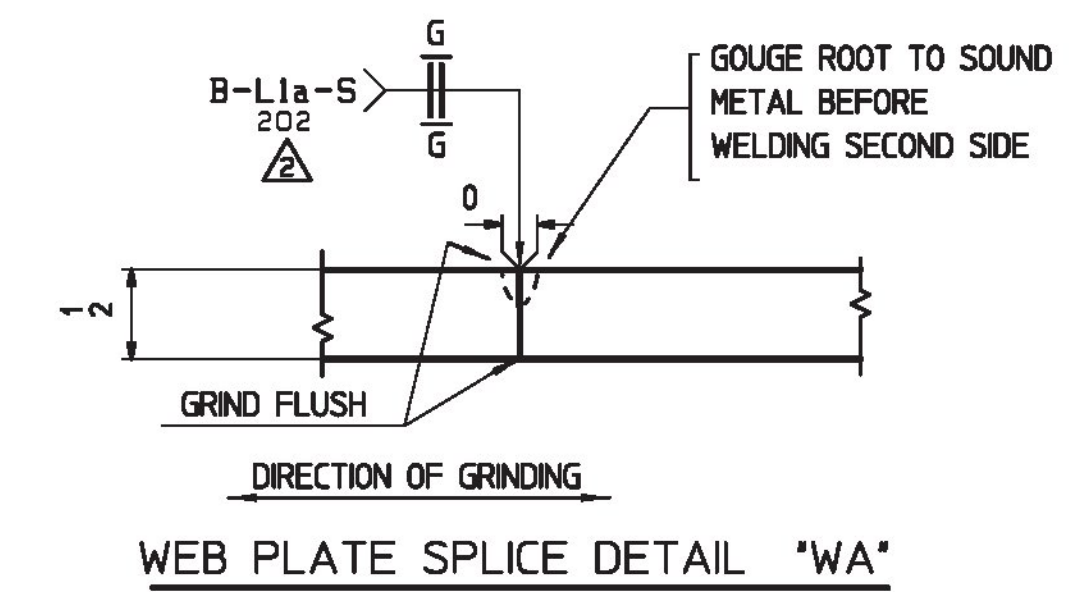
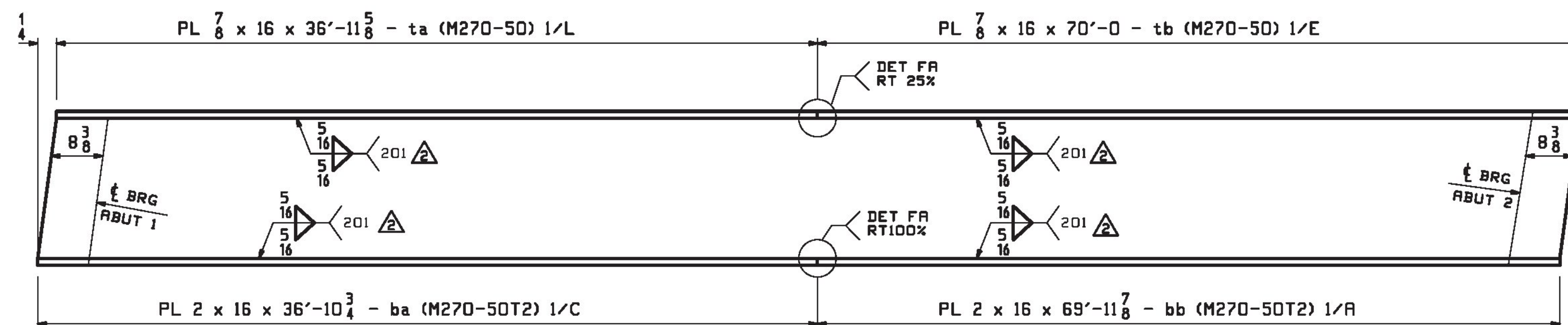


CAMBER DIAGRAM FOR 1G1, 2G2, 3G3, 4G4, 5G5, 6G6, 7G7, 8G8, 9G9, 10G10, 11G11 & 12G12

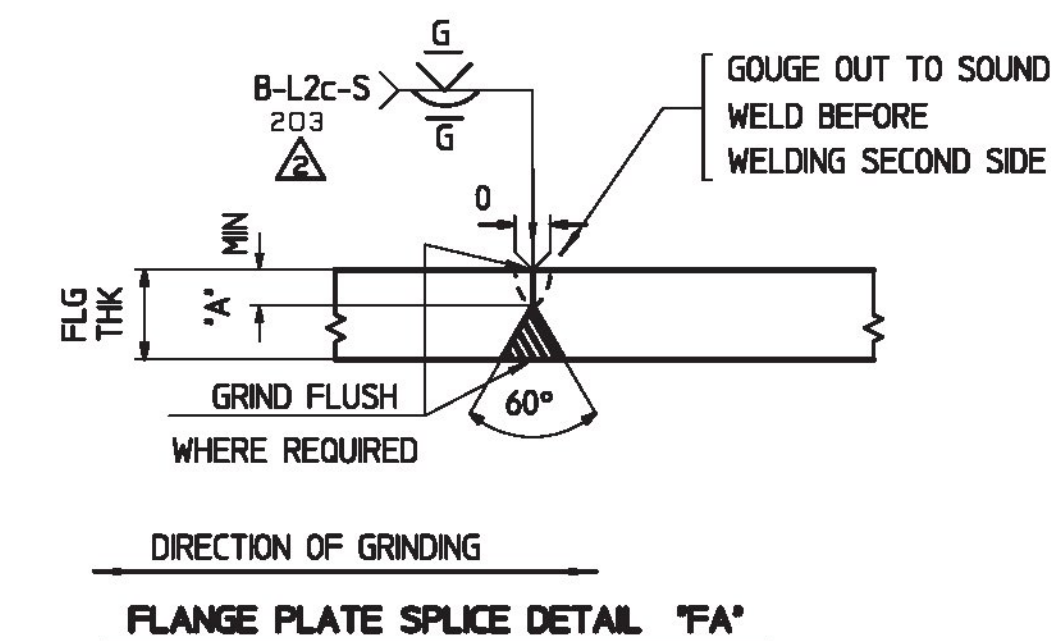


WEB PLATE SPLICE DETAIL 'WA'



FLANGE DIAGRAM FOR 1G1, 2G2, 3G3, 4G4, 5G5, 6G6, 7G7, 8G8, 9G9, 10G10, 11G11 & 12G12

FLG THK	'A'
7/8	1/4
2	1/2



FLANGE PLATE SPLICE DETAIL 'FA'

Vermont Agency of Transportation
RECEIVED

CK'D BY VHB OK'D BY TAS

March 31, 2017

RESUBMIT BY T Sumner APPROVED YES
DATE 4/11/17

SHOP DRAWING REVIEW

REVIEWED AS REQUIRED BY THE CONSTRUCTION CONTRACT DOCUMENTS AND APPROVED, BUT ONLY FOR CONFORMANCE TO THE DESIGN CONCEPT OF THE WORK, AND SUBJECT TO FURTHER LIMITATIONS AND REQUIREMENTS CONTAINED IN THE CONSTRUCTION CONTRACT DOCUMENTS.

REJECTED REVISE AND RESUBMIT FURNISH AS CORRECTED

CORRECTIONS OR COMMENTS MADE ON THE SHOP DRAWINGS DURING THIS REVIEW DO NOT RELIEVE CONTRACTOR FROM COMPLIANCE WITH REQUIREMENTS OF THE DRAWINGS AND SPECIFICATIONS. THIS CHECK IS ONLY FOR REVIEW OF GENERAL CONFORMANCE WITH THE DESIGN CONCEPT OF THE PROJECT AND GENERAL COMPLIANCE WITH THE INFORMATION GIVEN IN THE CONTRACT DOCUMENTS. THE CONTRACTOR IS RESPONSIBLE FOR: CONFIRMING AND CORRELATING ALL QUANTITIES AND DIMENSIONS; SELECTING FABRICATION PROCESSES AND TECHNIQUES OF CONSTRUCTION; COORDINATING HIS WORK WITH THAT OF ALL OTHER TRADES; AND PERFORMING HIS WORK IN A SAFE AND SATISFACTORY MANNER.

vhb
40 IDX Drive
Building 100, Suite 200
South Burlington, VT 05403
802.497.6100

Job Number: BRF 025-1(42)
Reviewed By: E.F. LAWES
Date: April 11, 2017

REV.	DATE	REMARKS	DWN	CHK	APVL	SHOP
03/08	2017	APPROVAL COMMENTS	ATD	PCP		
12/19/16		CORRECTED DIMENSION	ATD	PCP		

MATERIAL: _____ SURFACE PREP. & PAINT: _____ HOLES: _____ SHOP BOLTS: _____

DESCRIPTION: **WEB & FLG CUTTING DIAGRAM**

Casco Bay Steel Structures, Inc.
1 WALLACE AVE. PHONE (207) 780-6722
SOUTH PORTLAND, ME 04106 FAX. (207) 780-6726

STRUCTURE:	VT RTE 103 (MAIN STREET) OVER BLACK RIVER BRIDGE NO. 25	DRAWN:	ATD	DATE:	11/12
	ROUTE T.H.1 (VT 103) CLASS 1 F.R.S. 025-1	CHKD:	PCP	DATE:	12/15
LOCATION:	TOWN OF LUDLOW, WINDSOR COUNTY, VT	JOB NO.		DWG NO.	
PROJ NO.	BRF 025-1(42)				
CUSTOMER:	COLD RIVER BRIDGES, L.L.C.				

684 **C1**