

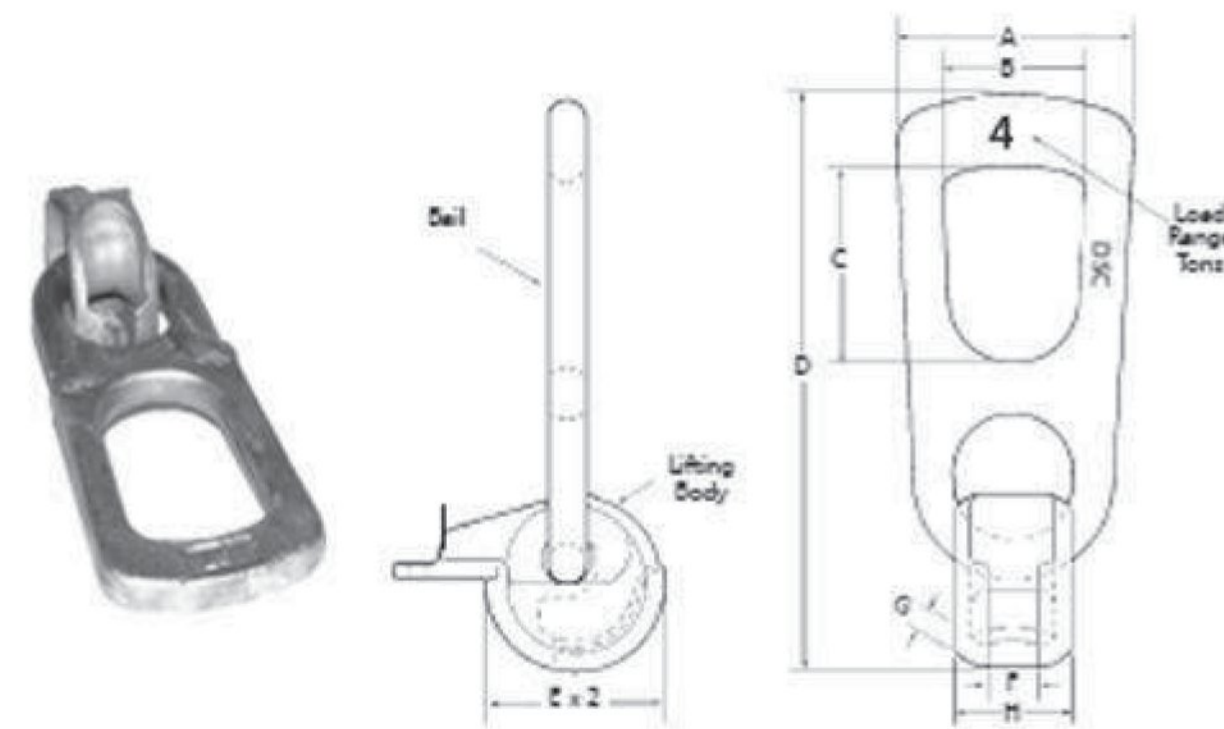
TECHNICAL DATA SHEET

DESCRIPTION

The P50 Swift Lift Universal Lifting Eye consists of a lathe-spherical lifting eye with a 180-degree arc.

APPLICATION

The P50 Swift Lift Universal Lifting Eye is used for lifting precast concrete panels. It is designed for use with a crane and is suitable for use in a variety of applications.



FEATURES

- The P50 Swift Lift Universal Lifting Eye is designed for use with a crane and is suitable for use in a variety of applications.
- The P50 Swift Lift Universal Lifting Eye is designed for use with a crane and is suitable for use in a variety of applications.

TECHNICAL DATA

P50 SWIFT LIFT UNIVERSAL LIFTING EYE DIMENSIONS								
Rated Load Tons	A	B	C	D	E x 2	F Maximum Width	G Minimum Thickness	H
1	2.9"	1.7"	2.8"	7.5"	2.20"	0.56"	0.22"	1.26"
2	3.5"	2.3"	3.3"	9.0"	2.68"	0.76"	0.23"	1.65"
4	4.6"	2.8"	3.5"	11.0"	3.46"	1.02"	0.31"	2.26"
8	6.3"	3.3"	4.4"	15.6"	4.40"	1.31"	0.47"	2.90"
20	7.3"	4.6"	5.9"	20.4"	5.98"	1.86"	0.71"	4.35"

The rated load provides a factor of safety of approximately 5 to 1 (ultimate rated load)

INSTALLATION

The P50 Swift Lift Universal Lifting Eye is installed on the crane hook and is used for lifting precast concrete panels.

The P50 Swift Lift Universal Lifting Eye is installed on the crane hook and is used for lifting precast concrete panels.

The P50 Swift Lift Universal Lifting Eye is installed on the crane hook and is used for lifting precast concrete panels.

The P50 Swift Lift Universal Lifting Eye is installed on the crane hook and is used for lifting precast concrete panels.

The P50 Swift Lift Universal Lifting Eye is installed on the crane hook and is used for lifting precast concrete panels.

The P50 Swift Lift Universal Lifting Eye is installed on the crane hook and is used for lifting precast concrete panels.

The P50 Swift Lift Universal Lifting Eye is designed for use with a crane and is suitable for use in a variety of applications.

The P50 Swift Lift Universal Lifting Eye is designed for use with a crane and is suitable for use in a variety of applications.

The P50 Swift Lift Universal Lifting Eye is designed for use with a crane and is suitable for use in a variety of applications.

The P50 Swift Lift Universal Lifting Eye is designed for use with a crane and is suitable for use in a variety of applications.

The P50 Swift Lift Universal Lifting Eye is designed for use with a crane and is suitable for use in a variety of applications.

The P50 Swift Lift Universal Lifting Eye is designed for use with a crane and is suitable for use in a variety of applications.

The P50 Swift Lift Universal Lifting Eye is designed for use with a crane and is suitable for use in a variety of applications.

The P50 Swift Lift Universal Lifting Eye is designed for use with a crane and is suitable for use in a variety of applications.

The P50 Swift Lift Universal Lifting Eye is designed for use with a crane and is suitable for use in a variety of applications.

The P50 Swift Lift Universal Lifting Eye is designed for use with a crane and is suitable for use in a variety of applications.

The P50 Swift Lift Universal Lifting Eye is designed for use with a crane and is suitable for use in a variety of applications.

The P50 Swift Lift Universal Lifting Eye is designed for use with a crane and is suitable for use in a variety of applications.

The P50 Swift Lift Universal Lifting Eye is designed for use with a crane and is suitable for use in a variety of applications.

The P50 Swift Lift Universal Lifting Eye is designed for use with a crane and is suitable for use in a variety of applications.

The P50 Swift Lift Universal Lifting Eye is designed for use with a crane and is suitable for use in a variety of applications.

The P50 Swift Lift Universal Lifting Eye is designed for use with a crane and is suitable for use in a variety of applications.

The P50 Swift Lift Universal Lifting Eye is designed for use with a crane and is suitable for use in a variety of applications.

The P50 Swift Lift Universal Lifting Eye is designed for use with a crane and is suitable for use in a variety of applications.

The P50 Swift Lift Universal Lifting Eye is designed for use with a crane and is suitable for use in a variety of applications.

The P50 Swift Lift Universal Lifting Eye is designed for use with a crane and is suitable for use in a variety of applications.

