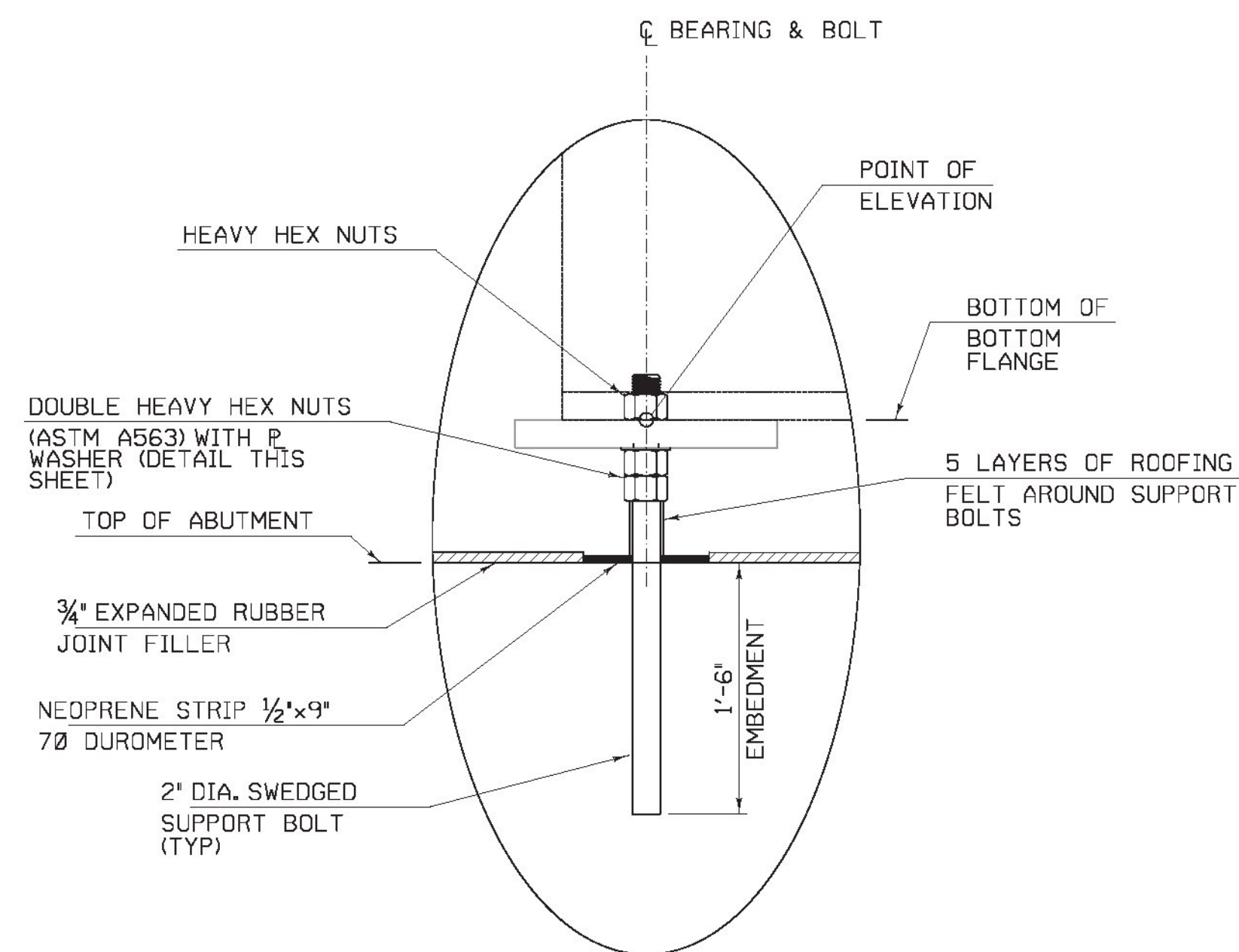
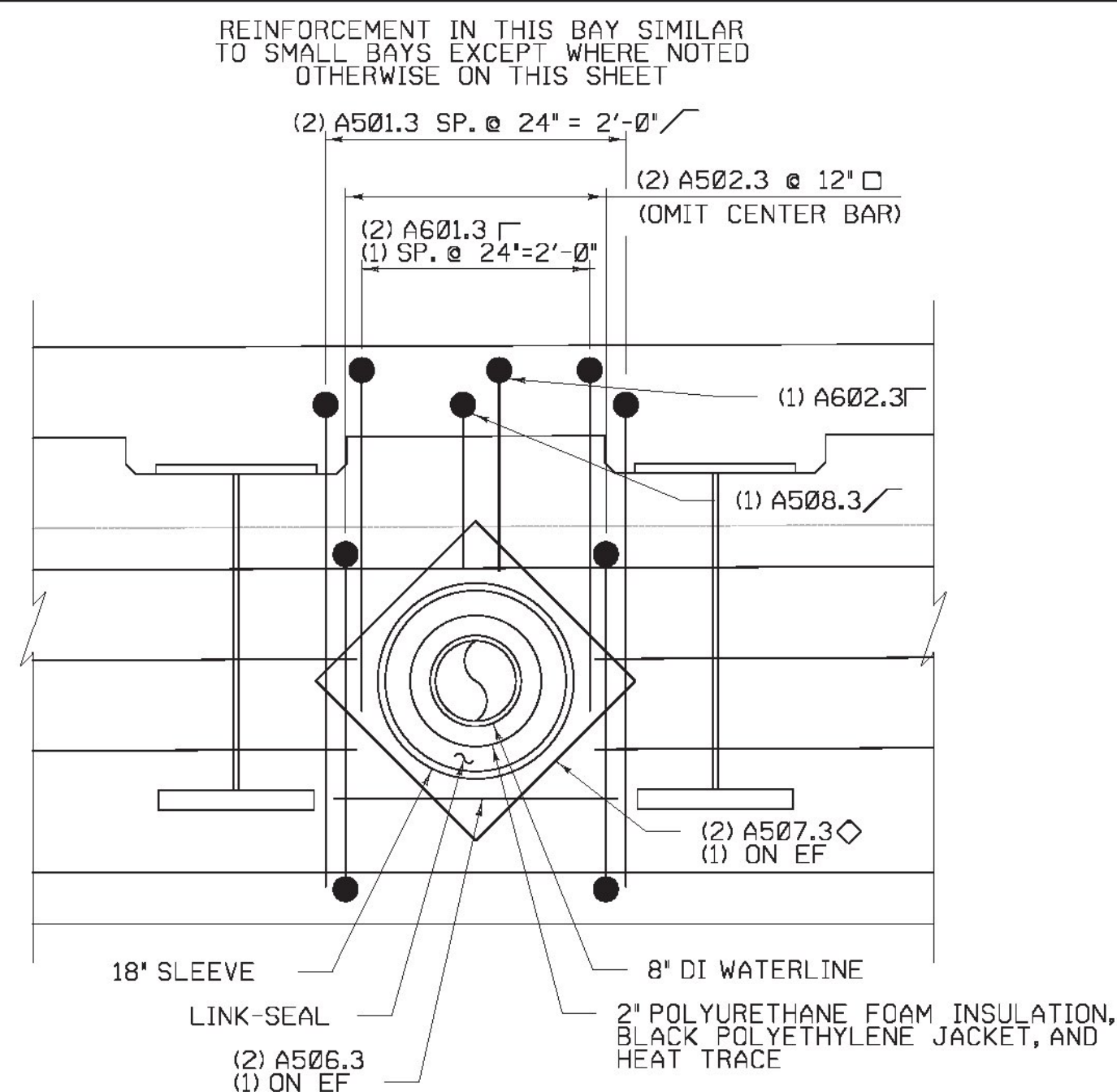


SUPPORT BOLT LAYOUT
SCALE 1 1/2" = 1'-0"

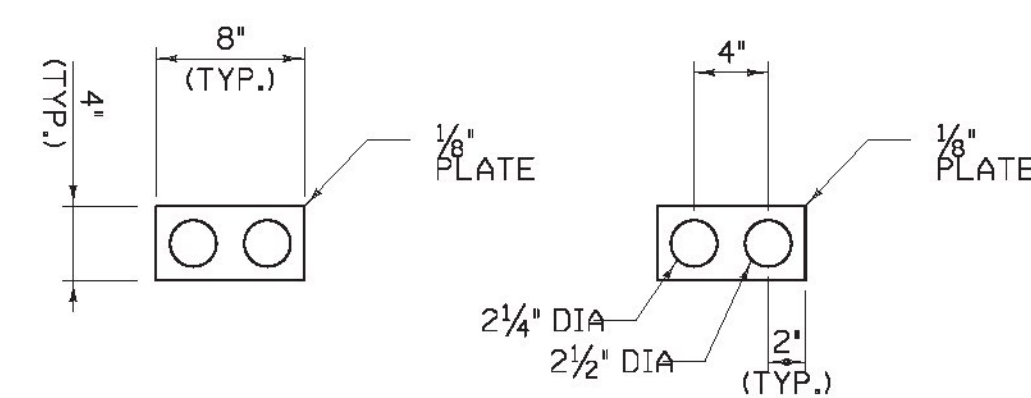


SECTION A-A
SUPPORT BOLT DETAIL (TYP)
SCALE 1 1/2" = 1'-0"



• SEE NOTE 1
WATERLINE ABUTMENT PENETRATION DETAIL
NOT TO SCALE

- NOTES:**
- SPACE BARS TO MAINTAIN 1 1/2" MIN CLR AROUND SLEEVE. FIELD CUT CENTER BARS TO MAINTAIN 1 1/2" MIN CLR AROUND SLEEVE.
 - SLEEVE SHALL BE STEEL WITH 18" INSIDE DIA. AND SHALL BE COMPATIBLE WITH LINK-SEAL AND REINFORCING LAYOUT.



DOUBLE ANCHOR BOLT ASSEMBLY PLATE WASHER
NOT TO SCALE

Vermont Agency of Transportation
RECEIVED
CK'D BY VHB OK'D BY TAS
March 7, 2017
RESUBMIT NO APPROVED AS NOTED
BY T Sumner DATE 3/9/17

NOTE:
NF = NEAR FACE
FF = FAR FACE
EF = EACH FACE
▲ = CUT TO FIT IN FIELD
3" CLEAR, UNLESS OTHERWISE SPECIFIED ON THE PLANS.
2'-2" BAR LAP UNLESS OTHERWISE SPECIFIED ON THE PLANS.

- NOTES:**
- SEE ABUTMENT DETAILS (1 OF 3) AND PROJECT NOTES FOR ADDITIONAL FABRICATION, CONSTRUCTION, AND SEQUENCE NOTES.

CALDERWOOD ENGINEERING, ETC.
STRUCTURAL ENGINEERING • DETAILING • SURVEYING
222 RIVER RD., RICHMOND, ME 04857 PH/FX (207) 937-2001/2002
PREPARED FOR
COLD RIVER BRIDGES, LLC
CEE 16-16-COLDRIVERBRIDGES
01-CS-LUDLOW

DESIGN/DATE	DATE	BY	DATE
CHECKED/REVIEWED	JAN 2017	TJC	
REVISIONS 1			
REVISIONS 2			
REVISIONS 3			
REVISIONS 4			
FIELD CHANGES			

VE SUPER DESIGN
LUDLOW VT. BRF 025-1(42)
ABUTMENT DETAILS (2 OF 3)

SHEET NUMBER
46
of 73

