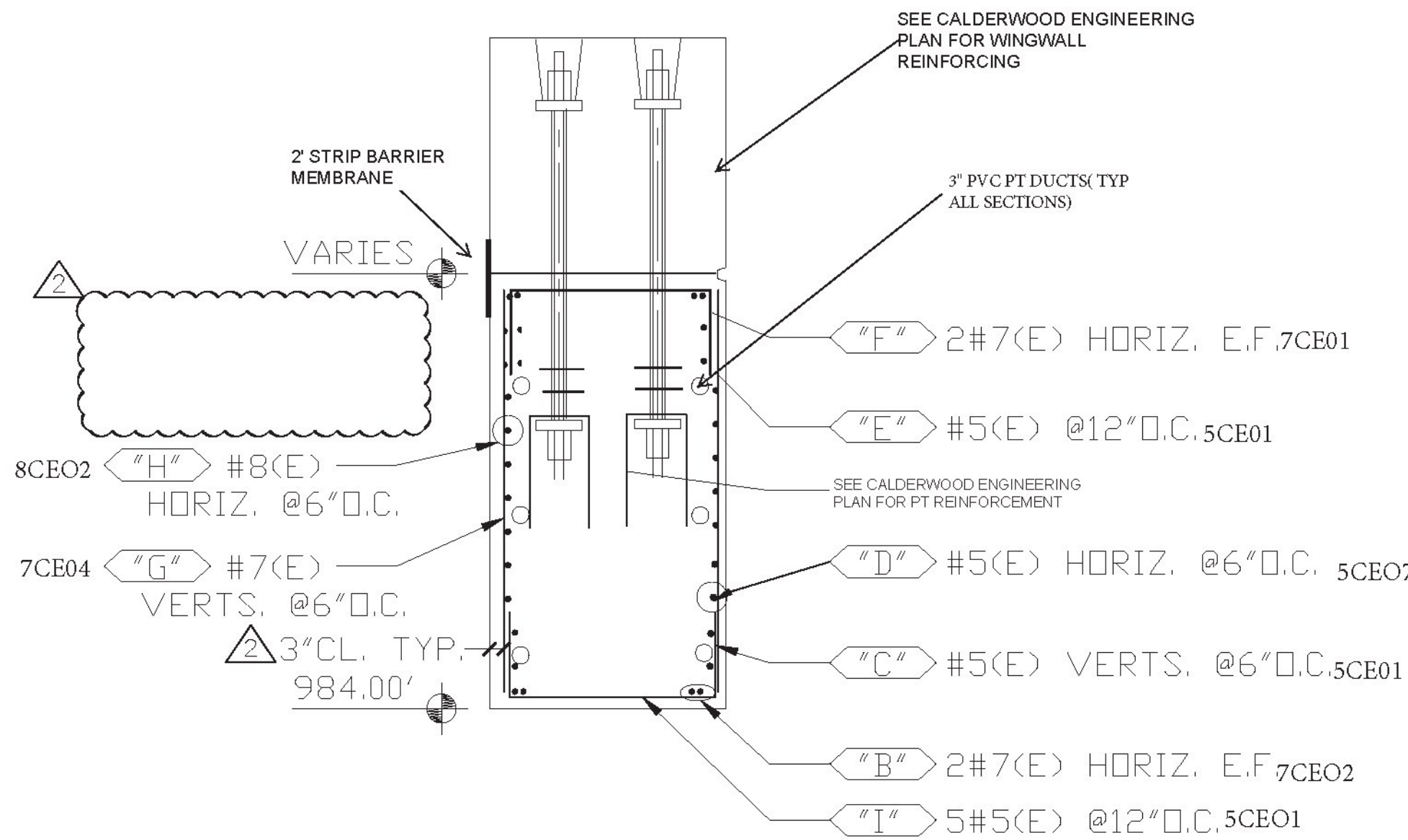


BAR MARKS MAY CHANGE, DUE TO REVISIONS

WORK THIS DRAWING WITH DRAWINGS C, C1, & C3

MATCH CAST DETAILS AND KEYWAY NOT SHOWN FOR CLARITY.

DECK, & BACKWALL ARE NOT PART OF THIS SUBMISSION



SECTION C

CONTRACT DWG. REF. 45 OF 73

Vermont Agency of Transportation
RECEIVED
 CK'D BY **VHB** OK'D BY **TAS**
 March 7, 2017
 RESUBMIT NO APPROVED AS NOTED
 BY T Sumner DATE 3/9/17

SHOP DRAWING REVIEW

REVIEWED AS REQUIRED BY THE CONSTRUCTION CONTRACT DOCUMENTS AND APPROVED, BUT ONLY FOR CONFORMANCE TO THE DESIGN CONCEPT OF THE WORK, AND SUBJECT TO FURTHER LIMITATIONS AND REQUIREMENTS CONTAINED IN THE CONSTRUCTION CONTRACT DOCUMENTS.

REJECTED REVISE AND RESUBMIT FURNISH AS CORRECTED

CORRECTIONS OR COMMENTS MADE ON THE SHOP DRAWINGS DURING THIS REVIEW DO NOT RELIEVE CONTRACTOR FROM COMPLIANCE WITH REQUIREMENTS OF THE DRAWINGS AND SPECIFICATIONS. THIS CHECK IS ONLY FOR REVIEW OF GENERAL CONFORMANCE WITH THE DESIGN CONCEPT OF THE PROJECT AND GENERAL COMPLIANCE WITH THE INFORMATION GIVEN IN THE CONTRACT DOCUMENTS. THE CONTRACTOR IS RESPONSIBLE FOR: CONFIRMING AND CORRELATING ALL QUANTITIES AND DIMENSIONS; SELECTING FABRICATION PROCESSES AND TECHNIQUES OF CONSTRUCTION; COORDINATING HIS WORK WITH THAT OF ALL OTHER TRADES; AND PERFORMING HIS WORK IN A SAFE AND SATISFACTORY MANNER.

40 IDX Drive
 Building 100, Suite 200
 South Burlington, VT 05403
 802.497.6100

Job Number: BRF 025-1(42)
 Reviewed By: E. E. LAWES
 Date: MARCH 9, 2017

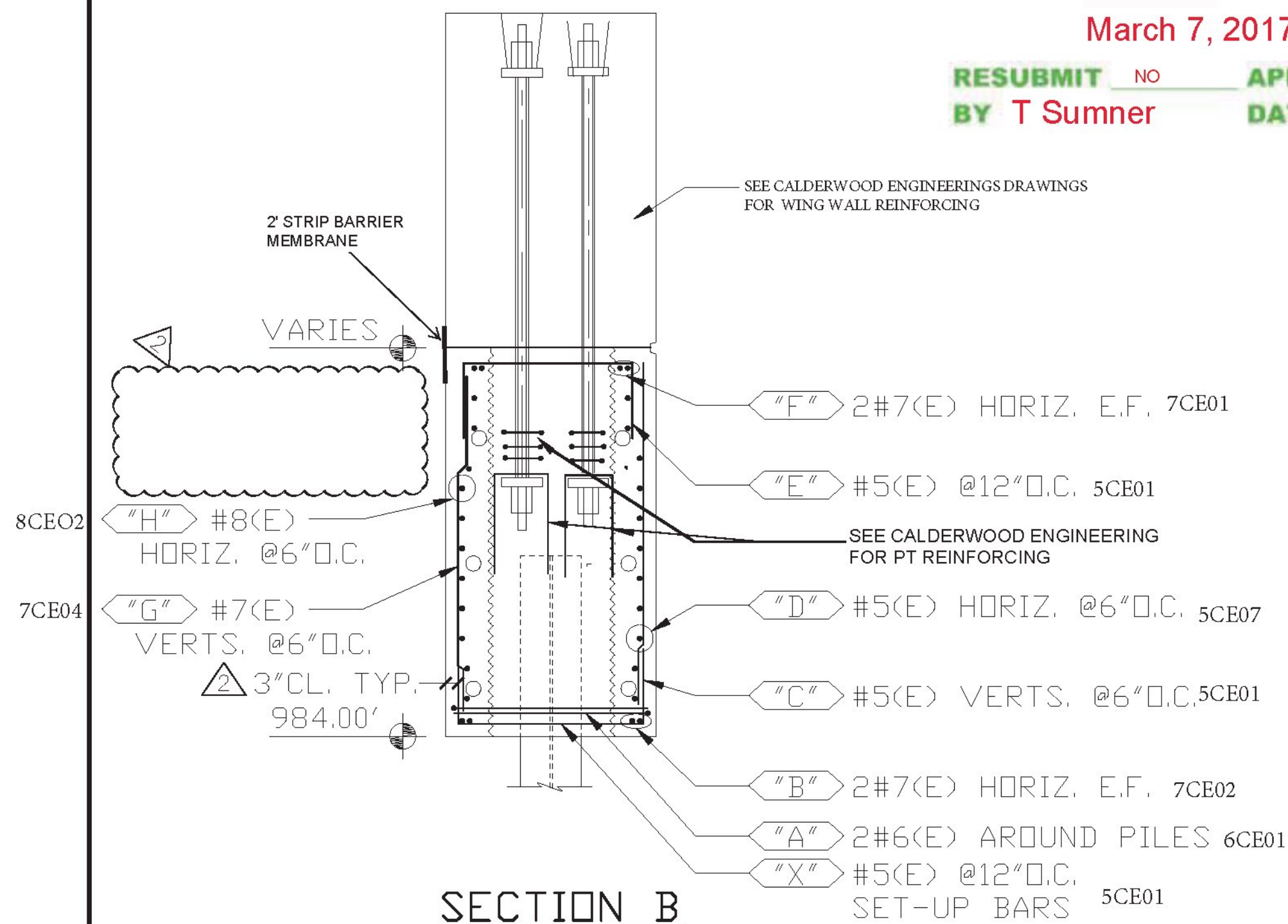
LEGEND:

CONT.-CONTINUOUS	E.E.-EACH END
TRANS.-TRANSVERSE	E.F.-EACH FACE
DWLS.-DOWELS	N.F.-NEAR FACE
VERTS.-VERTICAL	F.F.-FAR FACE
HORIZ.-HORIZONTAL	E.W.-EACH WAY
T&B -TOP & BOTTOM	O.C.-ON CENTER
I.F.-INNER FACE	L.W.-LONG WAY
O.F.-OUTER FACE	S.W.-SHORT WAY

ELEVATIONS & DIMENSIONS SHOWN ON THIS DWG. ARE FOR REINF. DETAILING PURPOSES ONLY AND ARE NOT INTENDED FOR DIMENSIONAL CONSTRUCTION.

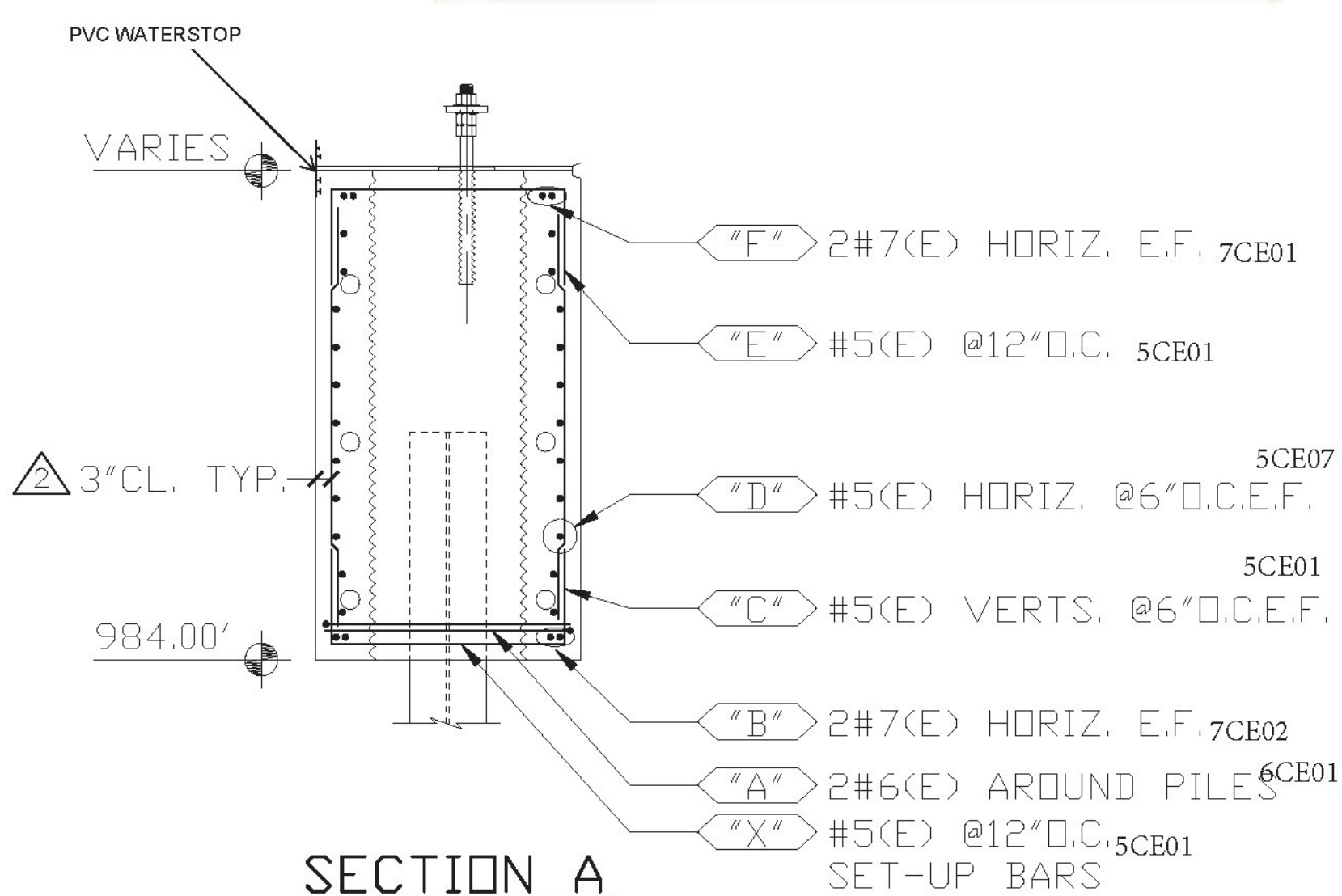
EPOXY REINF. BARS ASTM A615 GRADE 60, MARKED (E)

VERIFICATION OF UNCLEAR INFORMATION MAY BE REQUESTED ON THIS DRAWING. SHOULD VERIFICATION BE LEFT UN-ADDRESSED IT WILL REMAIN AS SHOWN AND ASSUME TO BE CORRECT.



SECTION B

CONTRACT DWG. REF. 45 OF 73



SECTION A

CONTRACT DWG. REF. 45 OF 73

NO	DATE	REV.#	SENT FOR
6			
5			
4			
3	2/3/17	2	REVISED PER APPROVAL / FOR APPROVAL
2	1/3/17	2	REVISED ENTIRE DWG. PER APP'L / FOR APP'L
1	11/11/16	-	FOR APPROVAL

DIMENSION FABRICATORS INC.
 2000 7TH STREET
 SCOTIA, N.Y. 12302
 PH: (518) 374-1936
 FAX (518) 374-4830
 www.dimensionfabricators.com

STRUCTURE: VTAOT LUDLOW BRF 025-1(42)
 VT 103, MAIN STREET (PRINCIPAL ARTERIAL)

LOCATION: TOWN OF LUDLOW, COUNTY OF WINDSOR, VT.

ARCHITECT: VHB

ENGINEER: VHB

CUSTOMER: COLD RIVER BRIDGES, LLC

DRAWN BY: CMB	DATE: 11/10/16	DPI #: 10067
DRAWING COVERS: ABUTMENT NO. 1		DRAWING #: C2

PAGE 19