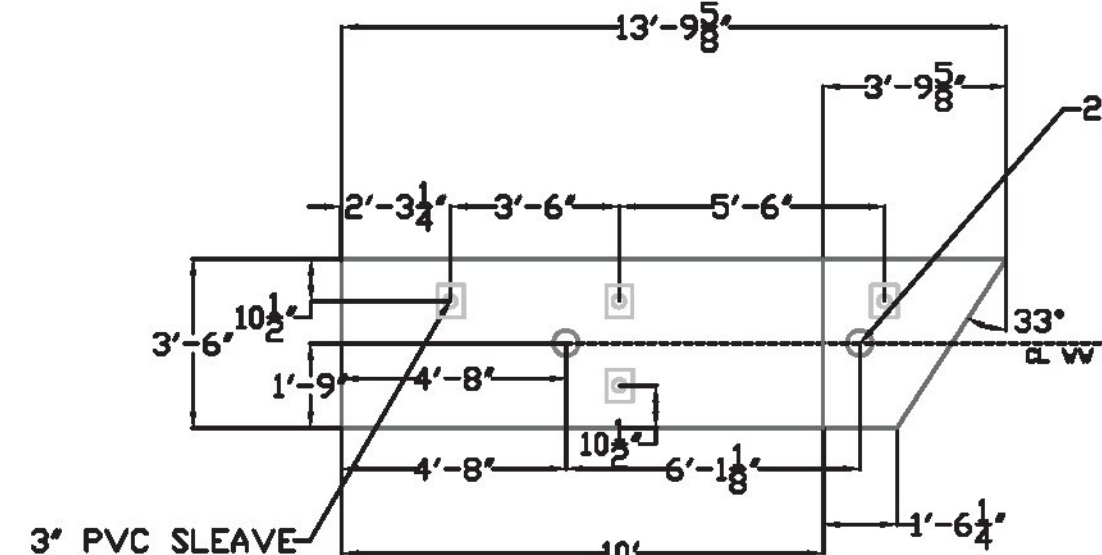


ELEV VIEW

3" PVC SLEEVE (TYP)



PLAN VIEW

WW#2

1.25" PT ROD LENGTH VARIES

MARK:WW2
CY=6.98
WEIGHT=22.6k

Vermont Agency of Transportation

RECEIVED

CK'D BY VHB OK'D BY TAS

March 7, 2017

RESUBMIT NO APPROVED AS NOTED
BY T Sumner DATE 3/9/17

CL BEARING

2' STRIP BARRIER MEMBRANE

1'-6"

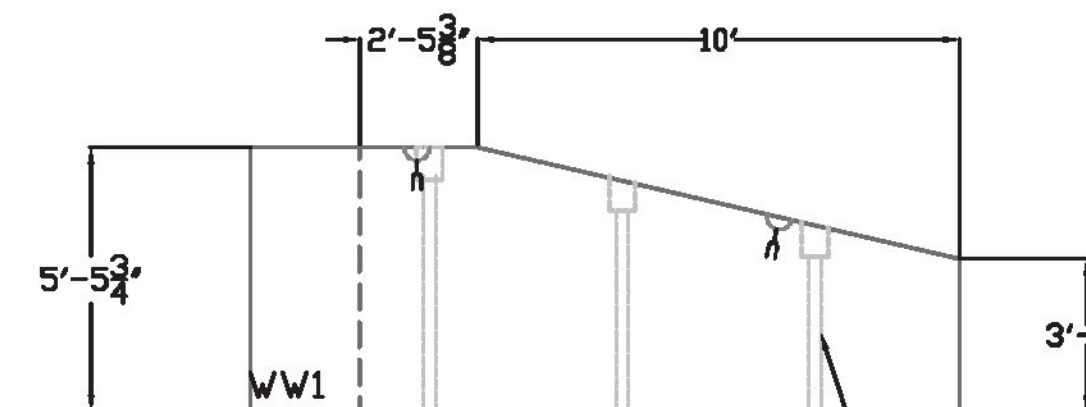
24" GALV CMP

2'-6 1/2" (TYP ALL)

FRONT FACE

3" PVC

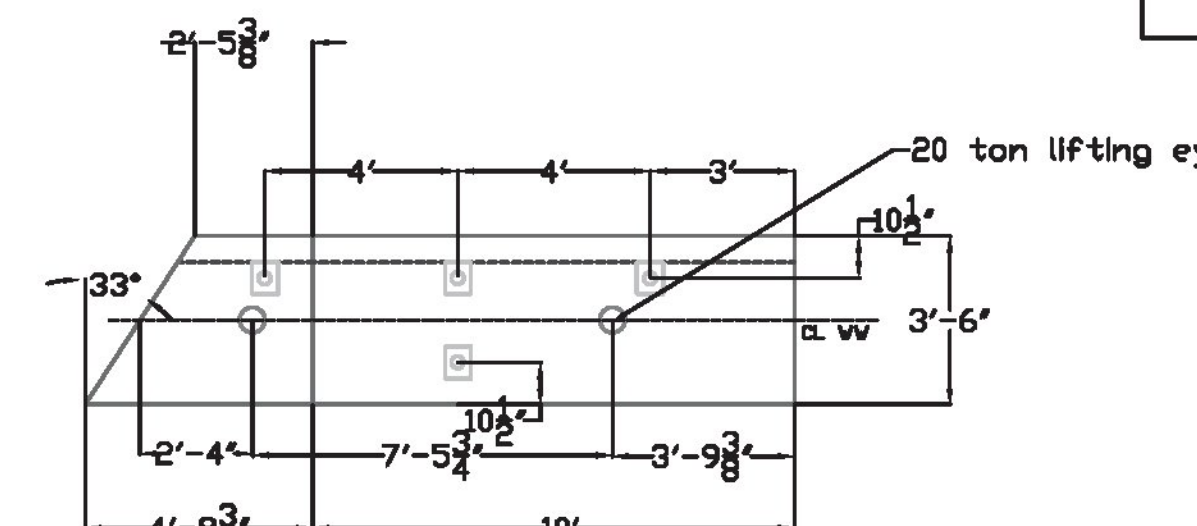
dimension to top PT duct, similar to other sheets.



ELEV VIEW

3" PVC SLEEVE (TYP)

MARK:WW1
CY=7.92
WEIGHT=25.7k



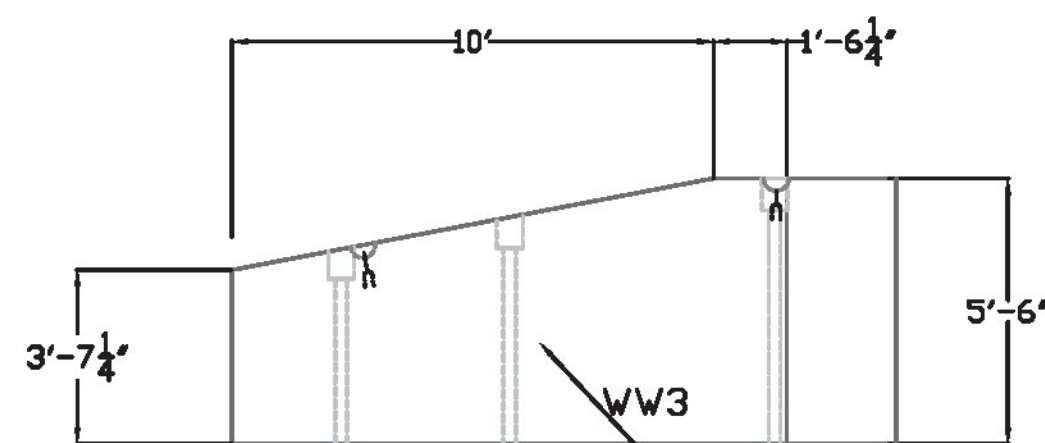
PLAN VIEW

WW#1

SHOP DRAWING REVIEW	
<input type="checkbox"/> REVIEWED AS REQUIRED BY THE CONSTRUCTION CONTRACT DOCUMENTS AND APPROVED, BUT ONLY FOR CONFORMANCE TO THE DESIGN CONCEPT OF THE WORK, AND SUBJECT TO FURTHER LIMITATIONS AND REQUIREMENTS CONTAINED IN THE CONSTRUCTION CONTRACT DOCUMENTS.	<input checked="" type="checkbox"/> FURNISH AS CORRECTED
<input type="checkbox"/> REJECTED	<input type="checkbox"/> REVISE AND RESUBMIT
CORRECTIONS OR COMMENTS MADE ON THE SHOP DRAWINGS DURING THIS REVIEW DO NOT RELIEVE CONTRACTOR FROM COMPLIANCE WITH REQUIREMENTS OF THE DRAWINGS AND SPECIFICATIONS. THIS CHECK IS ONLY FOR REVIEW OF GENERAL CONFORMANCE WITH THE DESIGN CONCEPT OF THE PROJECT AND GENERAL COMPLIANCE WITH THE INFORMATION GIVEN IN THE CONTRACT DOCUMENTS. THE CONTRACTOR IS RESPONSIBLE FOR CONFIRMING AND CORRELATING ALL QUANTITIES AND DIMENSIONS; SELECTING FABRICATION PROCESSES AND TECHNIQUES OF CONSTRUCTION; COORDINATING HIS WORK WITH THAT OF ALL OTHER TRADES; AND PERFORMING HIS WORK IN A SAFE AND SATISFACTORY MANNER.	
40 IDX Drive Building 100, Suite 200 South Burlington, VT 05403 802.497.6100	Job Number: BRF 025-1(42) Reviewed By: E.F. LAWES Date: MARCH 9, 2017

ABUTMENT/WINGWALL TYP SECT.

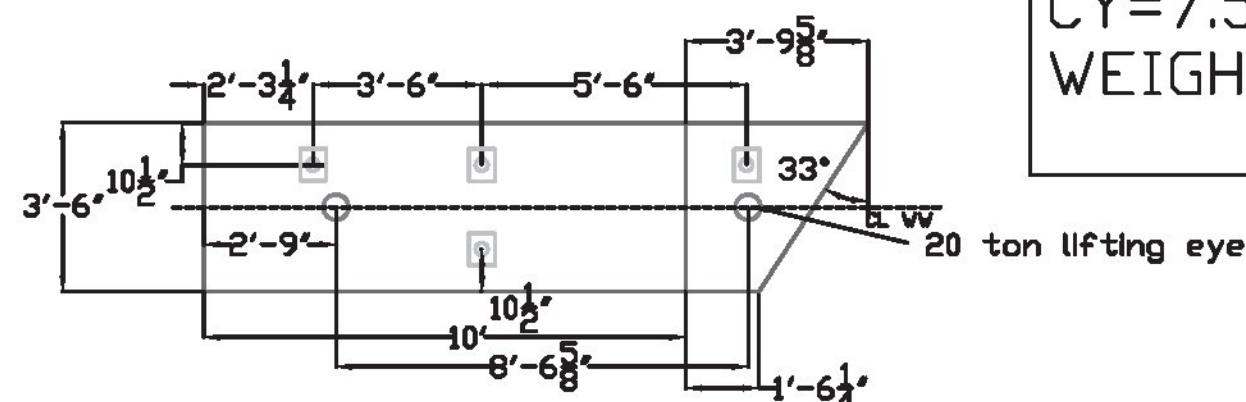
NTS:



ELEV VIEW

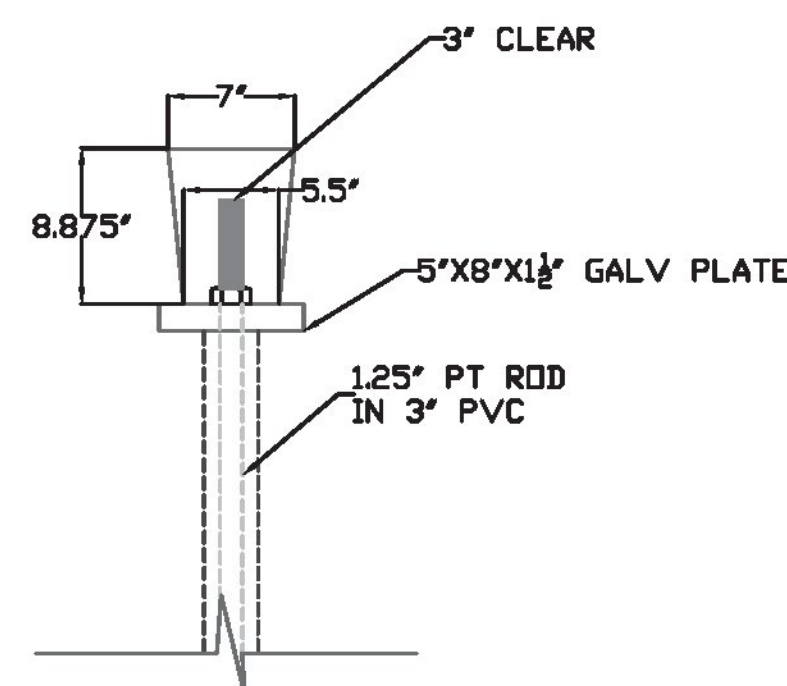
3" PVC SLEEVE (TYP)

MARK:WW3
CY=7.5
WEIGHT=24.3k



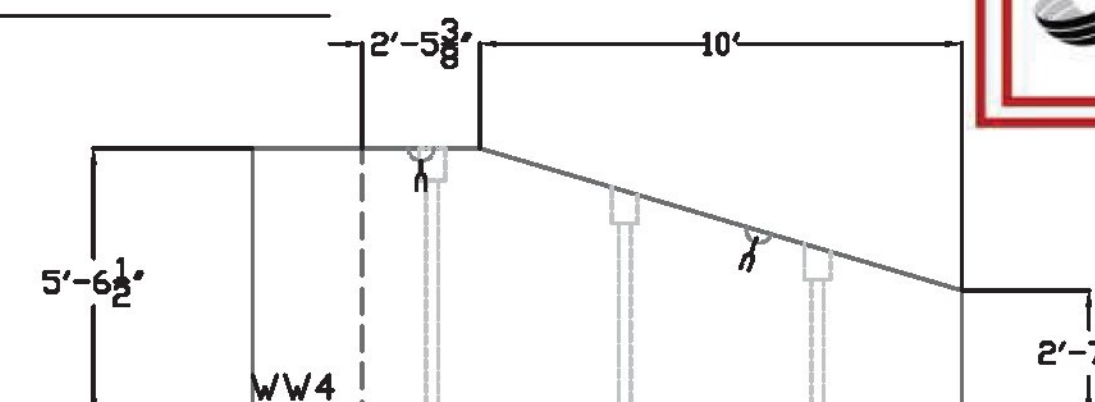
PLAN VIEW

WW#3



TYPICAL POCKET DETAIL

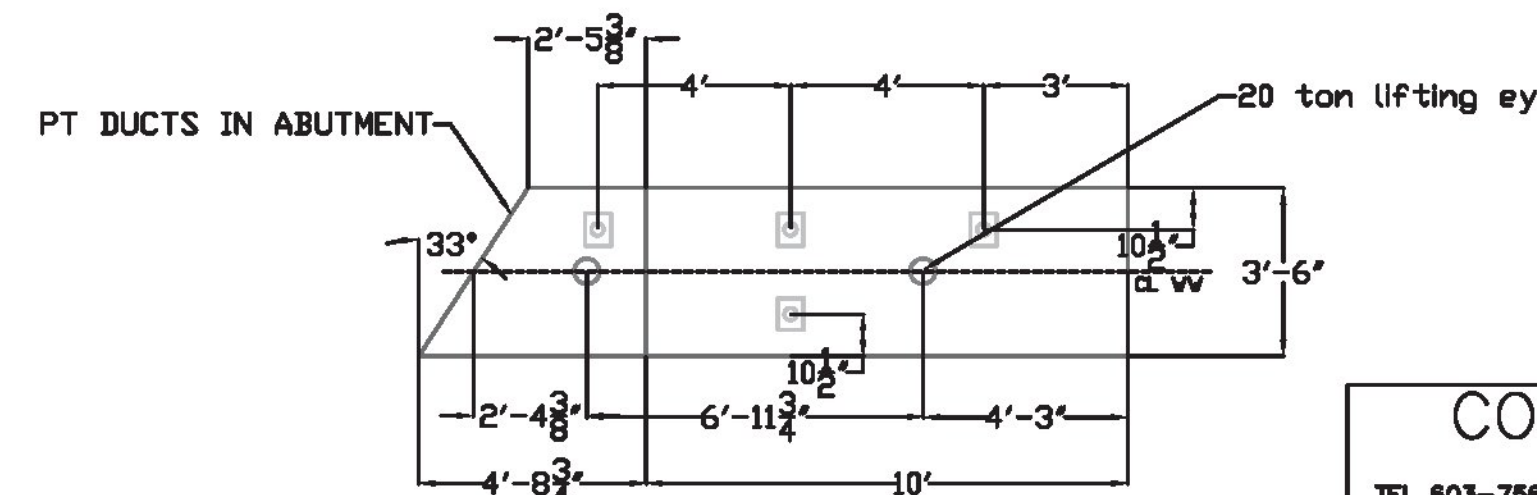
NTS:



ELEV VIEW

3" PVC SLEEVE (TYP)

MARK:WW4
CY=7.56
WEIGHT=24.5k



PLAN VIEW

WW#4

NOTE: SEE CALDERWOOD ENGINEERING'S PLANS FOR POST TENSIONING DESIGN

COLD RIVER BRIDGES, LLC	
10 LANBRO LANE WALPOLE, NH	
TEL 603-756-9300	FAX 603-756-9303
LUDLOW BRF 0251(42)	
PRE-CAST WINGS	SHEET NUMBER
DATE: 11/18/16	16