



**P53 SWIFT LIFT® EYE ANCHOR**  
Precast / Tilt-Up

TECHNICAL DATA SHEET

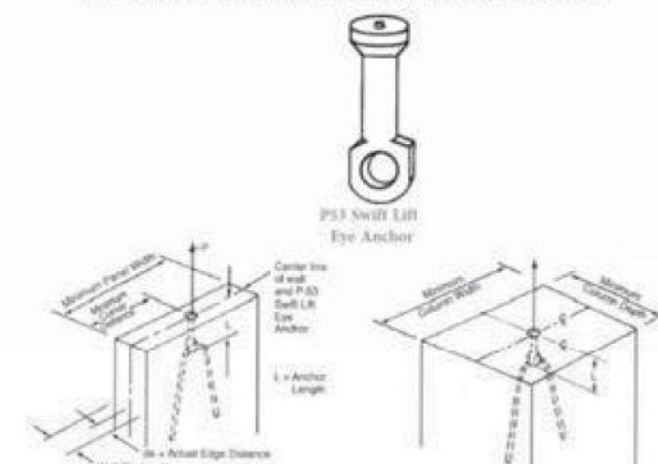
**DESCRIPTION**

The P53 Swift Lift Eye Anchor is designed for use with the P60 Tension Bar placed through the eye of the anchor. This combination of Swift Lift Eye Anchor and P60 Tension Bar allows the anchor's full rated tensile load to be developed in thin, narrow wall applications. The anchor should be located at the center line of the wall. When two or more anchors are required, the minimum spacing between anchors must be equal to the minimum panel width.

**APPLICATION**

The Dayton Superior Swift Lift Eye Anchor (P53) is similar to the P52 Anchor but has an eye at the foot to accept P60 Tension Bars. The P53 anchor is used primarily in thin sections, thin panels of lightweight concrete or shapes that must be handled at concrete compressive strengths below 14 MPa.

Warning: P60 Tension Bar must be used with this anchor to achieve loads.



Note:  
- Minimum Corner Distance must be at least 1/2 Minimum Panel Width.  
- 2 or more anchors require a Minimum Spacing equal to the Minimum Panel Width.

**FEATURES**

- Available in hot-dipped galvanized for extreme corrosion resistance
- The combination of the P53 Swift Lift Eye Anchor and P60 Tension Bar is an excellent system to use for lifting, handling, and setting precast column and thin walls.

**TECHNICAL DATA**

P53 Swift Eye Anchor Selection Chart						
Anchor Rated Load (kips)	Anchor Length (ft)	Minimum Thickness of Wall (in)	Actual Edge Distance (in)	Minimum Corner Distance (in)	Minimum Panel Width (in)	Tensile Safe Working Load per Anchor* (kips)
1	2-1/2"	3"	1-3/4"	8"	16"	2,000
2	3-1/2"	3"	1-3/4"	8"	16"	4,000
4	4-3/4"	3-3/4"	1-7/8"	5"	10"	8,000
8	7-1/8"	4-3/4"	2-3/8"	7"	14"	16,000
20	9-7/8"	6-3/8"	3-3/8"	9-1/2"	17"	40,000

\*Safe Working Load provided a factor of safety of approximately 4 to 1 in 2,000 psi normal weight concrete. The P53 Eye Anchor must be used in conjunction with the P60 Tension Bar in order to develop the published rated working loads.

**RELATED PRODUCTS**

- P60 Tension Bar

**ORDERING INFORMATION**

Product Code	Description	Weight
60680	1 TON SWL 3/4" X 2-5/8"	0.139 LB
60683	2 TON SWL 9/16" X 3-1/2"	0.34 LB
60686	4 TON SWL 5/8" X 4-3/4"	0.94 LB
60688	8 TON SWL 1-3/32" X 7-1/8"	2.469 LB
60692	20 TON SWL 1-1/2" X 9-5/8"	7.5 LB

**HOT-DIPPED GALV.**

Product Code	Description	Weight
128860	2 TON SWL 9/16" X 3-1/2"	0.4 LB
60687	4 TON SWL 5/8" X 4-3/4"	0.955 LB
128867	8 TON SWL 1-3/32" X 7-1/8"	3.18
128891	20 TON SWL 1-1/2" X 9-5/8"	7.5 LB

**MANUFACTURER**

Dayton Superior Corporation  
1125 Byers Road  
Miamisburg, OH 45342  
Customer Service: 888-977-9600  
Technical Services: 877-266-7732  
Website: www.daytonsuperior.com

**WARRANTY (ACCESSORIES)**

Limited Warranty: Dayton warrants, for a period of 60 days from the date of shipment (three years from the date of shipment in the case of formwork, excluding any consumable Products included with such formwork), that Products and any associated application drawings and engineering services provided by Dayton ("Ancillary Services") will be free from defects in material and workmanship and, in the case of custom designed formwork, that the formwork will meet the specifications set forth in the design drawings approved by Dayton and Customer. Any claim under this warranty must be made in writing within such warranty period. If any Product and/or Ancillary Service covered by a timely claim are found to be defective, Dayton will, within a reasonable time, make any necessary repairs or corrections or, at Dayton's option, replace the Product. Unless pre-authorized by Dayton in writing, Dayton will not accept any charges for correcting defects or accept the return of any Product. This warranty will not apply to any Products that have been subjected to misuse, neglect, storage damage, misapplication, accident or any other damage caused by any person other than Dayton, or that have not been maintained in accordance with Dayton's specifications. THIS LIMITED WARRANTY IS IN LIEU OF ALL OTHER WARRANTIES AS TO THE PRODUCTS AND ANCILLARY SERVICES. DAYTON MAKES NO OTHER WARRANTIES OR GUARANTEES, EXPRESS OR IMPLIED, INCLUDING ANY WARRANTY OF MERCHANTABILITY, FITNESS FOR A PARTICULAR PURPOSE OR OTHERWISE. THE REMEDIES SET FORTH IN THIS SECTION ARE CUSTOMER'S EXCLUSIVE REMEDY FOR BREACH OF WARRANTY.

**ABUTMENTS AND WING WALLS**

ABUT & WW'S

Notes:

All lifting eye recesses will be filled with an approved grout from the Vermont Approved products list.

Vermont Agency of Transportation  
**RECEIVED**  
CK'D BY VHB OK'D BY TAS  
March 7, 2017  
RESUBMIT NO APPROVED AS NOTED  
BY T Sumner DATE 3/9/17

**SHOP DRAWING REVIEW**

REVIEWED AS REQUIRED BY THE CONSTRUCTION CONTRACT DOCUMENTS AND APPROVED, BUT ONLY FOR CONFORMANCE TO THE DESIGN CONCEPT OF THE WORK, AND SUBJECT TO FURTHER LIMITATIONS AND REQUIREMENTS CONTAINED IN THE CONSTRUCTION CONTRACT DOCUMENTS.  
 REJECTED  REVISE AND RESUBMIT  FURNISH AS CORRECTED

CORRECTIONS OR COMMENTS MADE ON THE SHOP DRAWINGS DURING THIS REVIEW DO NOT RELIEVE CONTRACTOR FROM COMPLIANCE WITH REQUIREMENTS OF THE DRAWINGS AND SPECIFICATIONS. THIS CHECK IS ONLY FOR REVIEW OF GENERAL CONFORMANCE WITH THE DESIGN CONCEPT OF THE PROJECT AND GENERAL COMPLIANCE WITH THE INFORMATION GIVEN IN THE CONTRACT DOCUMENTS. THE CONTRACTOR IS RESPONSIBLE FOR CONFIRMING AND CORRELATING ALL QUANTITIES AND DIMENSIONS, SELECTING FABRICATION PROCESSES AND TECHNIQUES OF CONSTRUCTION; COORDINATING HIS WORK WITH THAT OF ALL OTHER TRADES; AND PERFORMING HIS WORK IN A SAFE AND SATISFACTORY MANNER.

40 IDX Drive  
Building 100, Suite 200  
South Burlington, VT 05403  
802.497.6100

Job Number: BRF 025-1(42)  
Reviewed By: E.F. LAWES  
Date: MARCH 9, 2017

COLD RIVER BRIDGES, LLC  
10 LANBRO LANE  
TEL 603-756-9300 WALPOLE, NH FAX 603-756-9303

LUDLOW BRF 0251(42)

SWIFT LIFT ANCHORS	SHEET NUMBER
DATE: 11/18/16	12