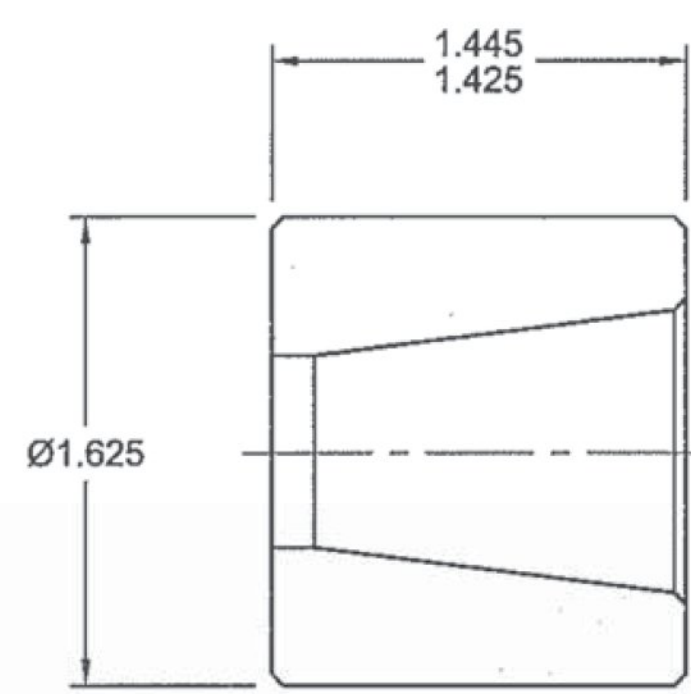
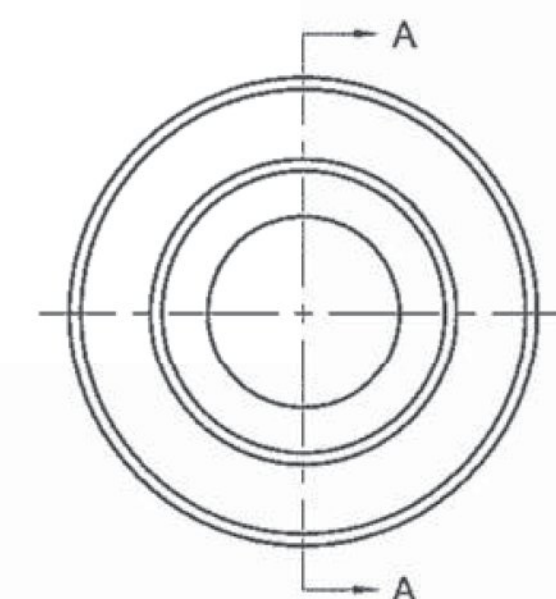


Drawing Number
Q500143

REV.	CHANGED BY	CHKD	DESCRIPTION	DATE
-	-	-	-	-



Section View A-A



Notes:
1) Remove all burrs and sharp edges.
2) Clear zinc plate in accordance with ASTM B633-11: .0002 - .0005" thick.

PRECISION SURE-LOCK®		Unspecified Tolerances (in Inches)		This drawing and information herein is confidential and proprietary and is the property of Enerpac Precision SURE-LOCK. It is not to be copied or reproduced without written permission.	
Drawn by:	Date:	DECIMAL:		Material:	500142 - F8B ¼ - ½ OTU Chuck Body
KB	10-24-13	X.X = ± 0.015		Description:	F8BP ¼ - ½ OTU Chuck Body Zinc
Checked by:	Date:	X.XX = ± 0.010		Sheet	1 of 1
RB	10-25-13	X.XXX = ± 0.005		Drawing Number	Q500143
Approved by:	Date:	FRACTIONAL: ± ½/32		Purchase Part Number	-
JG	10-25-13	ANGULAR: ± 1.0°		Scale	1:1
Release Date	10-25-13				

Vermont Agency of Transportation
RECEIVED
CK'D BY VHB OK'D BY TAS
March 7, 2017
RESUBMIT NO APPROVED AS NOTED
BY T Sumner DATE 3/9/17

SHOP DRAWING REVIEW	
<input type="checkbox"/> REVIEWED AS REQUIRED BY THE CONSTRUCTION CONTRACT DOCUMENTS AND APPROVED, BUT ONLY FOR CONFORMANCE TO THE DESIGN CONCEPT OF THE WORK, AND SUBJECT TO FURTHER LIMITATIONS AND REQUIREMENTS CONTAINED IN THE CONSTRUCTION CONTRACT DOCUMENTS. <input type="checkbox"/> REJECTED <input type="checkbox"/> REVISE AND RESUBMIT <input checked="" type="checkbox"/> FURNISH AS CORRECTED	
CORRECTIONS OR COMMENTS MADE ON THE SHOP DRAWINGS DURING THIS REVIEW DO NOT RELIEVE CONTRACTOR FROM COMPLIANCE WITH REQUIREMENTS OF THE DRAWINGS AND SPECIFICATIONS. THIS CHECK IS ONLY FOR REVIEW OF GENERAL CONFORMANCE WITH THE DESIGN CONCEPT OF THE PROJECT AND GENERAL COMPLIANCE WITH THE INFORMATION GIVEN IN THE CONTRACT DOCUMENTS. THE CONTRACTOR IS RESPONSIBLE FOR: CONFIRMING AND CORRELATING ALL QUANTITIES AND DIMENSIONS; SELECTING FABRICATION PROCESSES AND TECHNIQUES OF CONSTRUCTION; COORDINATING HIS WORK WITH THAT OF ALL OTHER TRADES; AND PERFORMING HIS WORK IN A SAFE AND SATISFACTORY MANNER.	
40 IDX Drive Building 100, Suite 200 South Burlington, VT 05403 802.497.6100	Job Number: <u>BRF 025-1(42)</u> Reviewed By: <u>E.F. LAWES</u> Date: <u>MARCH 9, 2017</u>

COLD RIVER BRIDGES, LLC
10 LANBRO LANE
WALPOLE, NH FAX 603-756-9303
TEL 603-756-9300
LUDLOW BRF 0251(42)
POST TENSION DETAILS SHEET NUMBER
DATE: 11/18/16 11