

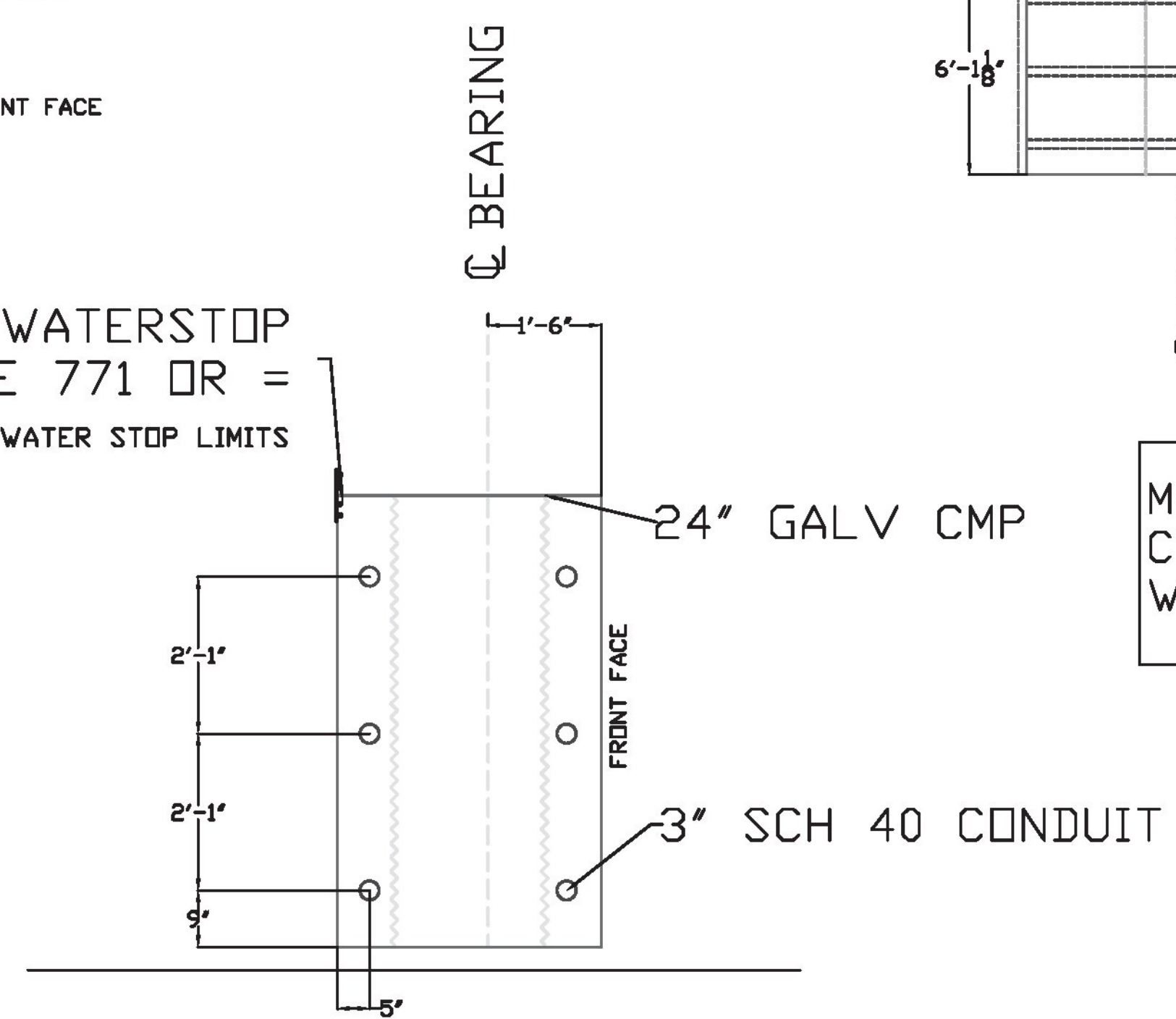
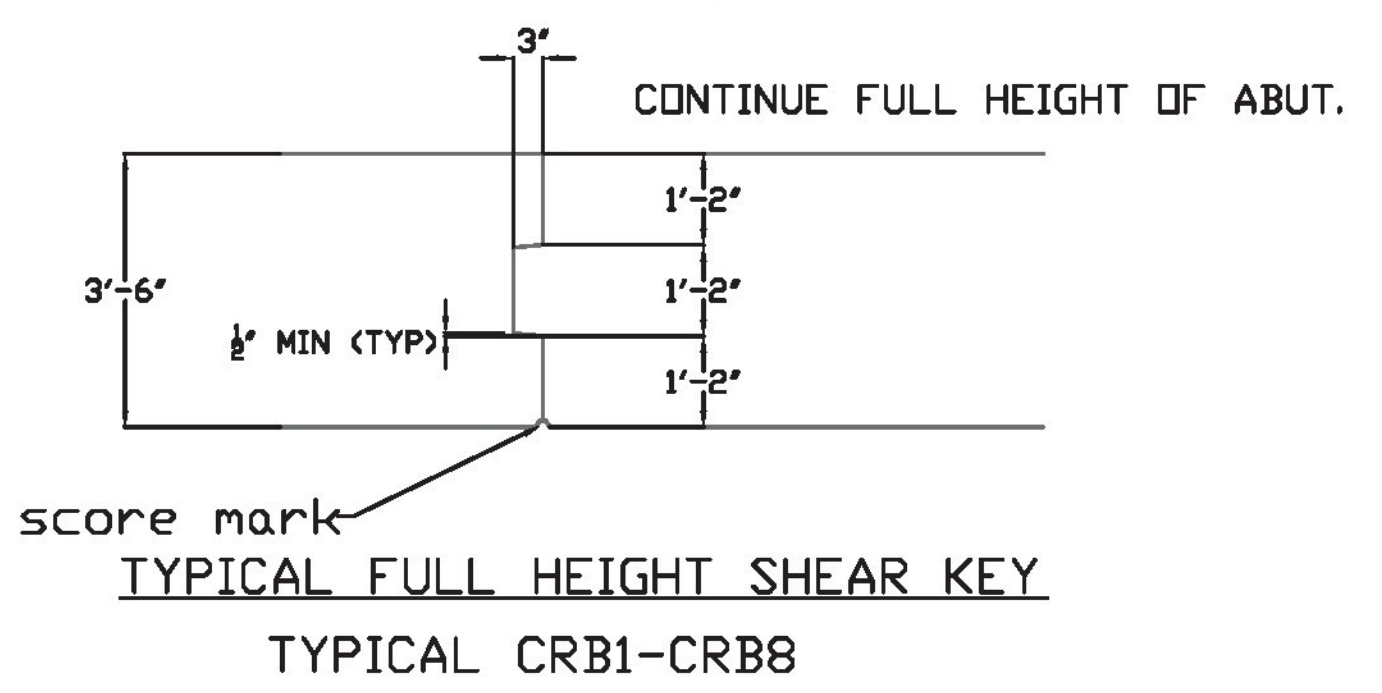
NOTE: 1.25" THREAD BAR WILL BE CAST IN ABUTMENTS LONG AND CUT TO FINAL GRADE AFTER MATCH CASTING OF WING WALLS

MARK:CRB5
CY=14.2
WEIGHT=46.8K

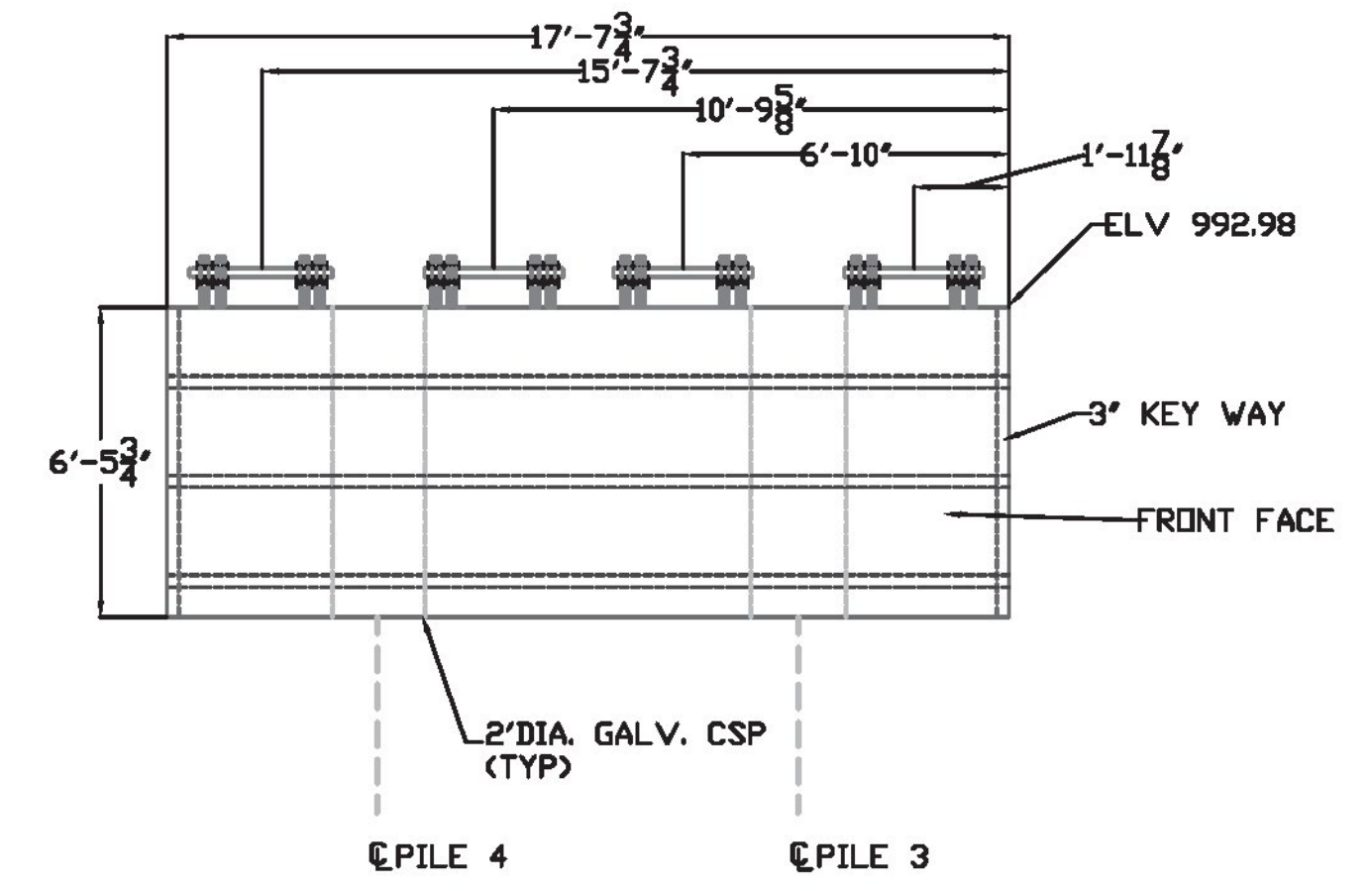
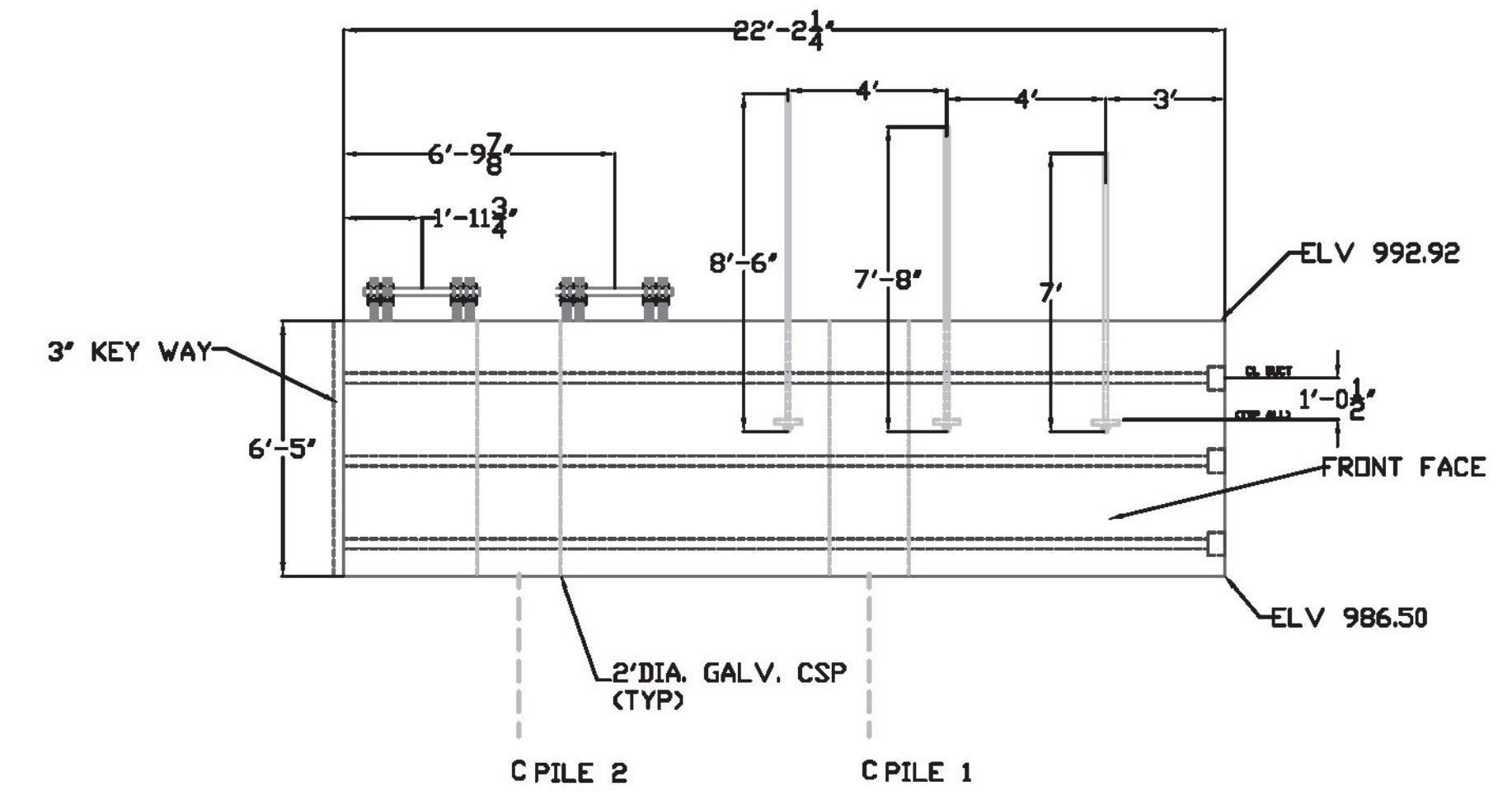
PVC WATERSTOP
TYPE 771 OR =
SEE SHEET 4 FOR WATER STOP LIMITS

MARK:CRB6
CY=12.3
WEIGHT=40.8K

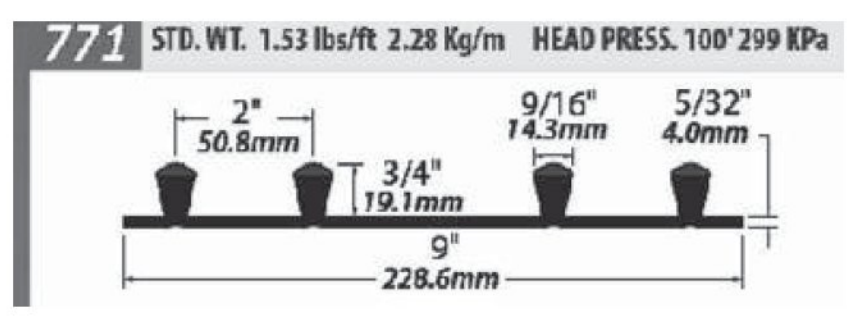
SHOP DRAWING REVIEW	
<input type="checkbox"/> REVIEWED AS REQUIRED BY THE CONSTRUCTION CONTRACT DOCUMENTS AND APPROVED, BUT ONLY FOR CONFORMANCE TO THE DESIGN CONCEPT OF THE WORK, AND SUBJECT TO FURTHER LIMITATIONS AND REQUIREMENTS CONTAINED IN THE CONSTRUCTION CONTRACT DOCUMENTS.	<input checked="" type="checkbox"/> FURNISH AS CORRECTED
<input type="checkbox"/> REJECTED	<input type="checkbox"/> REVISE AND RESUBMIT
CORRECTIONS OR COMMENTS MADE ON THE SHOP DRAWINGS DURING THIS REVIEW DO NOT RELIEVE CONTRACTOR FROM COMPLIANCE WITH REQUIREMENTS OF THE DRAWINGS AND SPECIFICATIONS. THIS CHECK IS ONLY FOR REVIEW OF GENERAL CONFORMANCE WITH THE DESIGN CONCEPT OF THE PROJECT AND GENERAL COMPLIANCE WITH THE INFORMATION GIVEN IN THE CONTRACT DOCUMENTS. THE CONTRACTOR IS RESPONSIBLE FOR CONFIRMING AND CORRELATING ALL QUANTITIES AND DIMENSIONS, SELECTING FABRICATION PROCESSES AND TECHNIQUES OF CONSTRUCTION, COORDINATING HIS WORK WITH THAT OF ALL OTHER TRADES, AND PERFORMING HIS WORK IN A SAFE AND SATISFACTORY MANNER.	
40 IDX Drive Building 100, Suite 200 South Burlington, VT 05403 802.497.6100	Job Number: BRF 025-1(42) Reviewed By: E.F. LAWES Date: MARCH 9, 2017



ABUTMENT TYP SECT.
SEE SHEET 16 FOR WING WALL/ABUT SECTION



MARK:CRB7
CY=13.12
WEIGHT=43.4K



TYPE 771
WATERSTOP
52'-3" +/-
REQUIRED
PER ABUTMENT

MARK:CRB8
CY=16.6
WEIGHT=54.4K

Vermont Agency of Transportation
RECEIVED
CK'D BY VHB OK'D BY TAS
March 7, 2017
RESUBMIT NO APPROVED AS NOTED
BY T Sumner DATE 3/9/17

COLD RIVER BRIDGES, LLC 10 LANBRO LANE WALPOLE, NH TEL 603-756-9300 FAX 603-756-9303	
LUDLOW BRF 0251(42)	
ABUTMENT #2 PLAN	SHEET NUMBER
DATE: 11/18/16	5