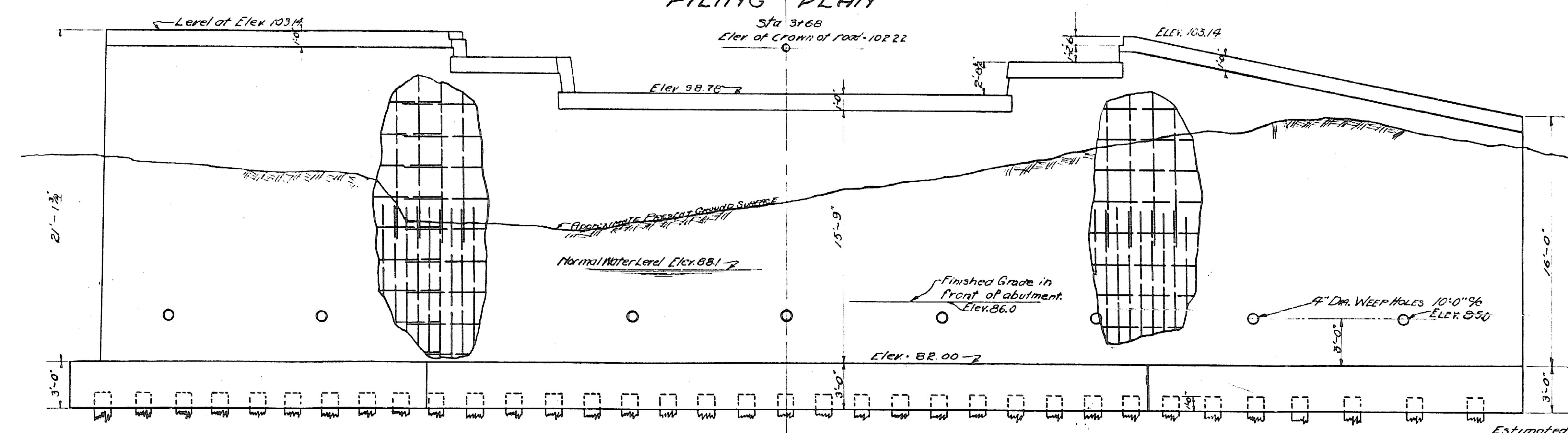
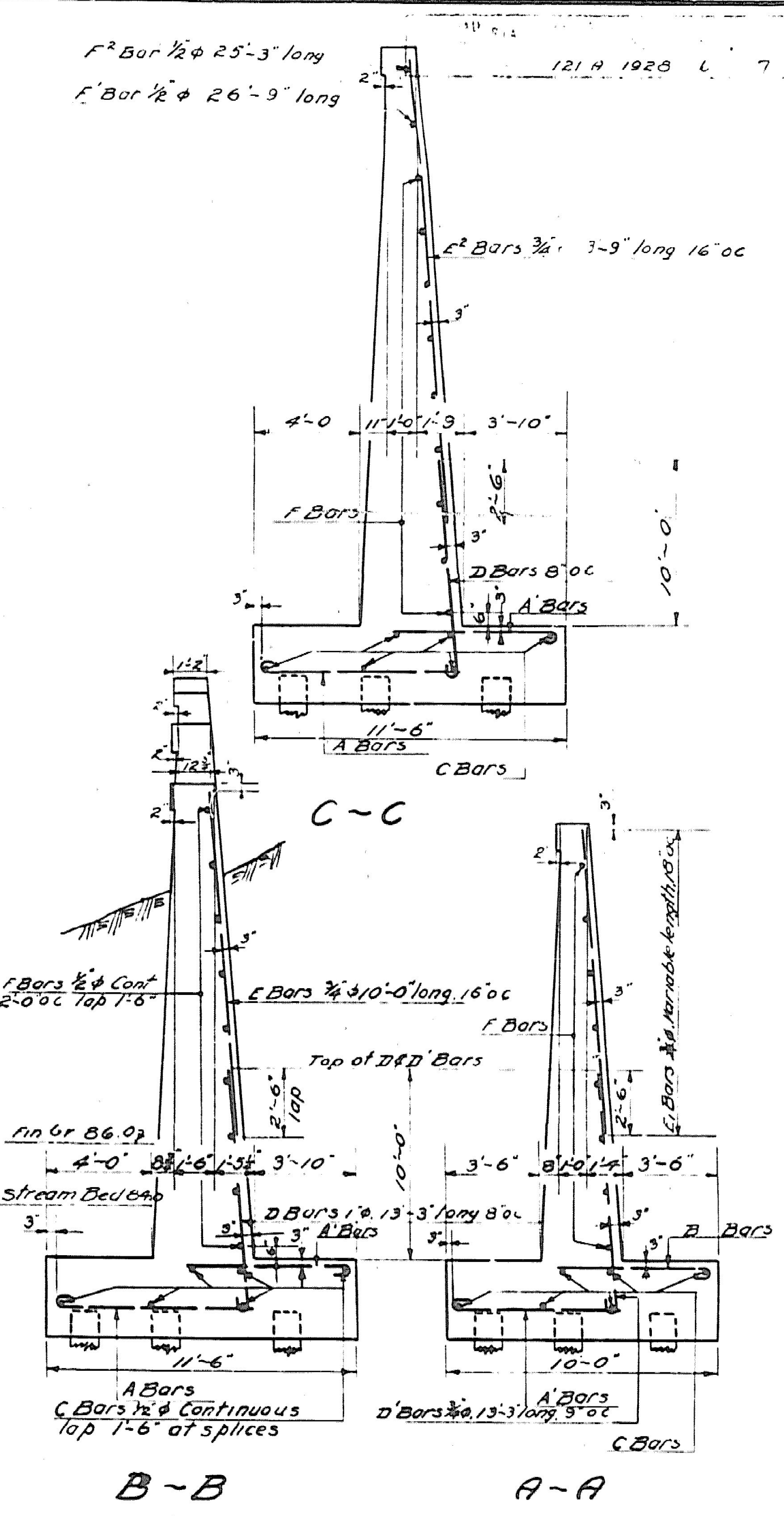


PLAN



ELEVATION



See Pier sheet for general notes, score marks and construction joint detail. See West Abutment sheet for standard bar hook.

**EAST ABUTMENT
STA 3+68
FIRE STATION BRIDGE
LUDLOW VT.**

**Ludlow
BRF 025-1(42)
FOR REFERENCE ONLY
SHEET 72 OF 73**

Estimated Quantities

Structure Excavation	855 cu. yds.
Timber Piling	1520 Lin. ft.
Class B Concrete 1:2 1/2:5	282 cu. yds.
Reinforcing Steel	10,000 Lbs.

Surveyed by	Radigan
Designed by	W.G.H.
Drawn by	H.B.W.
Traced by	H.B.W.
Checked by	M.R. Woodruff 4/6/22
Series	F No. 121A
Filed	4-18-21
Sheet	6 of 7 Sheets