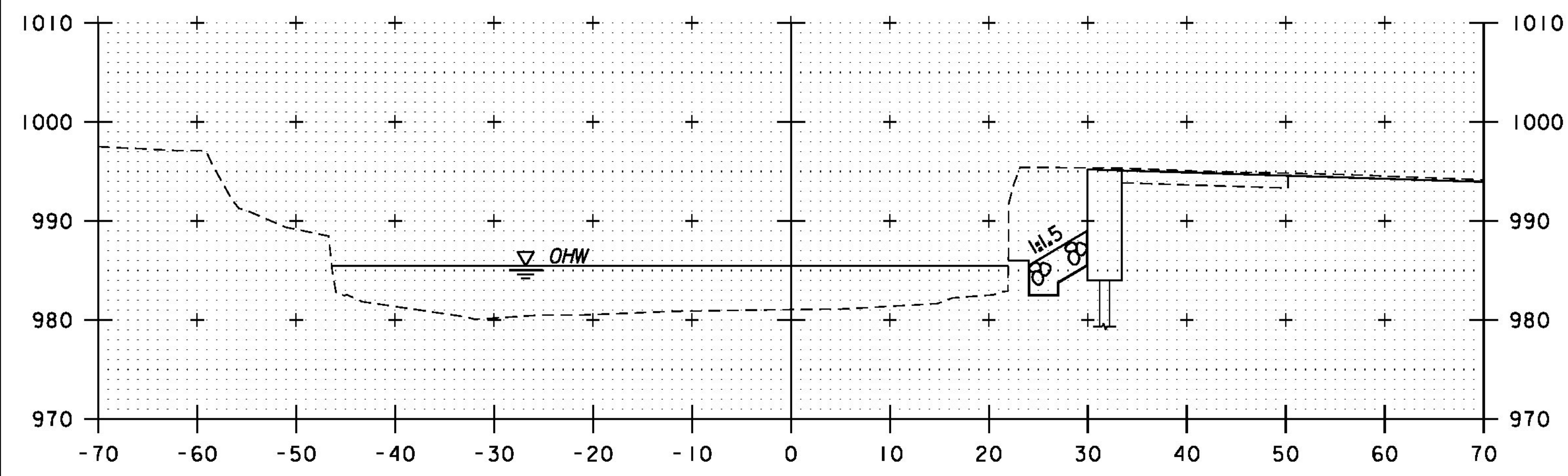


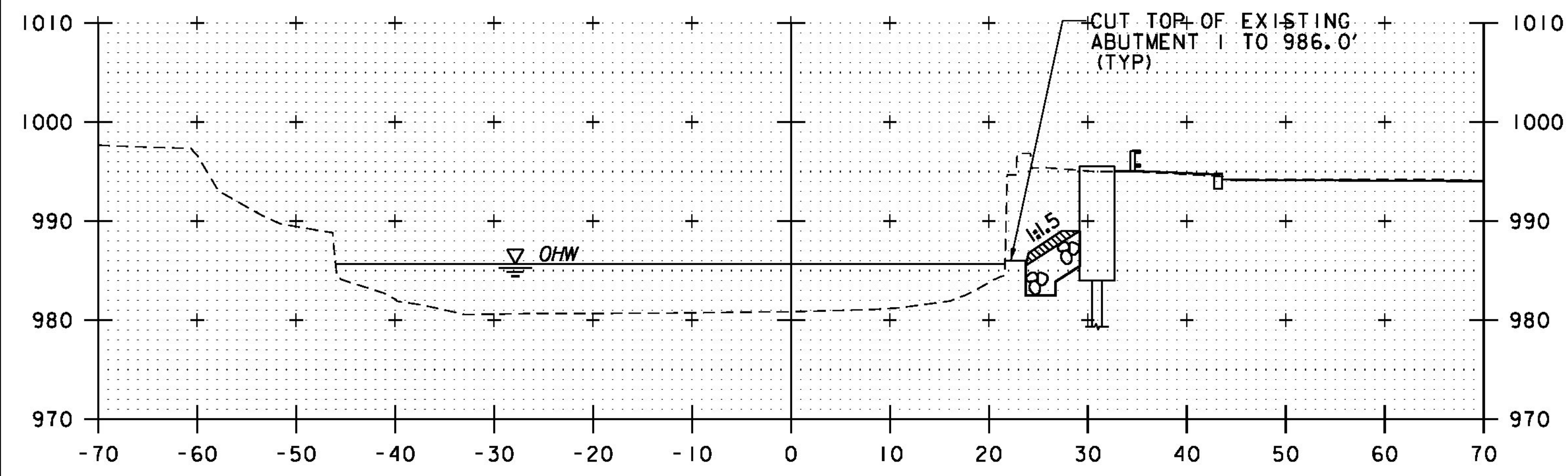
STA. 11+29, LT  
 BEGIN UNCLASSIFIED CHANNEL EXCAVATION  
 GEOTEXTILE UNDER STONE FILL  
 STONE FILL, TYPE III  
 GRUBBING MATERIAL

11+50



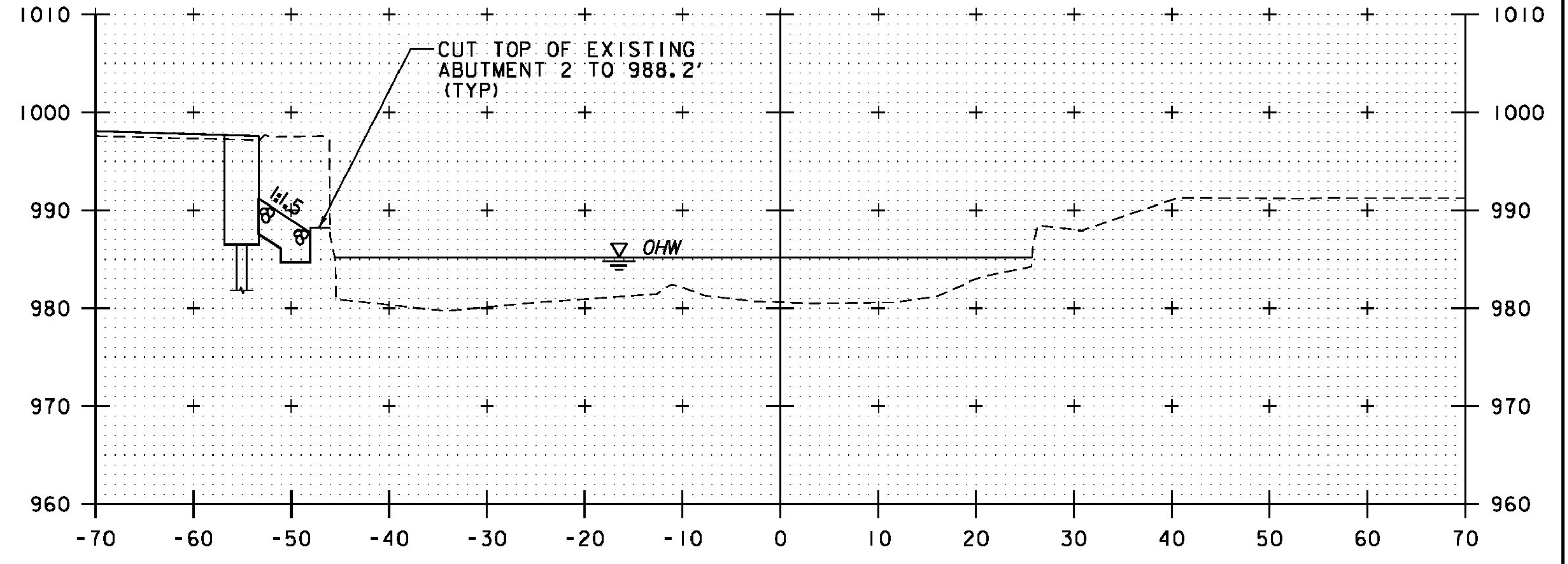
STA. 11+07, RT  
 END GRUBBING MATERIAL

11+25



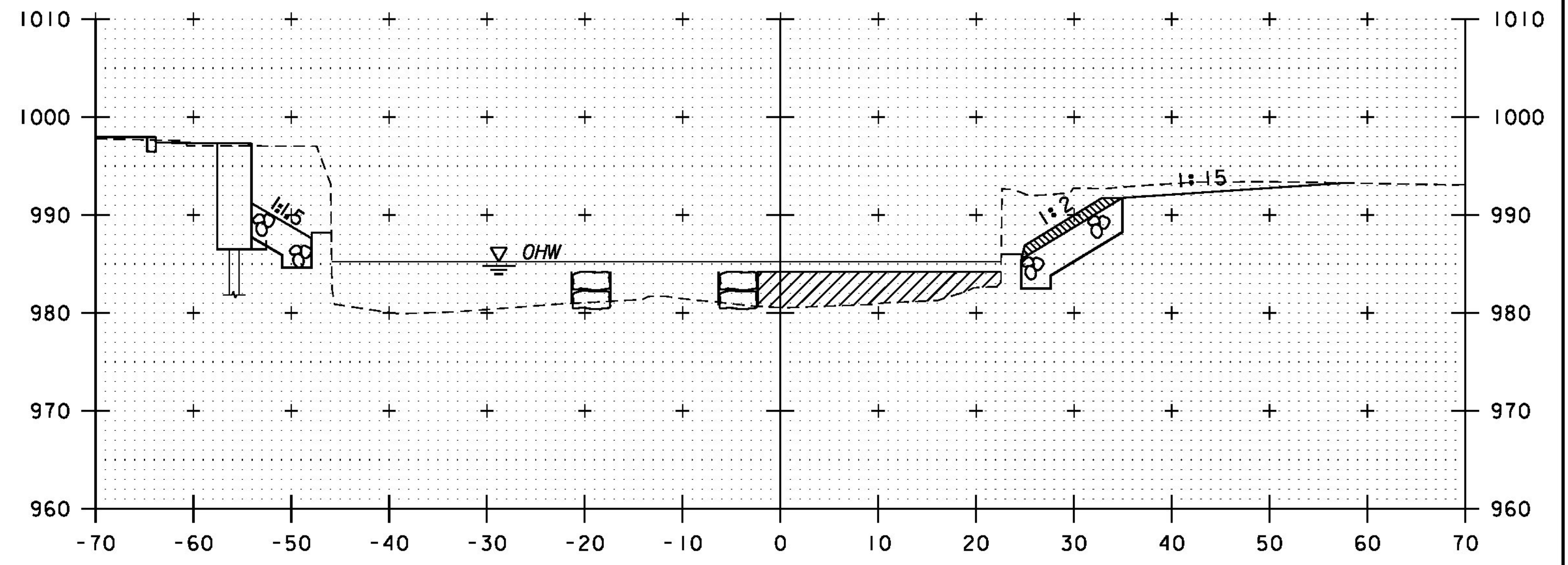
STA. 10+83, RT  
 BEGIN UNCLASSIFIED CHANNEL EXCAVATION  
 GEOTEXTILE UNDER STONE FILL  
 STONE FILL, TYPE III  
 GRUBBING MATERIAL

11+00



STA. 11+98, RT  
 END UNCLASSIFIED CHANNEL EXCAVATION  
 GEOTEXTILE UNDER STONE FILL  
 STONE FILL, TYPE III  
 GRUBBING MATERIAL

12+00



STA. 11+61, LT  
 END GRUBBING MATERIAL

11+75

STA. 11+55, RT  
 BEGIN GRUBBING MATERIAL

CHANNEL CROSS SECTIONS  
 STA. 11+00 TO 12+00



PROJECT NAME: LUDLOW	PLOT DATE: 8/23/2016
PROJECT NUMBER: BRF 025-(42)	DRAWN BY: E.A. FIALA
FILE NAME: z10J068xsl.dgn	CHECKED BY: A.P. GUYETTE
DESIGNED BY: E.A. FIALA	SHEET 60 OF 73
CHANNEL CROSS SECTIONS (2 OF 3)	