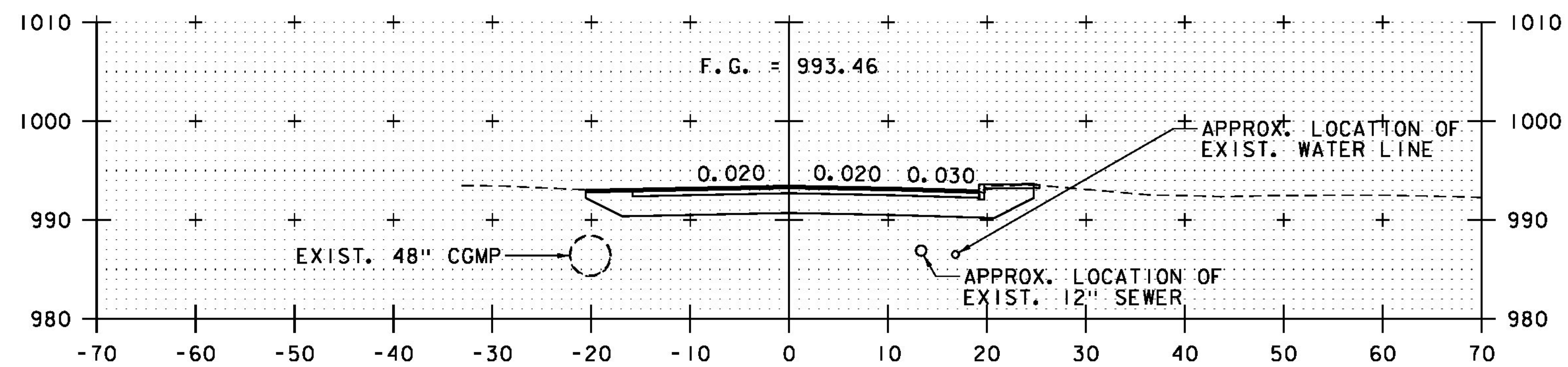
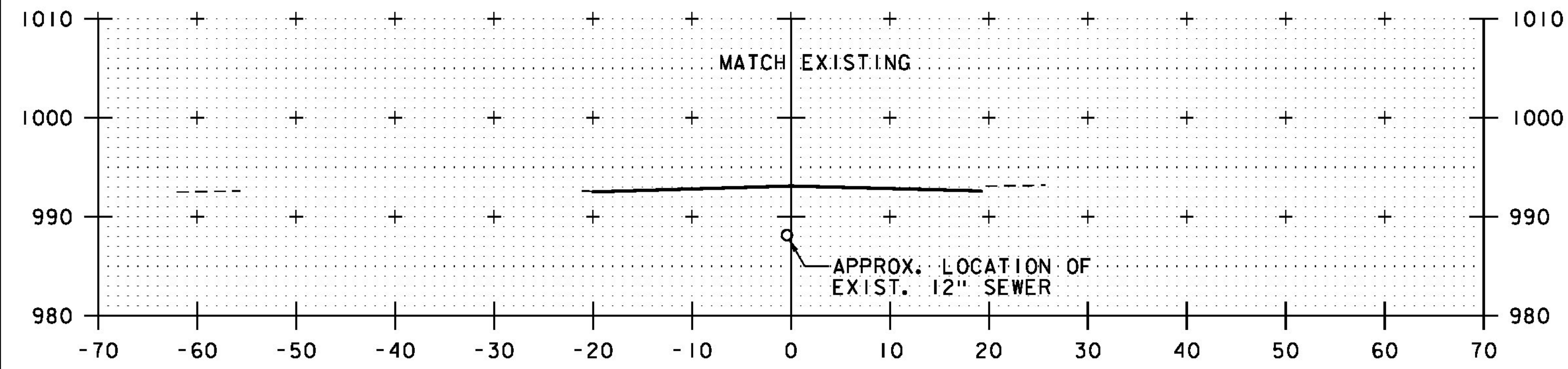


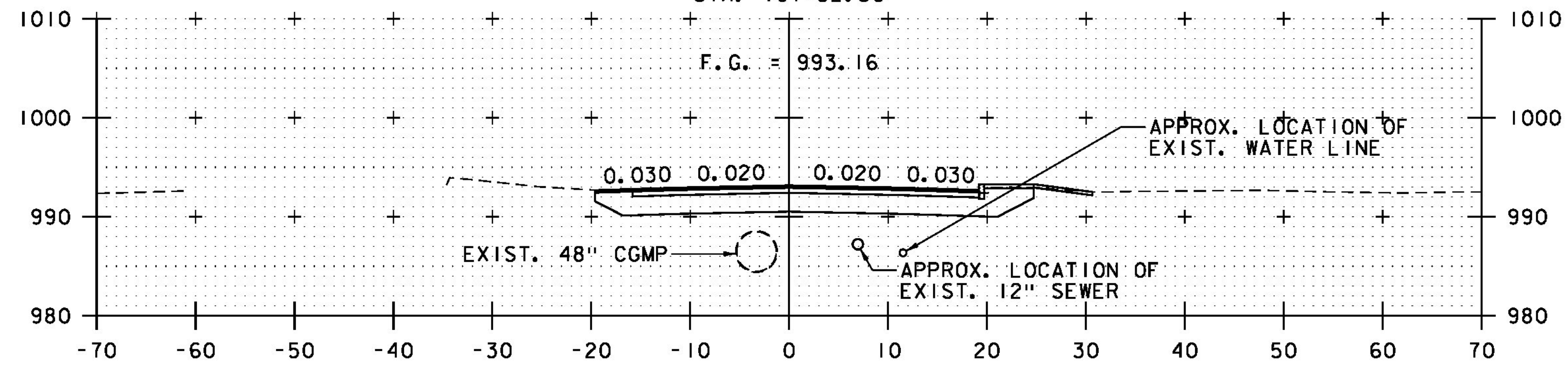
101+00



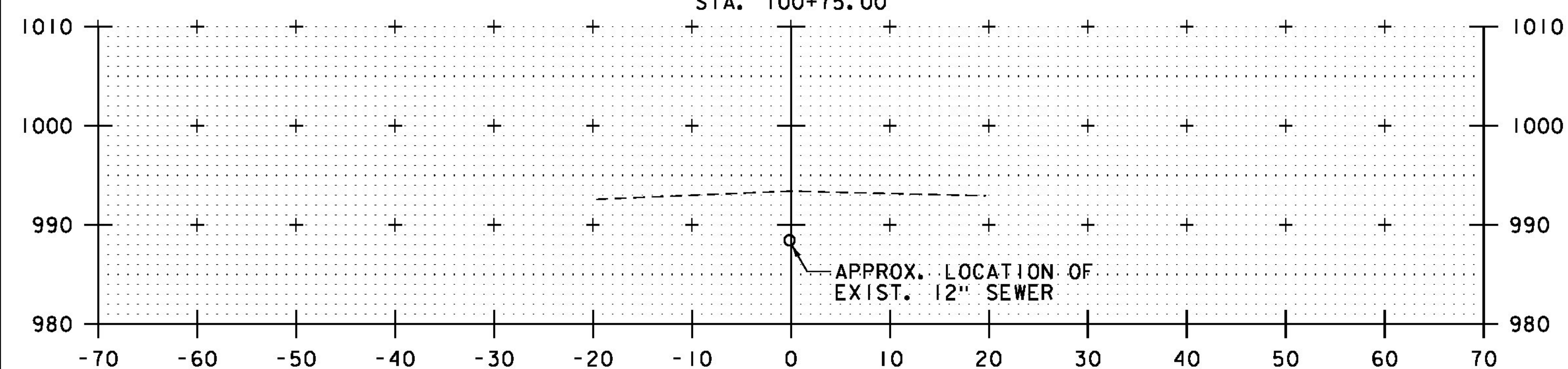
101+75
BEGIN PROJECT
STA. 101+52.50



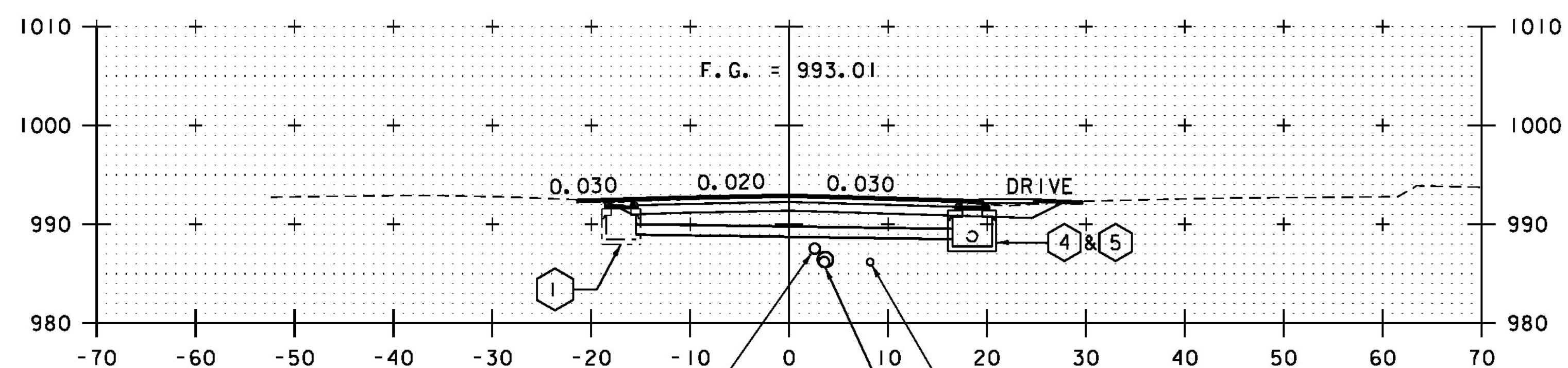
100+75
BEGIN APPROACH
STA. 100+75.00



101+50



100+50



101+25

ROADWAY CROSS SECTIONS
STA. 100+50 - 101+75



PROJECT NAME: LUDLOW	PLOT DATE: 8/23/2016
PROJECT NUMBER: BRF 025-(42)	DRAWN BY: E.F. LAWES
FILE NAME: z10j068xsl.dgn	CHECKED BY: A.P. GUYETTE
PROJECT LEADER: A.P. GUYETTE	ROADWAY CROSS SECTIONS (1 OF 4)
DESIGNED BY: E.F. LAWES	SHEET 55 OF 73