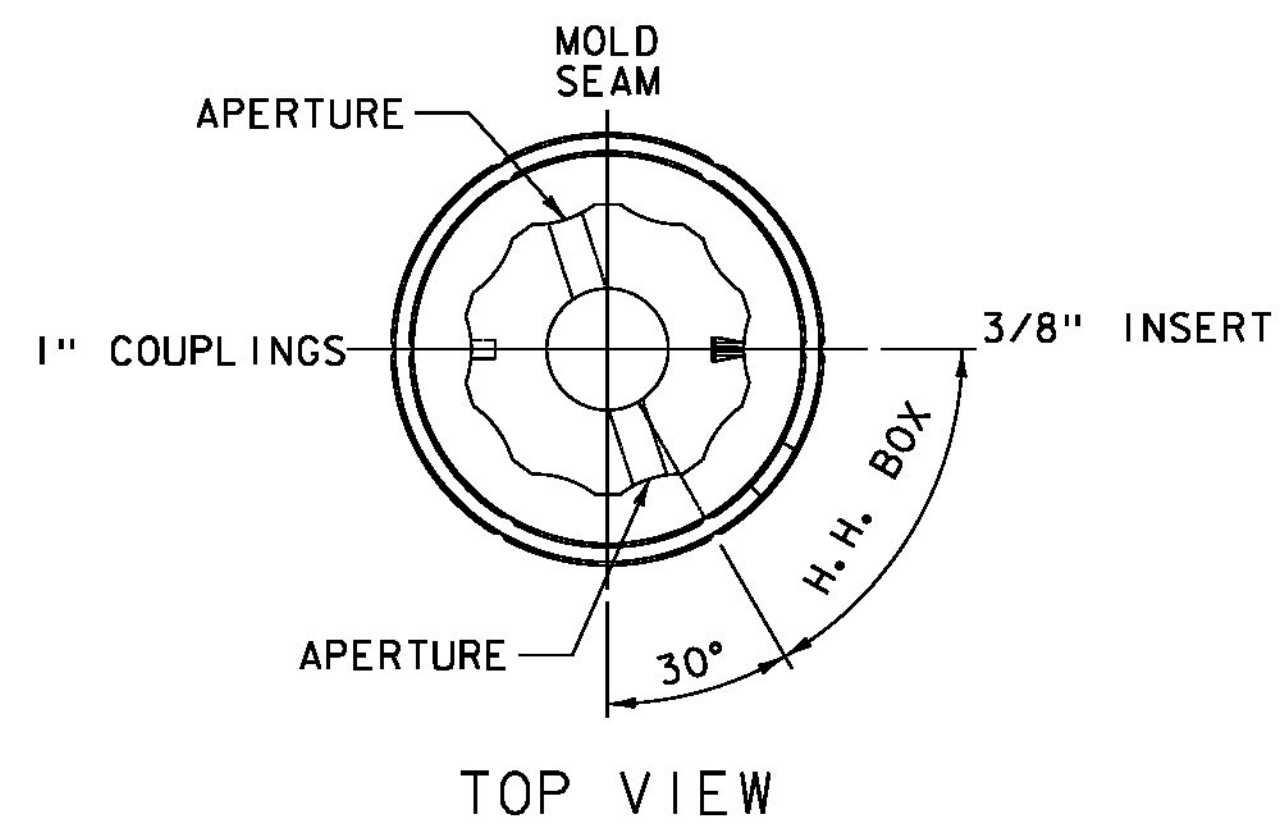


LUMINAIRE
NOT TO SCALE



TOP VIEW

DESCRIPTION OF COMPONENTS:

1. LUMINAIRE: KING LUMINAIRE, CATALOGUE NO.: K729-P4SA-111-60 (SSL) - 7030-120:277V-KPL20.
 QUANTITY: 4 EA.
 OPTICAL SYSTEM: FLAT ARRAY, SAG LENS.
 IES CLASS: TYPE III.
 WATTAGE: 60W (7030 SERIES).
 LAMP: FLAT LED ARRAY (INCLUDED).
 CCT/DIODE: 4000K/HE5.
 LIGHT SOURCE: SOLID STATE LIGHTING.
 LINE VOLTAGE: 120:277V.
 PAINT: FOREST GREEN (MATCH EXISTING COLOR).
 OPTIONS: KPL-20 LEVELING DEVICE.
2. KPL10 LEVELING DEVICE (EXISTING) .
3. MODIFIED KA40-T-1 MINI-SCROLL ARM C/W DECORATIVE SCROLL (EXISTING).
4. POLE: KWC14-G-E51 C/W 140-25/30 S/F BA WASHINGTON COACHMAN SPUN CONCRETE POLE (EXISTING).
5. H.H. BOX AND COVERPLATE C/W GROUNDWIRE & ALLENHEAD SCREWS.
6. STD. SMALL NAMEPLATE.
7. CONCRETE FOUNDATION: SHALL BE CONSTRUCTED IN ACCORDANCE WITH VTRANS STANDARD DRAWING T-133.

NOTES:

1. THE CONTRACTOR SHALL REMOVE AND STOCKPILE EXISTING STREET LIGHTING MATERIALS FROM THE BRIDGE SITE. EXISTING POLES, BRACKET ARMS, LEVELING DEVICES, AND LUMINAIRES SHALL BE REMOVED AND STORED IN A SECURE LOCATION.
2. THE TOWN OF LUDLOW WILL SUPPLY A FOURTH POLE, BRACKET ARM, AND LEVELING DEVICE TO THE CONTRACTOR FOR USE ON THE PROJECT.
3. EXISTING POLES, SCROLL ARMS, AND LEVELING DEVICES SHALL BE RESET AT THE LOCATIONS INDICATED IN THESE PLANS.
4. THE WORK TO REMOVE, STOCKPILE, AND RESET LIGHTING ELEMENTS SHALL BE PAID FOR UNDER ITEM 679.25, REMOVING AND RESETTING LIGHT POLE.
5. NEW LIGHT POLE FOUNDATIONS SHALL BE CONSTRUCTED IN ACCORDANCE WITH VTRANS STANDARD DRAWING T-133. PAYMENT FOR EXCAVATION, BACKFILL, ANCHOR BOLTS, AND CONSTRUCTION OF THE NEW CONCRETE LIGHT FOUNDATION SHALL INCLUDED UNDER ITEM 679.25, REMOVING AND RESETTING LIGHT POLE.
6. NEW LUMINAIRES AS SPECIFIED IN THESE PLANS SHALL BE INSTALLED ON EACH LIGHT POLE. THE LUMINAIRE SHALL BE MANUFACTURED BY KING LUMINAIRE.
7. EXISTING LUMINAIRES SHALL BECOME THE PROPERTY OF THE TOWN OF LUDLOW, VT AND DELIVERY TO THE TOWN SHALL BE COORDINATED THROUGH THE TOWN MANAGER.
8. WIRING FOR THE LUMINAIRE SHALL EXTEND FROM THE LUMINAIRE TO THE BASE OF THE POLE. THE COST FOR THE WIRING SHALL BE INCLUDED IN THE UNIT PRICE FOR ITEM 679.50, LUMINAIRE.
9. WIRING FROM THE POWER SOURCE TO THE BASE OF THE POLE SHALL BE DESIGNED AND SPECIFIED BY A QUALIFIED ELECTRICIAN. THE COST FOR WIRING FROM THE POWER SOURCE TO THE BASE OF THE POLE SHALL BE INCLUDED IN THE UNIT PRICE FOR ITEM 678.23, WIRED CONDUIT.
10. ALL EXPOSED HARDWARE SHALL BE STAINLESS STEEL.

PROJECT NAME: LUDLOW
 PROJECT NUMBER: BRF 025-(42)

FILE NAME: z10J068lighting.dgn PLOT DATE: 8/23/2016
 PROJECT LEADER: A.P. GUYETTE DRAWN BY: VHB
 DESIGNED BY: STRESSCRETE GROUP CHECKED BY: VHB
 LIGHTING DETAILS SHEET 54 OF 73

