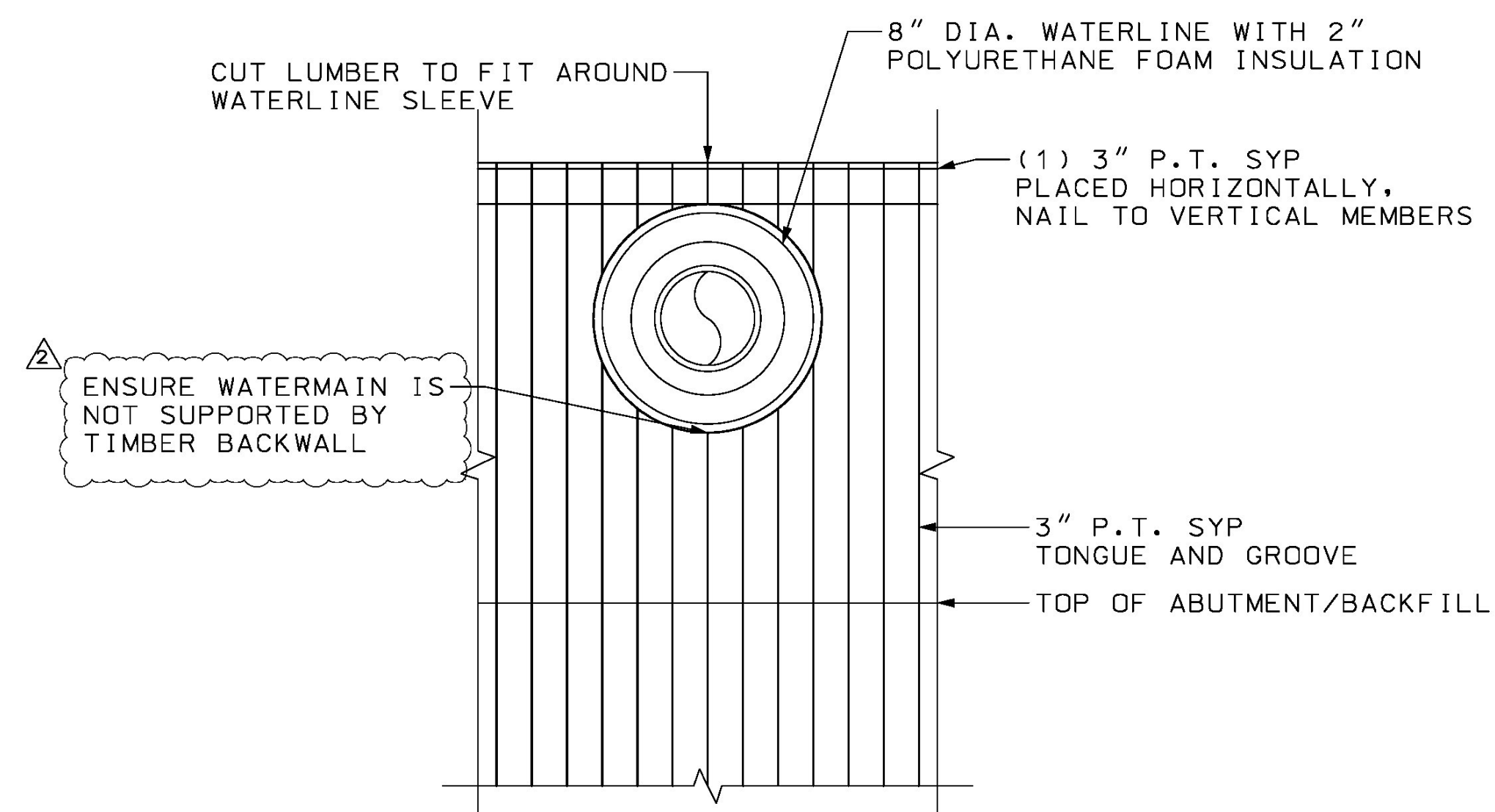
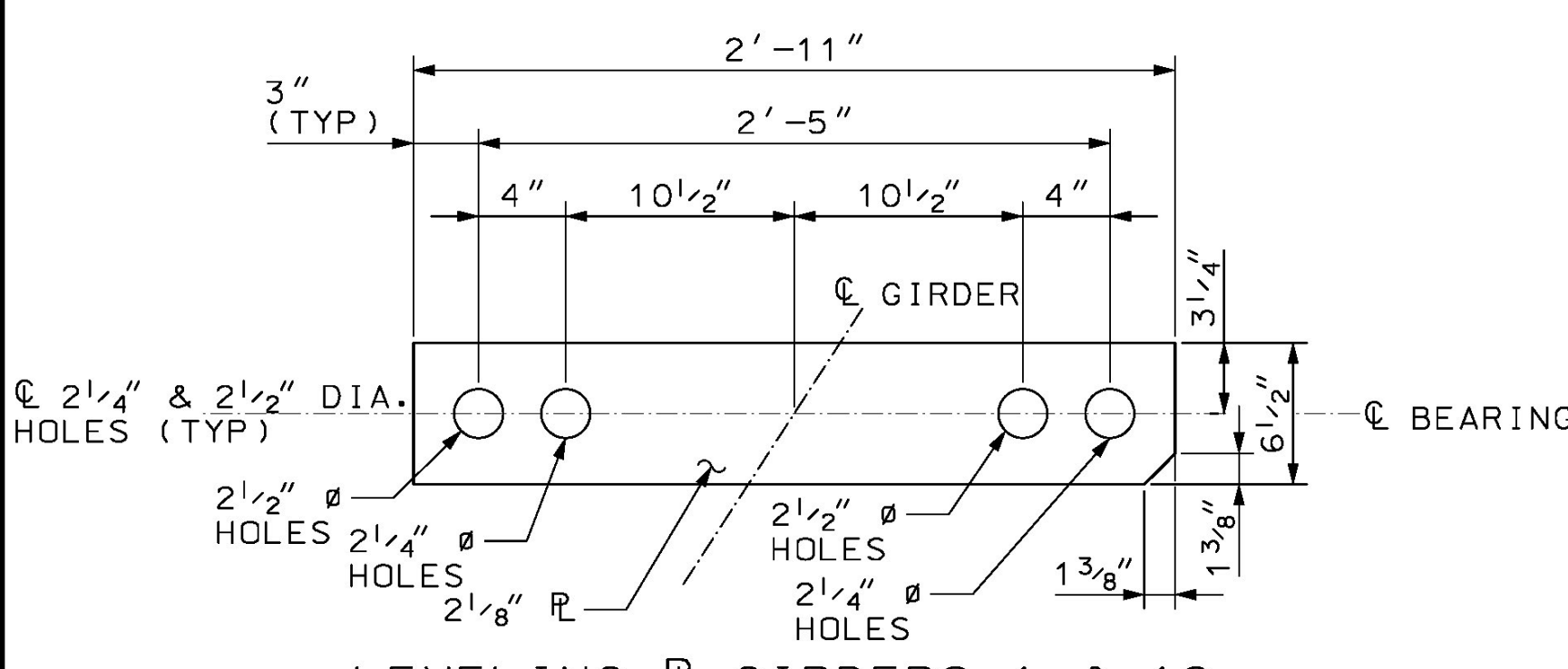


TEMPORARY TIMBER BACKWALL DETAIL
SCALE: 3/4" = 1'-0"

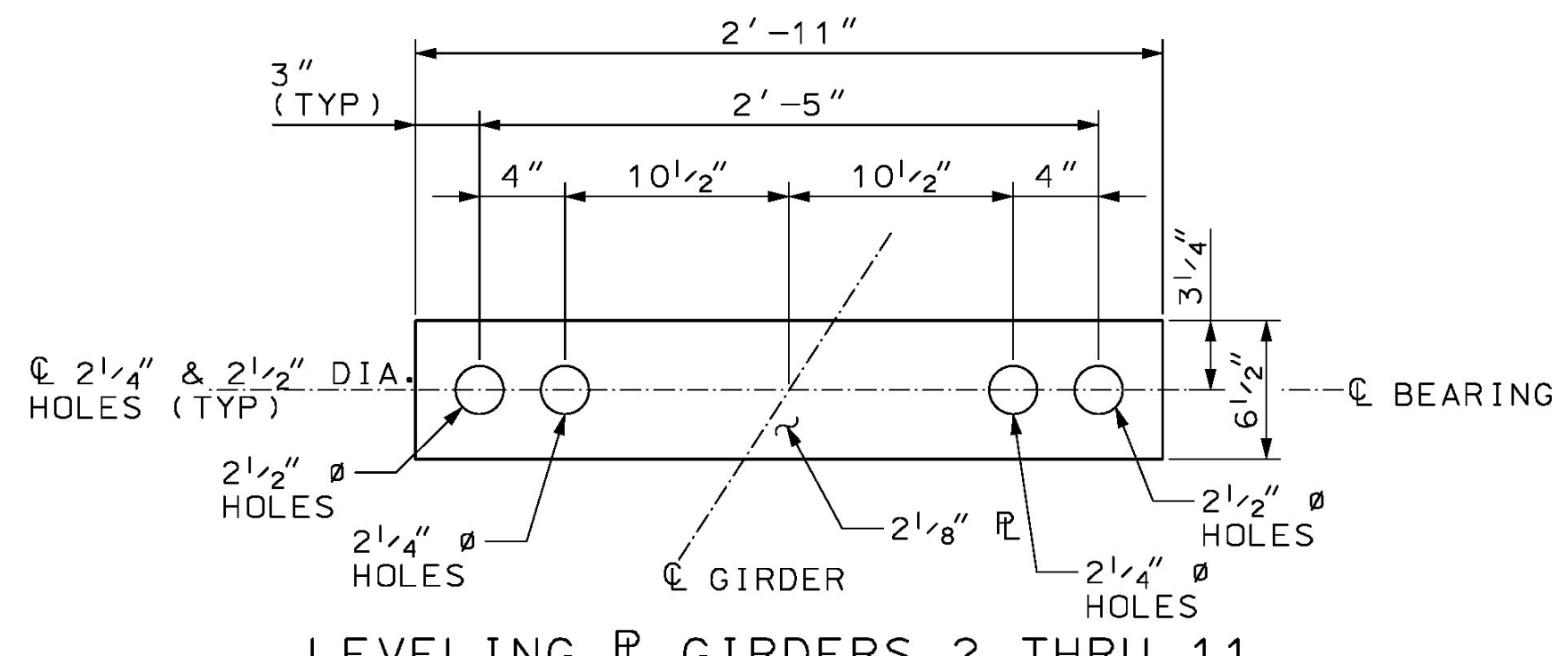


SECTION E-E (TIMBER BACKWALL @ WATERLINE)
SCALE: 1" = 1'-0"
NOTE: BACKFILL NOT SHOWN FOR CLARITY

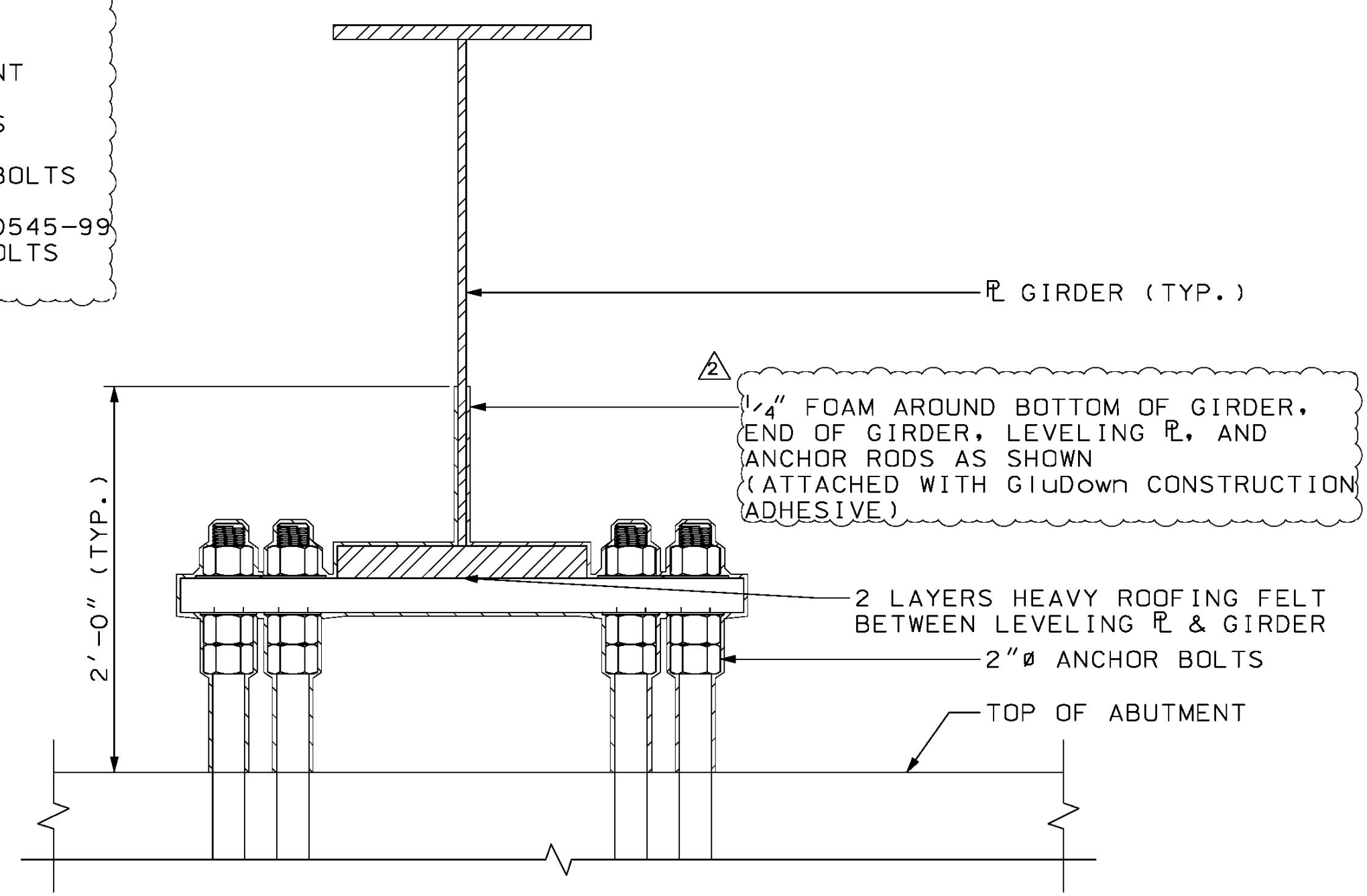
- NOTES**
1. CONTRACTOR TO USE VISUALLY GRADED #2 SOUTHERN YELLOW PINE
 2. MAX NOMINAL DIMENSIONS TO BE 3"x12"
 3. MINIMUM IMBEDMENT OF LUMBER TO BE 3'-8"
 4. LUMBER TO BE PLACED CONTINUOUSLY ALONG ABUTMENT
 5. LUMBER NOT TO BE EMBEDDED OR FASTENED TO THE ABUTMENT
 6. LUMBER TO BE TONGUE AND GROOVE
 7. COMPACTION OF SOIL BEHIND TIMBER BACKWALL TO VTRANS SPECIFICATIONS SECTION 300
 8. PAYMENT FOR ALL FOAM AT GIRDER ENDS AND ON ANCHOR BOLTS SHALL BE SUBSIDIARY TO STRUCTURAL STEEL
 9. FOAM SHALL BE CLOSED CELL POLYETHYLENE FOAM, ASTM D545-99
 10. FOAM SHALL BE ATTACHED TO GIRDER ENDS AND ANCHOR BOLTS WITH GIUDOWN CONSTRUCTION ADHESIVE



LEVELING R GIRDERS 1 & 12
SCALE: 1 1/2" = 1'-0"

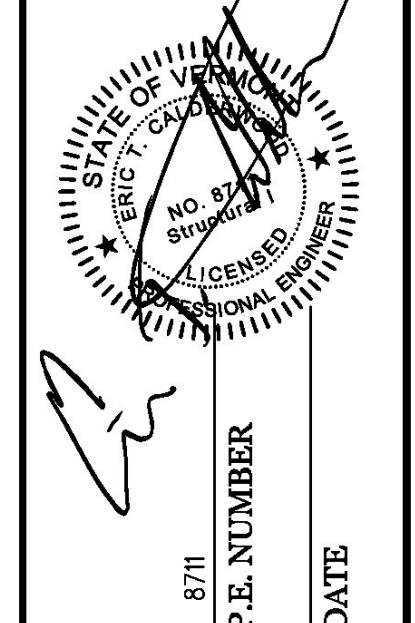


LEVELING R GIRDERS 2 THRU 11
SCALE: 1 1/2" = 1'-0"



SECTION D-D (1/4" FOAM ON STEEL)
SCALE: 1 1/2" = 1'-0"
NOTE: FELT AND FOAM ON ABUTMENT 2 ONLY

CALDERWOOD ENGINEERING, ETC.
STRUCTURAL ENGINEERING • DETAILING SERVICES
222 RIVER RD. RICHMOND, ME 04357 PH/FX (207) 337-2007/(207) 737-2008
PREPARED FOR:
COLD RIVER BRIDGES, LLC
CEE 16-16-COLD RIVER BRIDGES
01-CS-LUDLOW



DESIGN/DETAILS	CHECKED/REVIEWED	DATE
TDC	TDC	FEB 2017
REVISIONS 1	TDC	MAR 2017
REVISIONS 2	TDC	APR 2017
REVISIONS 3		
REVISIONS 4		
FIELD CHANGES		

VE SUPER DESIGN
LUDLOW VT. BR# 025-1(42)
ABUTMENT DETAILS (3 OF 3)

SHEET NUMBER
46B
of 73

