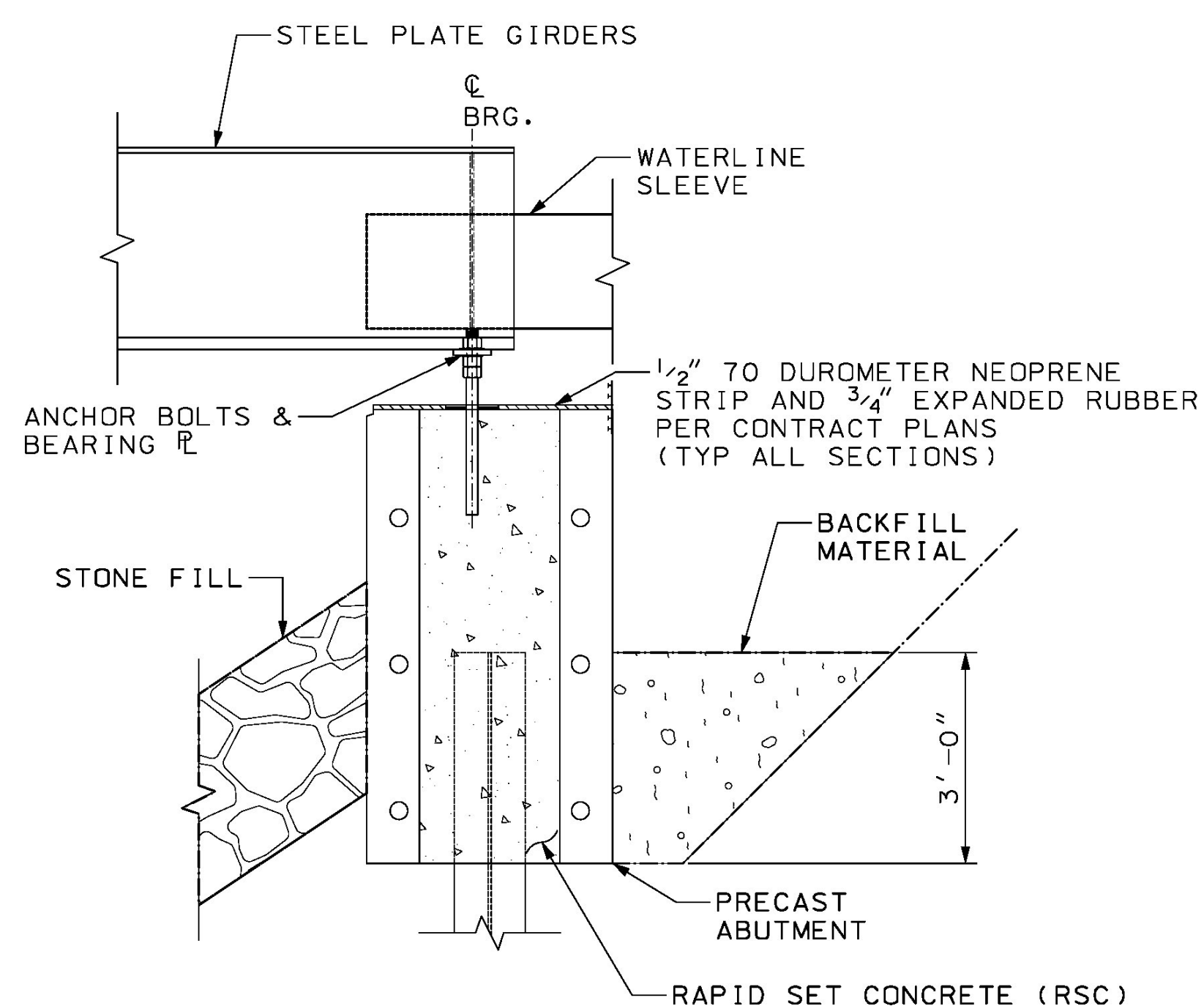


**PRIOR TO START OF SEQUENCE**

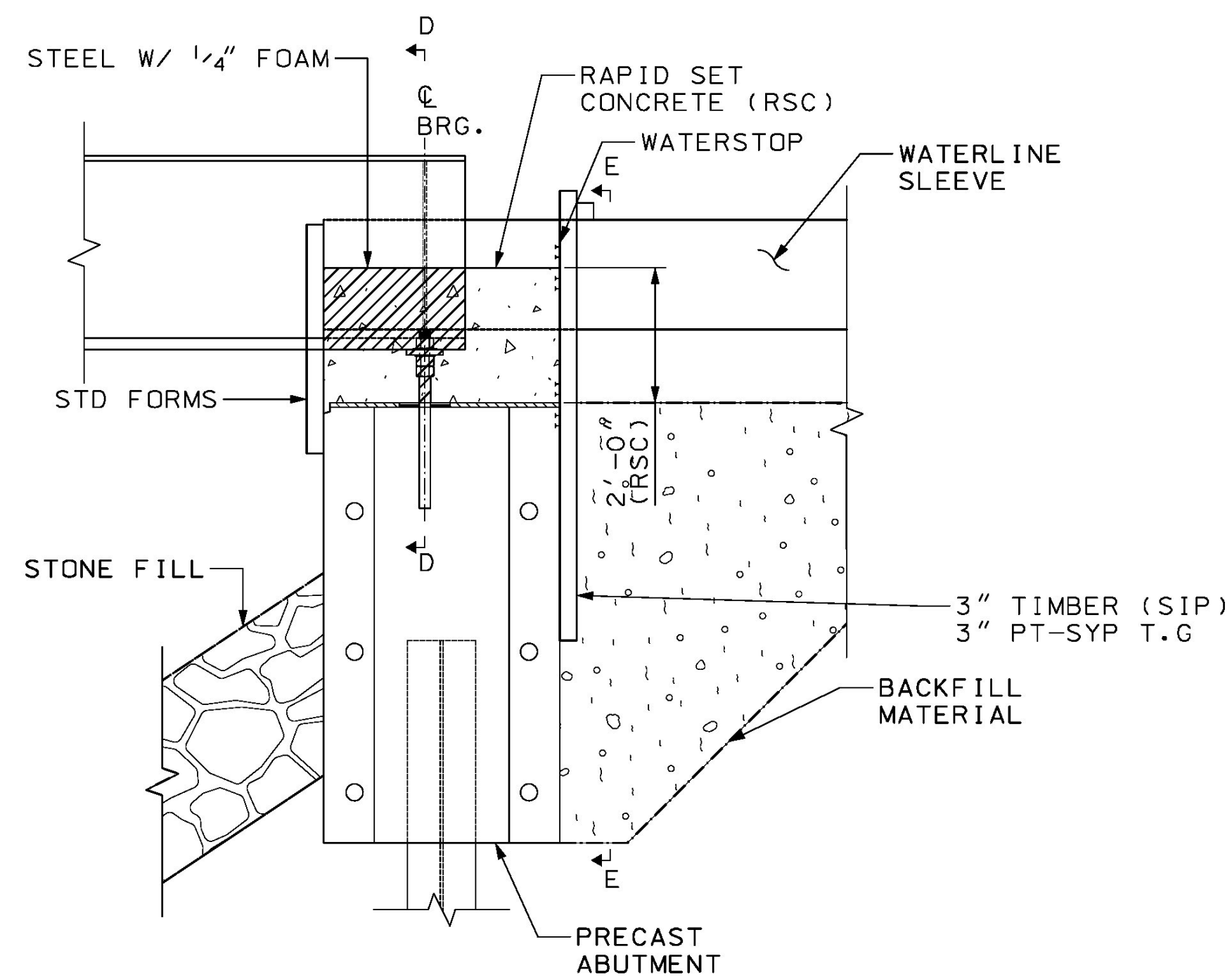
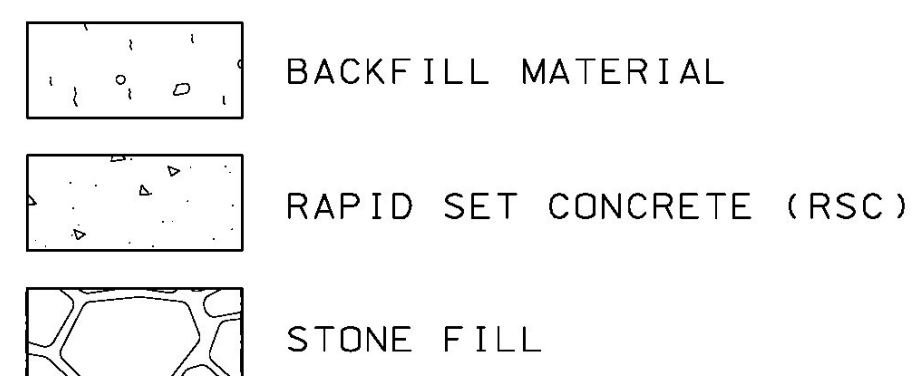
1. INSTALL AND POST TENSION ABUTMENTS, AND FILL PILE CAVITIES
2. INSTALL AND POST TENSION WINGWALL CAPS
3. BACKFILL BEHIND NEW ABUTMENT TO 3'-0"
4. PLACE STONE FILL ON FRONT FACE OF ABUTMENT
5. GREASE BEARINGS @ ABUTMENT 2



**STAGE 1:**

SCALE: 1/2" = 1'-0"

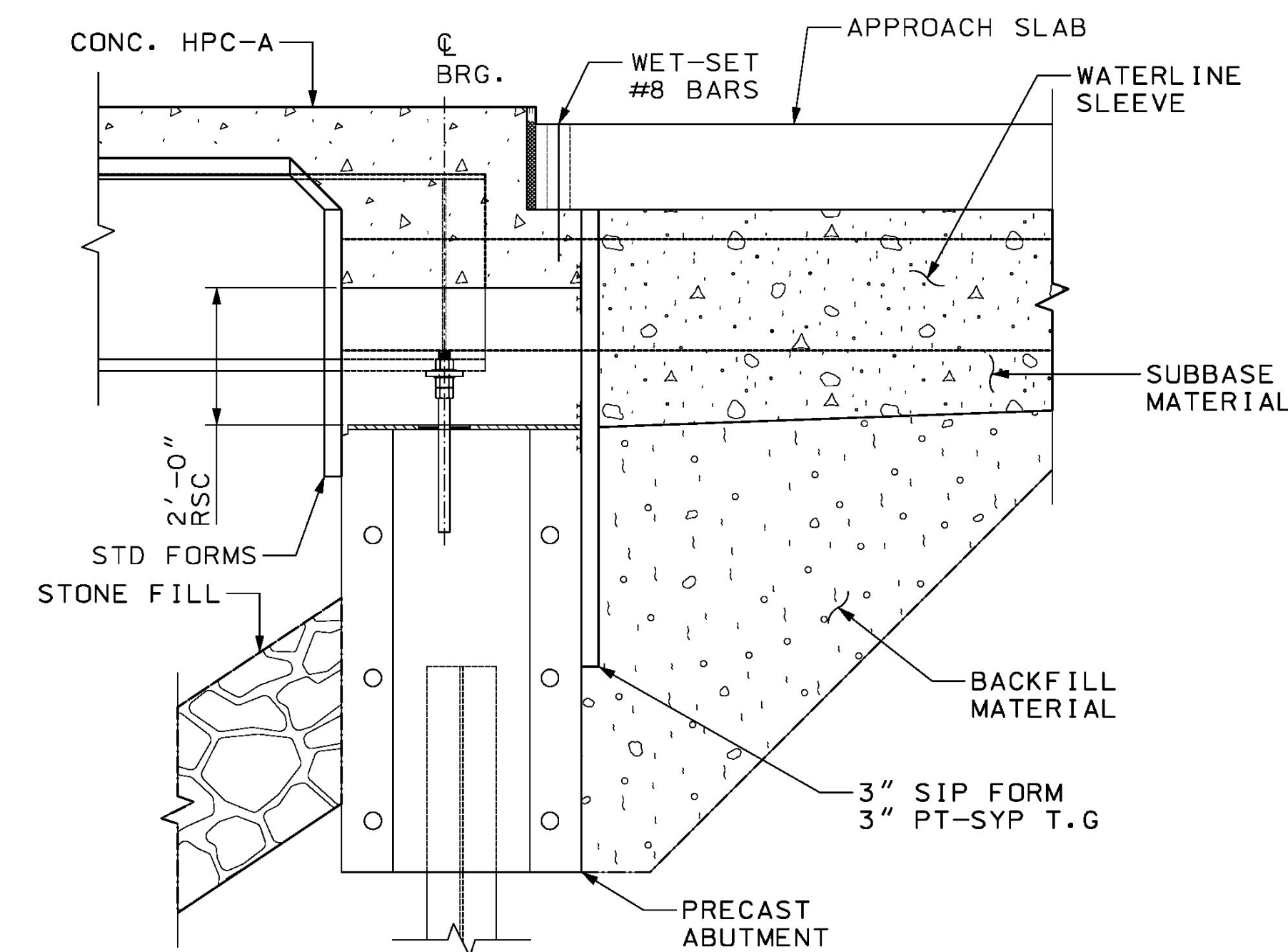
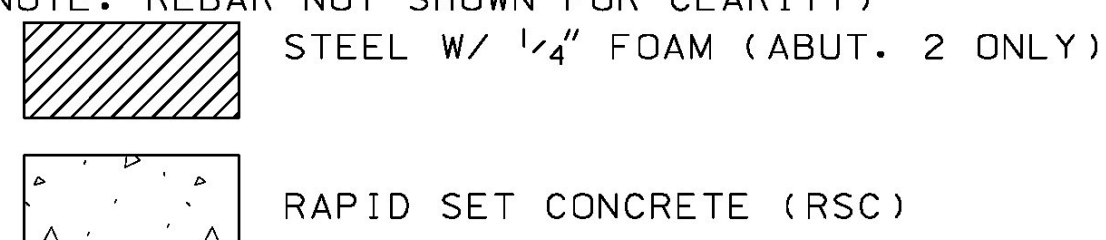
1. ERECT STRUCTURAL STEEL AND TORQUE ALL CONNECTIONS
  2. INSTALL WATERLINE SLEEVE
  3. GREASE BEARING PLATE (ABUT. 2 ONLY)
- (NOTE: REBAR NOT SHOWN FOR CLARITY)  
 (NOTE: NO GREASE WILL BE ALLOWED ON THE END OF THE GIRDER)



**STAGE 2:**

SCALE: 1/2" = 1'-0"

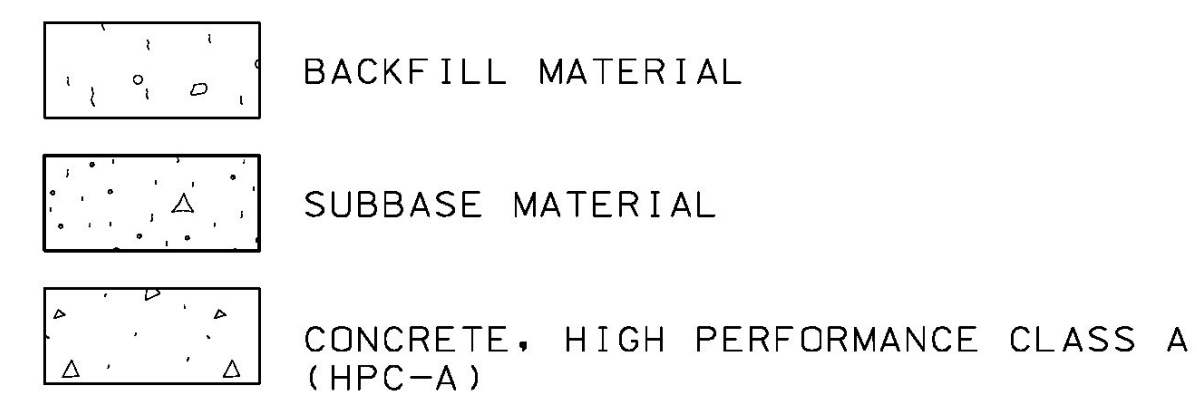
1. PLACE FOAM AS SHOWN AS WELL AS ON END OF GIRDER
  2. ENCASE ALL STEEL AND ANCHOR BOLTS IN RAPID SET POUR W/ 1/4" FOAM (ABUT. 2 ONLY)
  3. PLACE FORMWORK, INSTALL REBAR, INSTALL WATERSTOP
  4. POUR 2'-0"± OF RAPID SET CONCRETE
- (NOTE: REBAR NOT SHOWN FOR CLARITY)



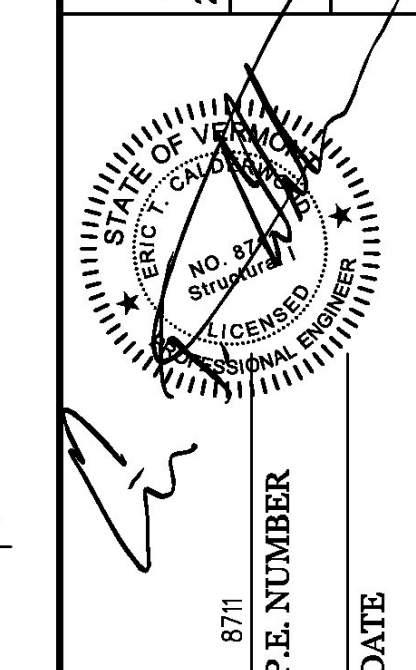
**STAGE 3:**

SCALE: 1/2" = 1'-0"

1. BACKFILL TO BOTTOM OF APPROACH SLAB W/ GBF'S AND SUBBASE MATERIALS
  2. SET APPROACH SLAB
  3. FORM AND POUR DECK
- (NOTE: REBAR NOT SHOWN FOR CLARITY)



CALDERWOOD ENGINEERING, ETC.  
 STRUCTURAL ENGINEERING • DETAILING SERVICES  
 222 RIVER RD. RICHMOND, ME 04357 PH/FX (207) 337-2007/(207) 737-2008  
 PREPARED FOR: **COLD RIVER BRIDGES, LLC**  
 CEE 16-16-COLD RIVER BRIDGES  
 01-CS-LUDLOW



DESIGN/REVIEWED	BY	DATE
TDC	TDC	MAR 2017
REVISIONS 1	TDC	MAR 2017
REVISIONS 2		
REVISIONS 3		
REVISIONS 4		
FIELD CHANGES		

**VE SUPER DESIGN**  
**LUDLOW VT. BR# 025-1(42)**  
**ABUTMENT DETAILS (3 OF 4)**

SHEET NUMBER  
**46A**  
 of 73

