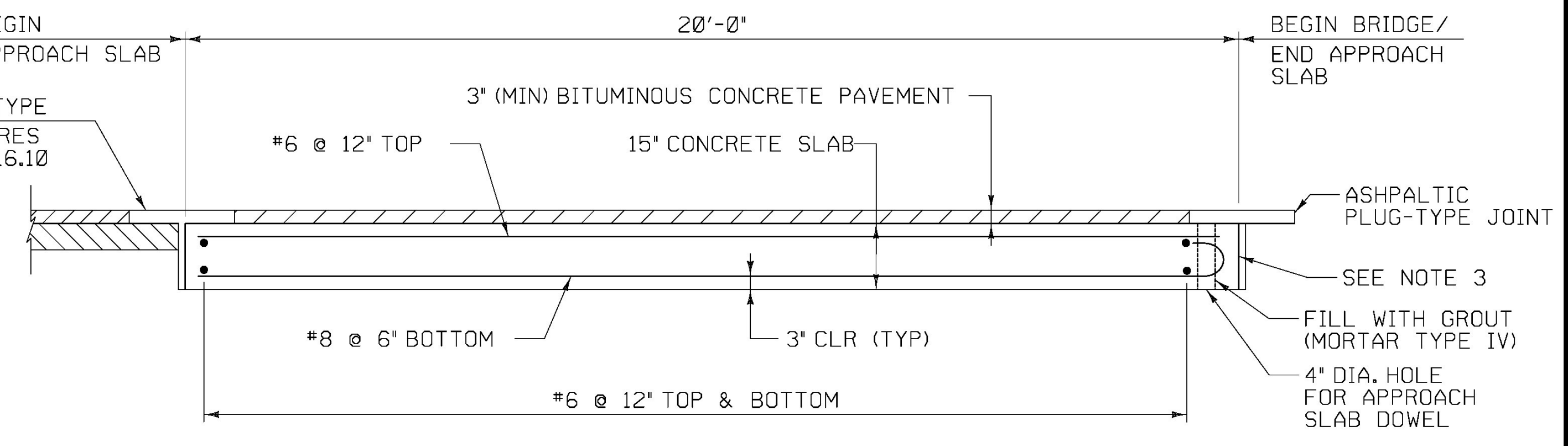
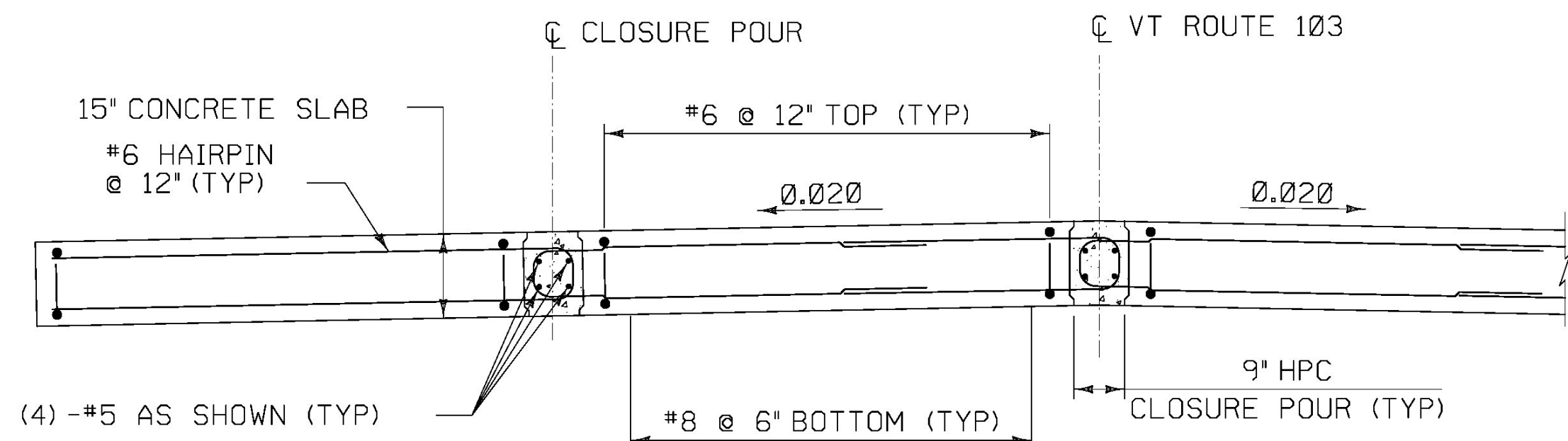


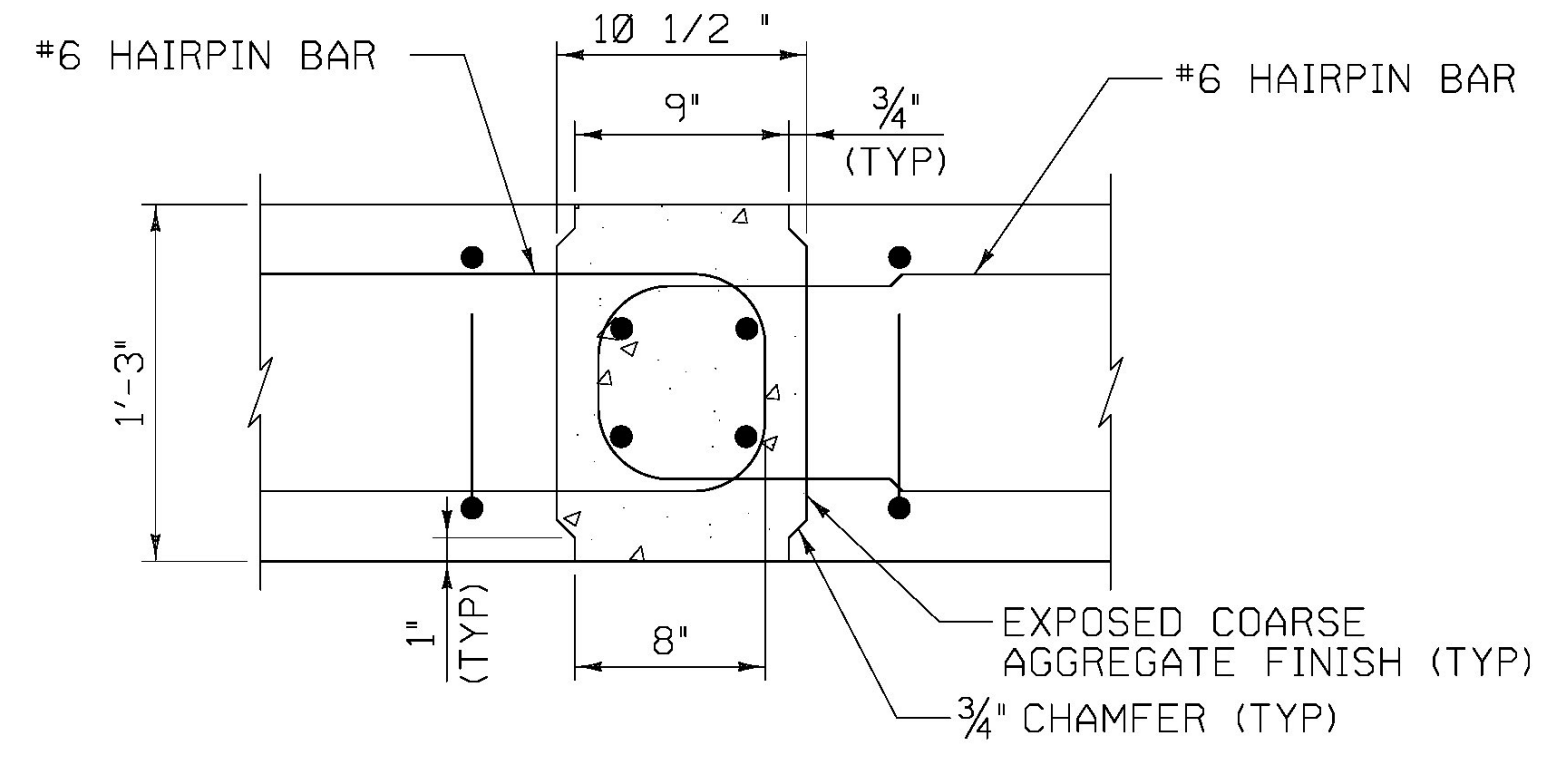
APPROACH SLAB NO. 1 PLAN
SCALE 3/8" = 1'-0"



SECTION A-A
SCALE 1/2" = 1'-0"



SECTION B-B
SCALE 1/2" = 1'-0"



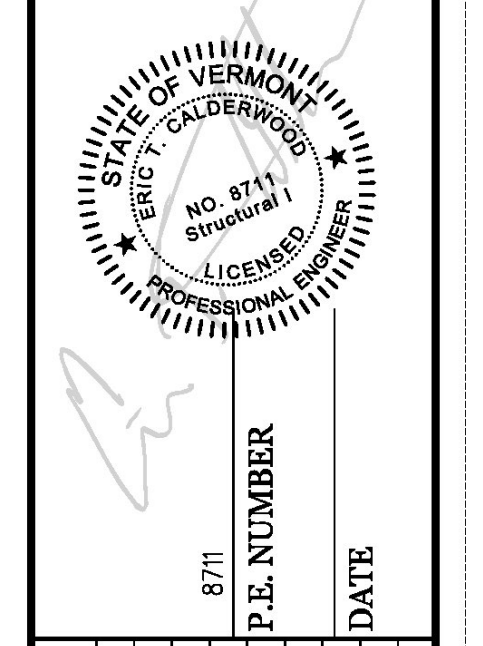
CONNECTION DETAIL
SCALE 1 1/2" = 1'-0"

NOTE:
NF = NEAR FACE
FF = FAR FACE
EF = EACH FACE
▲ = CUT TO FIT IN FIELD
3" CLEAR, UNLESS OTHERWISE SPECIFIED ON THE PLANS.
2'-2" BAR LAP UNLESS OTHERWISE SPECIFIED ON THE PLANS.

▲ - LIMITS OF SPECIAL PROVISION (ULTRA HIGH PERFORMANCE CONCRETE, RAPID SET)(FPQ) CLOSURE POUR

- NOTES:
1. LIFTING POINTS IN APPROACH SLABS TO BE LOCATED BY FABRICATOR.
 2. CONTRACTOR SHALL INCLUDE IN THE FABRICATION DRAWINGS THE METHOD AND DETAILS FOR ESTABLISHING CONTINUOUS CONTACT WITH SUBGRADE AND SUPPORT FOR PRECAST APPROACH SLABS.
 3. FRONT FACE OF APPROACH SLAB SHALL BE VERTICAL WHEN PLACED ON APPROACH SLAB SEAT.

CALDERWOOD ENGINEERING, ETC.
STRUCTURAL ENGINEERING • DETAILING SERVICES
222 RIVER RD., RICHMOND, ME 04857 PH/FX (207) 737-2007/(207) 737-2008
PREPARED FOR:
COLD RIVER BRIDGES, LLC
CEE 16-16-COLD RIVER BRIDGES
01-CS-LUDLOW



DATE	BY	REVISIONS
JAN 2017	TDC	DESIGN-DETAILED
	TDC	CHECKED-REVIEWED
MAR 2017	TDC	REVISIONS 1
		REVISIONS 2
		REVISIONS 3
		REVISIONS 4
		FIELD CHANGES

VE SUPER DESIGN
LUDLOW VT. BR# 025-1(42)
APPROACH SLAB DETAILS (1 OF 2)

SHEET NUMBER
40
of 73

