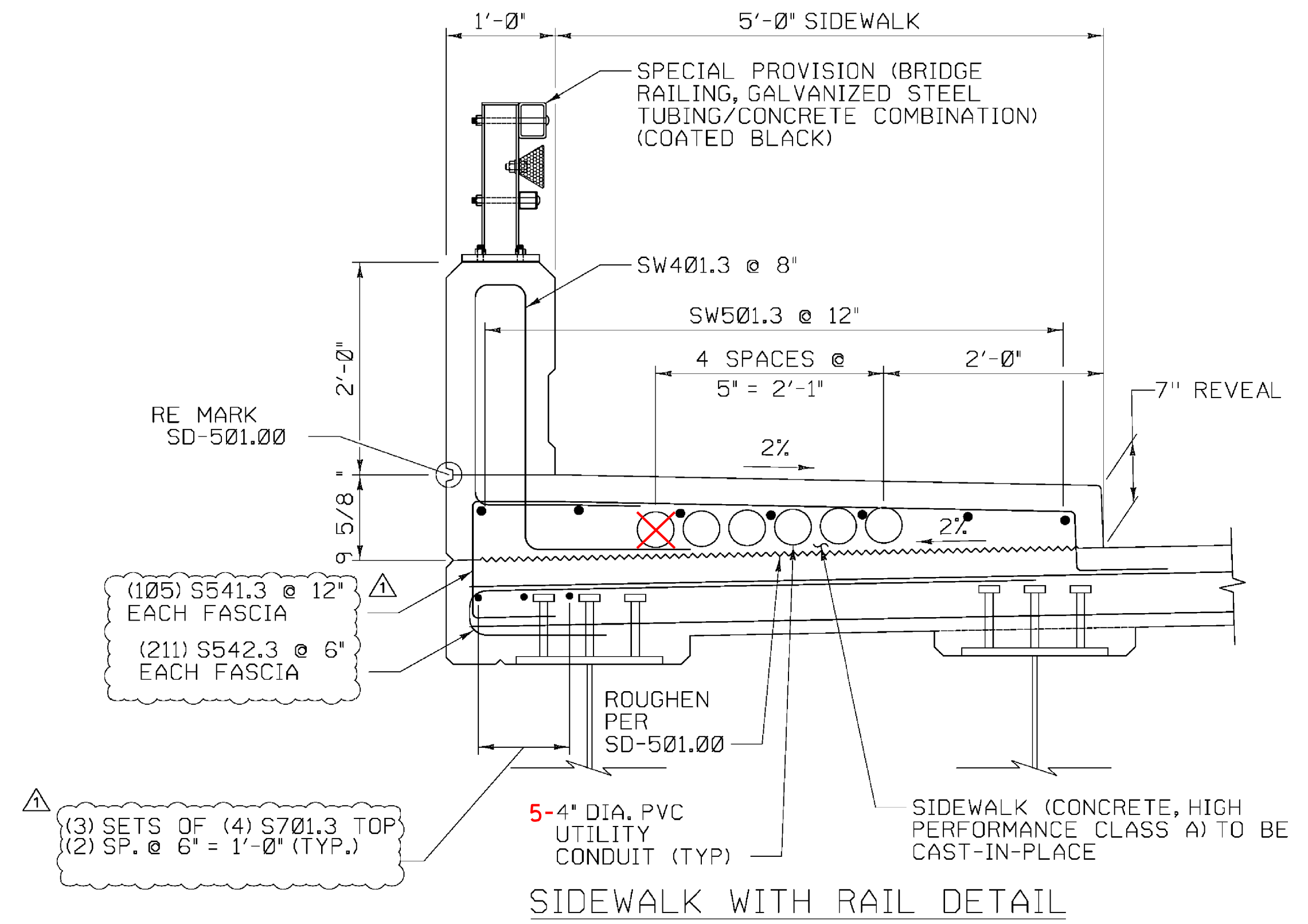


DECK TYPICAL SECTION
SCALE 1/2" = 1'-0"



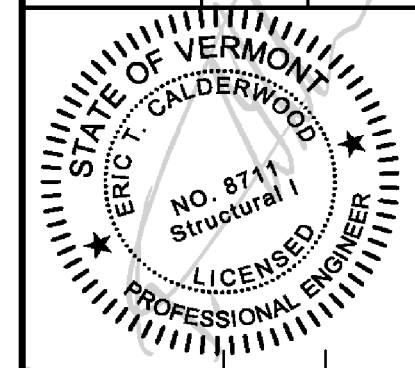
SIDEWALK WITH RAIL DETAIL
SCALE 1" = 1'-0"

- NOTES:
- LONGITUDINAL BARS IN BRIDGE RAIL & DECK NOT SHOWN FOR CLARITY.
 - SEE STANDARD S-352A FOR ADDITIONAL CONCRETE RAILING REINFORCING.

NOTE:

- NF = NEAR FACE
- FF = FAR FACE
- EF = EACH FACE
- ▲ = CUT TO FIT IN FIELD
- 3" CLEAR, UNLESS OTHERWISE SPECIFIED ON THE PLANS.
- 2'-2" BAR LAP UNLESS OTHERWISE SPECIFIED ON THE PLANS.

CALDERWOOD ENGINEERING, ETC.
STRUCTURAL ENGINEERING • DETAILING SERVICES
222 RIVER RD. RICHMOND, ME 04857 PH/FX (207) 737-2007/(207) 737-2008
PREPARED FOR:
COLD RIVER BRIDGES, LLC
CEE 16-16-COLD RIVER BRIDGES
01-CS-LUDLOW



DATE: 8/7/11
P.E. NUMBER: 8711
DATE: 8/7/11

DATE	BY	DESIGN-DETAILED	CHECKED-REVIEWED	REVISIONS 1	REVISIONS 2	REVISIONS 3	REVISIONS 4	FIELD CHANGES
JAN 2017	TDC							
MAR 2017	TDC							

VE SUPER DESIGN
LUDLOW VT. BR# 025-1(42)
DECK REINFORCEMENT SECTION

SHEET NUMBER
37
of 73

