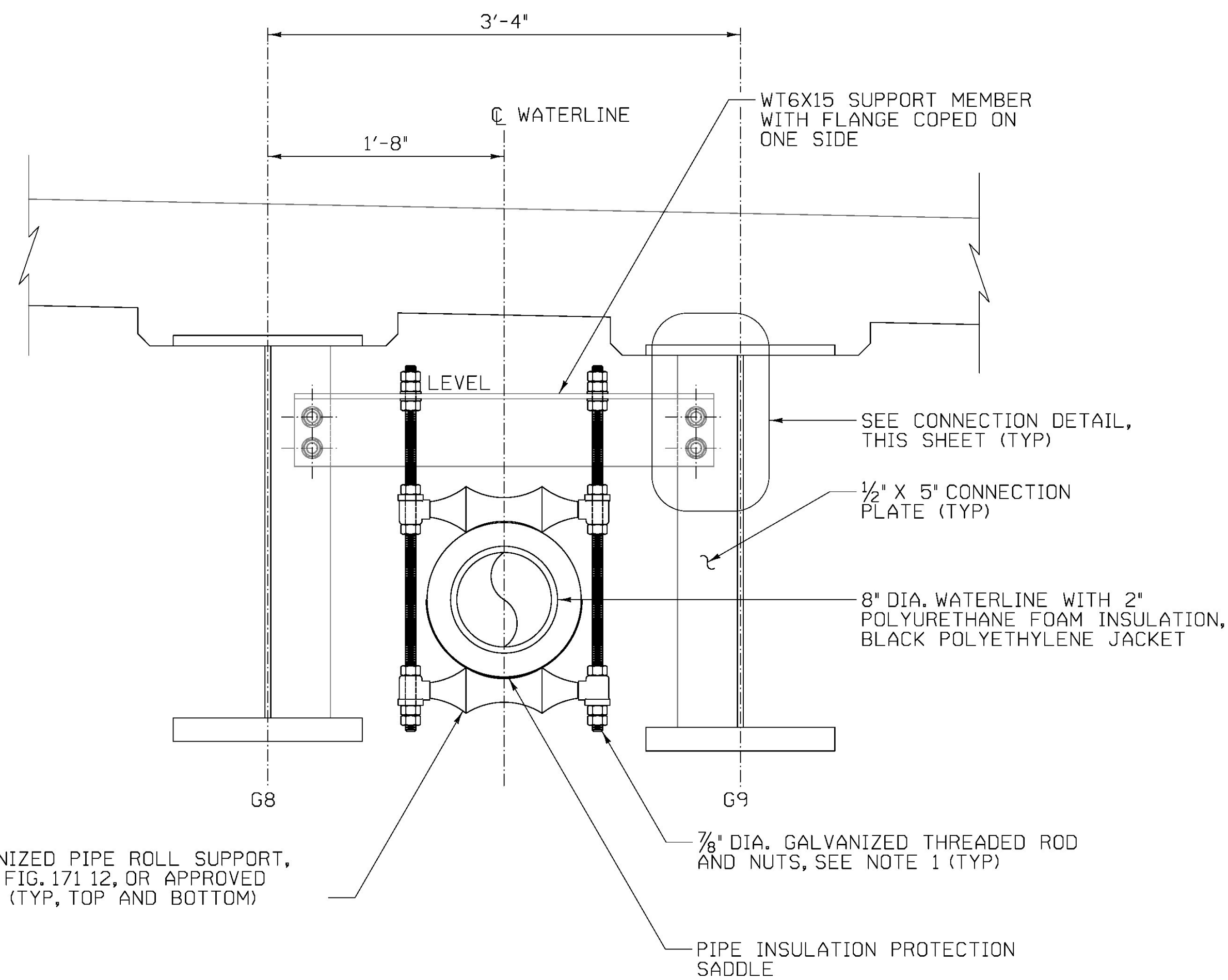


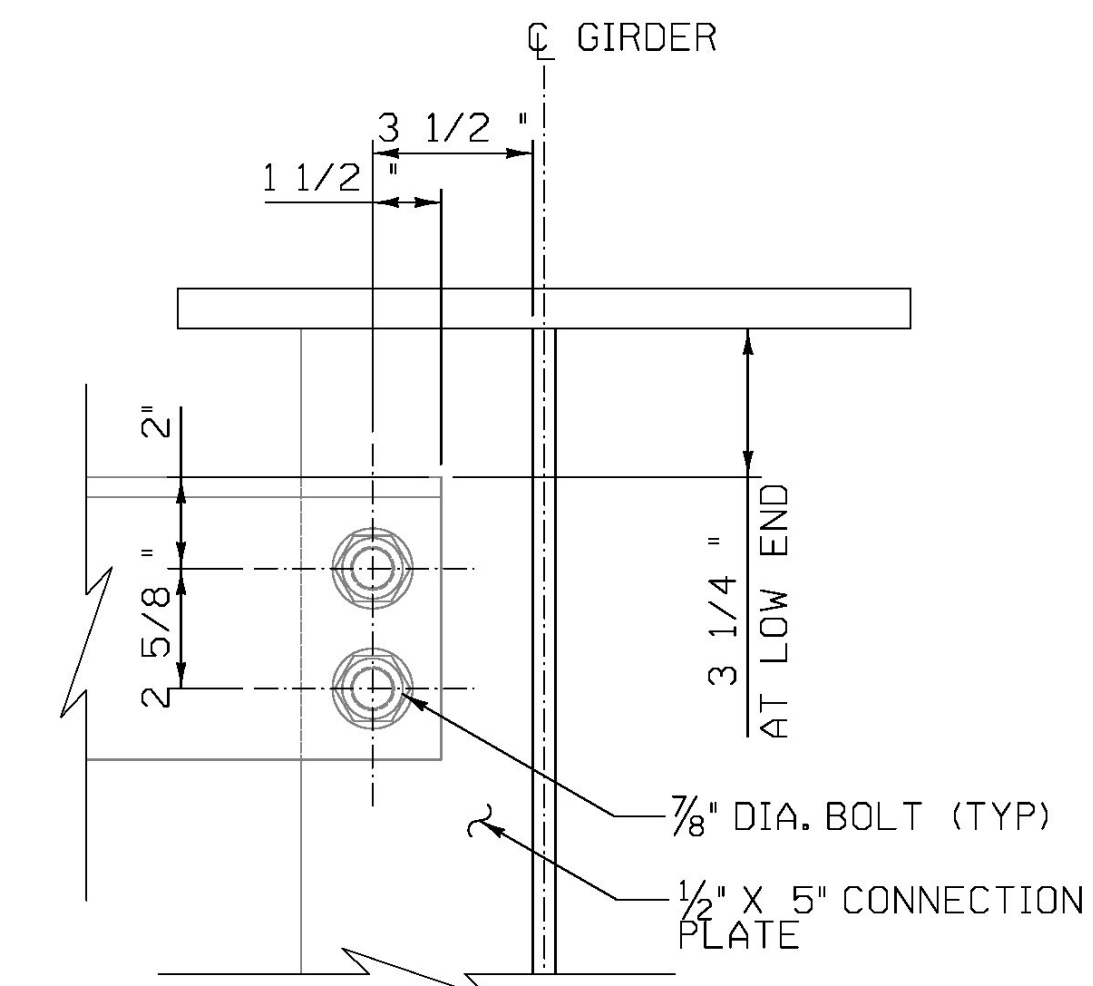
WATERLINE SUPPORT PLAN  
SCALE: 1 1/2" = 1'-0"



WATERLINE SUPPORT SECTION  
SCALE: 1 1/2" = 1'-0"

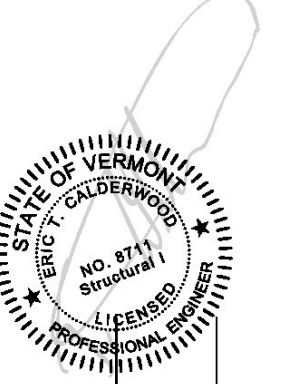
NOTES:

1. TOP AND BOTTOM NUTS SHALL BE DOUBLE NUTTED AS SHOWN.
2. WASHERS SHALL BE INSTALLED BETWEEN NUTS AND SUPPORT BEAM.
3. CONTRACTOR SHALL SET WATERLINE SO AS TO AVOID CONFLICT BETWEEN PIPE SUPPORTS AND JOINT ASSEMBLIES.
4. SEE SHEET 46A & 46B FOR TIMBER BACKWALL DETAILS AROUND SLEEVE



CONNECTION DETAIL  
SCALE: 3" = 1'-0"

CALDERWOOD ENGINEERING, ETC.  
STRUCTURAL ENGINEERING • DETAILING SERVICES  
222 RIVER RD, RICHMOND, ME 04857 PH/FX (207) 737-4007/(207) 737-2008  
PREPARED FOR:  
**COLD RIVER BRIDGES, LLC**  
CEE 16-16-COLDRIVERBRIDGES



DATE  
P.E. NUMBER  
S/N

DATE	BY	DESIGN-DETAILED	CHECKED-REVIEWED	REVISIONS 1	REVISIONS 2	REVISIONS 3	REVISIONS 4	FIELD CHANGES
JUN 2017	TDC							
MAR 2017	TDC							

VE SUPER DESIGN  
LUDLOW VT. BR# 025-1(42)  
WATERLINE SUPPORT DETAILS

SHEET NUMBER

26

of 73

