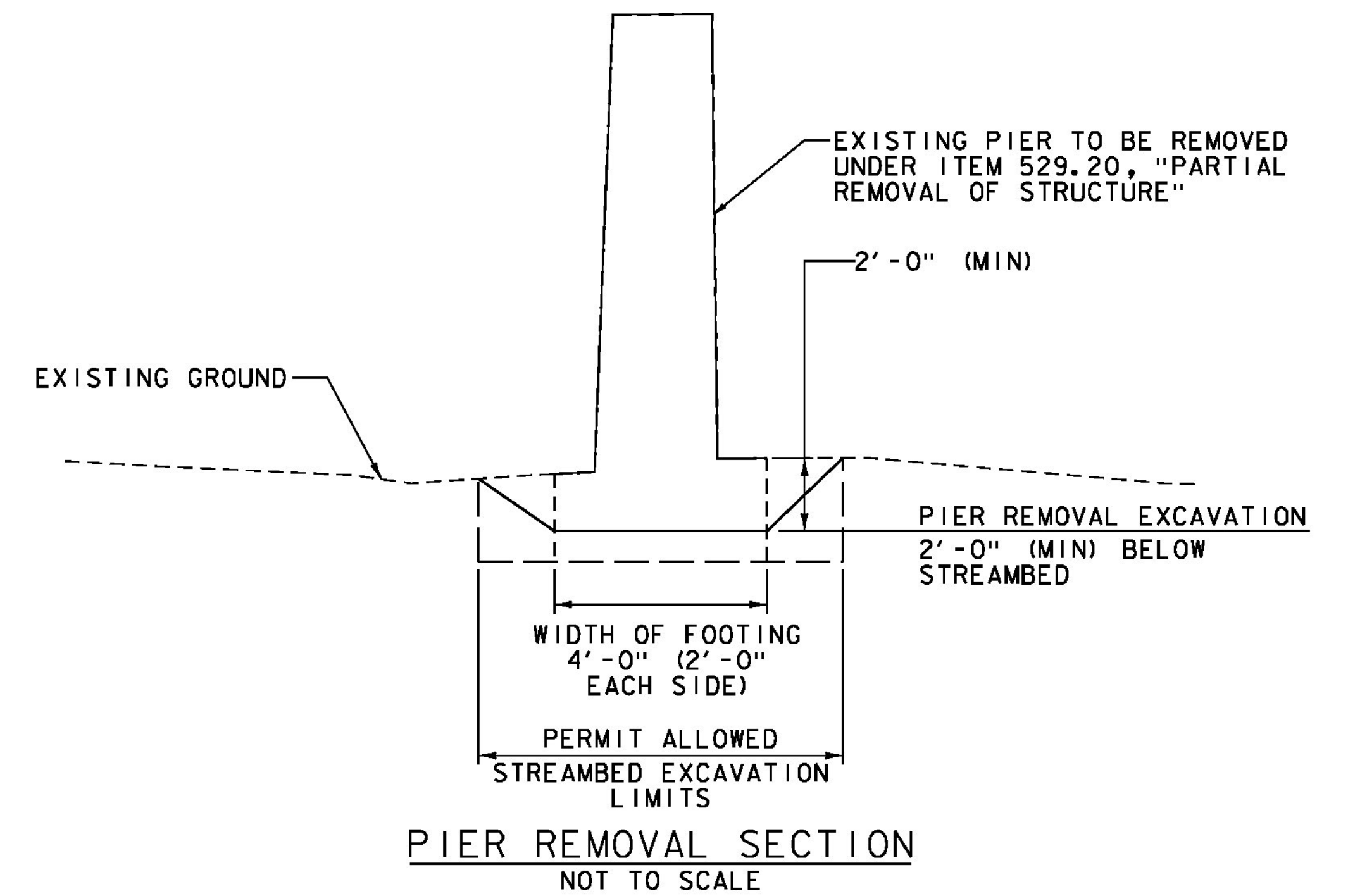
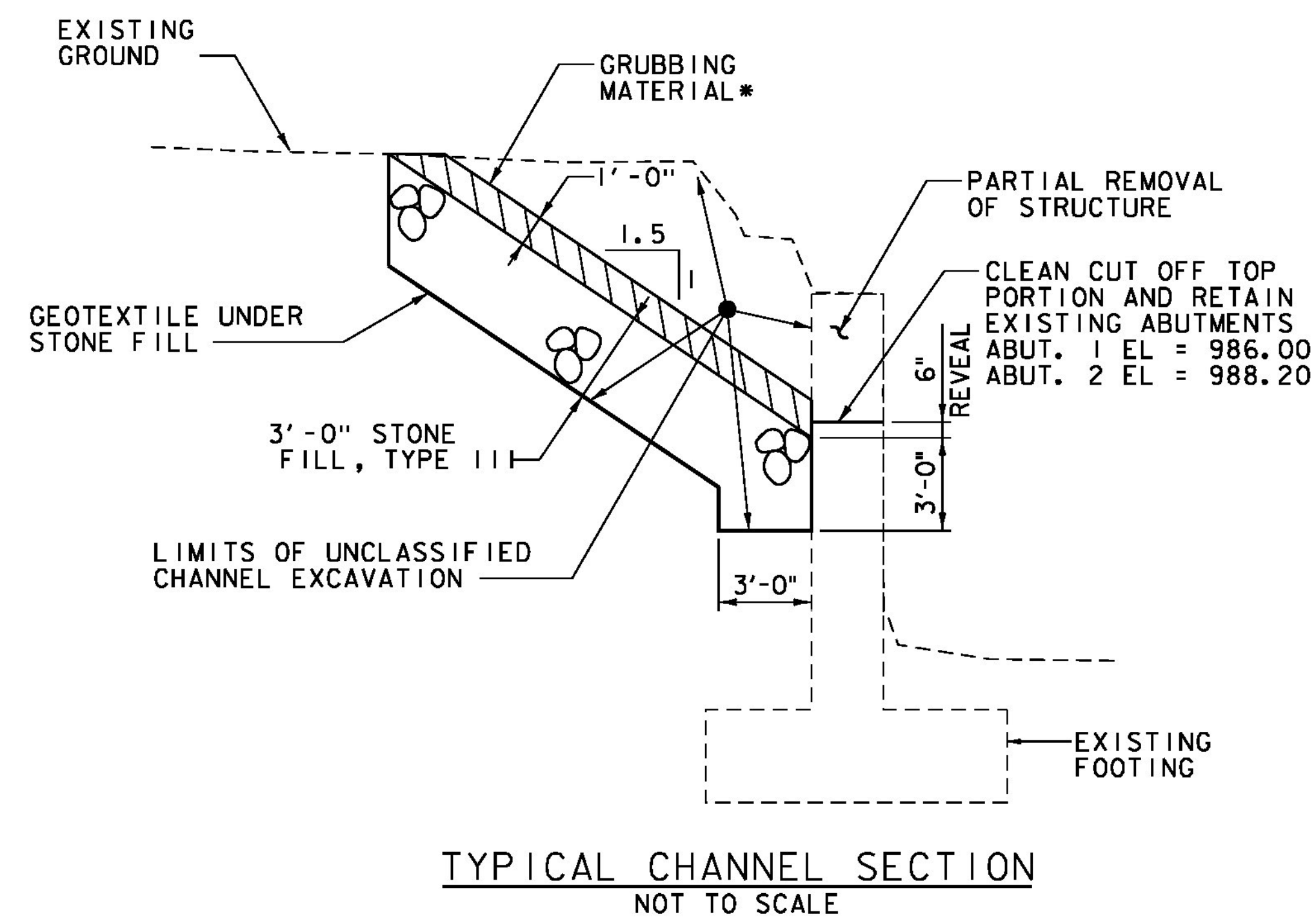


NOTE: ACTUAL EXCAVATION LIMITS SHALL BE DETERMINED BY THE CONTRACTOR. HOWEVER, ONLY THE EXCAVATION BETWEEN THE LIMITS SHOWN WILL BE PAID FOR UNDER ITEM 204.25, "STRUCTURE EXCAVATION". EXCAVATION OUTSIDE OF THESE LIMITS WILL BE AT THE EXPENSE OF THE CONTRACTOR.

**ABUTMENT EARTHWORK SECTION**  
NOT TO SCALE



1. THE CONTRACTOR SHALL REVIEW THE APPROPRIATE ENVIRONMENTAL PERMITS FOR ALLOWABLE STREAMBED DISTURBANCE LIMITS.
2. ANY REQUIRED SUPPORT OF EXCAVATION, CONTROL OF WATER, OR COFFERDAM WILL NOT BE PAID FOR SEPARATELY, BUT WILL BE INCLUDED IN ITEM 529.20, "PARTIAL REMOVAL OF STRUCTURE".
3. EXCAVATED PIER MATERIAL TO BE FILLED IN WITH ITEM 900.608, "SPECIAL PROVISION (STONE FILL, STREAM BED MATERIAL) (TYPE III)".



\* GRUBBING MATERIAL SHALL NOT BE PLACED ON THE STONE FILL IN THE AREA UNDER THE BRIDGE. WHENEVER CHANNEL SLOPE INTERSECTS ROADWAY SUBBASE, GRUBBING MATERIAL SHALL BEGIN AT THE BOTTOM OF SUBBASE.

NOTE: IN AREAS WHERE THERE IS NO EXISTING ABUTMENT, STONE FILL SHALL BE KEYED IN FRONT OF EXISTING STONE WALL OR INTO CHANNEL BANK.

PROJECT NAME: LUDLOW  
PROJECT NUMBER: BRF 025-(42)

FILE NAME: z10J068typ.dgn  
PROJECT LEADER: A.P. GUYETTE  
DESIGNED BY: A.P. GUYETTE  
TYPICAL EARTHWORK SECTIONS

PLOT DATE: 8/23/2016  
DRAWN BY: E.A. FIALA  
CHECKED BY: A.P. GUYETTE  
SHEET 5 OF 73

