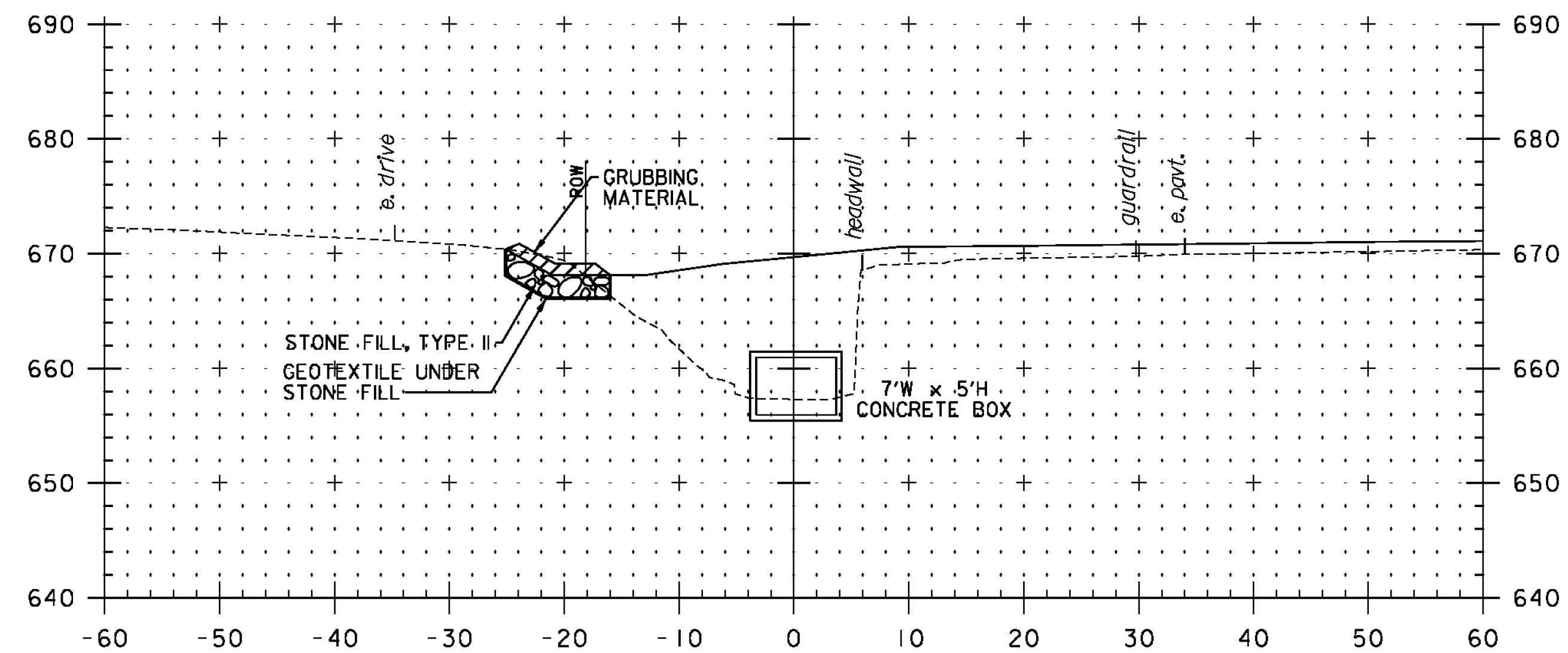
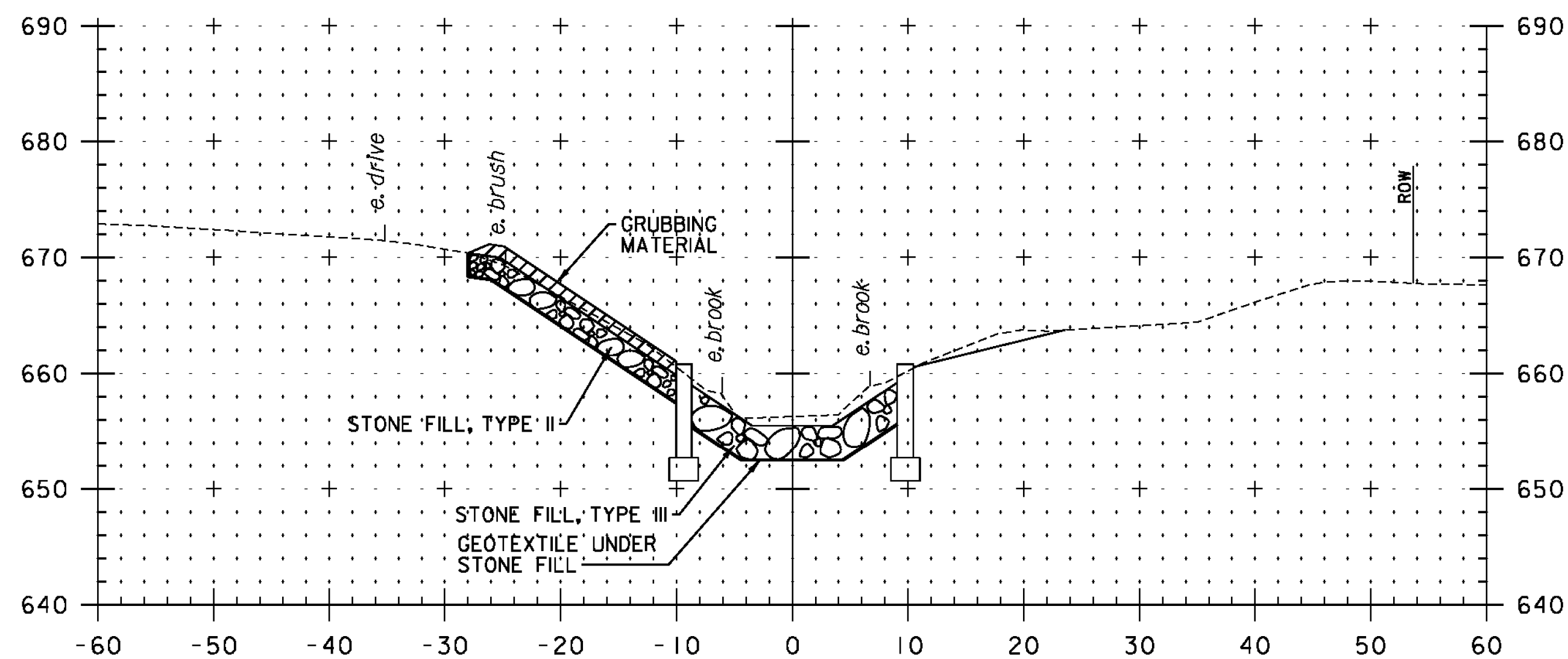


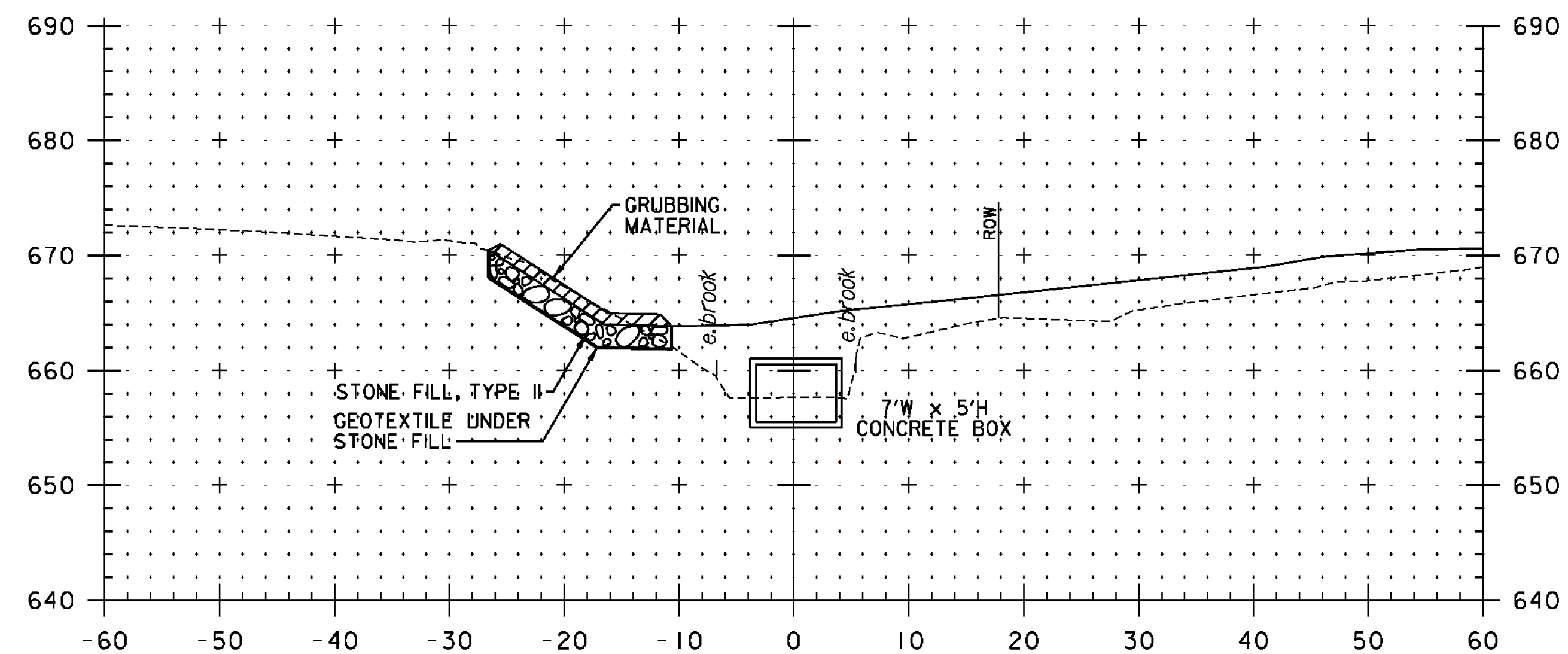
STA. 318+86.08
 END UNCLASSIFIED CHANNEL EXCAVATION
 END STONE FILL, TYPE III
318+86.00
BOX OUTLET



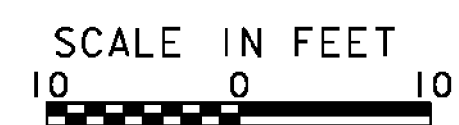
319+00



318+80



318+90



STA. 318+80 TO STA. 319+00

PROJECT NAME: BARRE TOWN	PLOT DATE: 2/13/2014
PROJECT NUMBER: STP SCRP(10)	DRAWN BY: M. SMITH
FILE NAME: z10d202xsl_Channel.dgn	CHECKED BY: J. BYATT
PROJECT LEADER: K. UPMAL	SHEET 34 OF 43
DESIGNED BY: S. BEAUMONT	
CHANNEL CROSS SECTION SHEET 2	