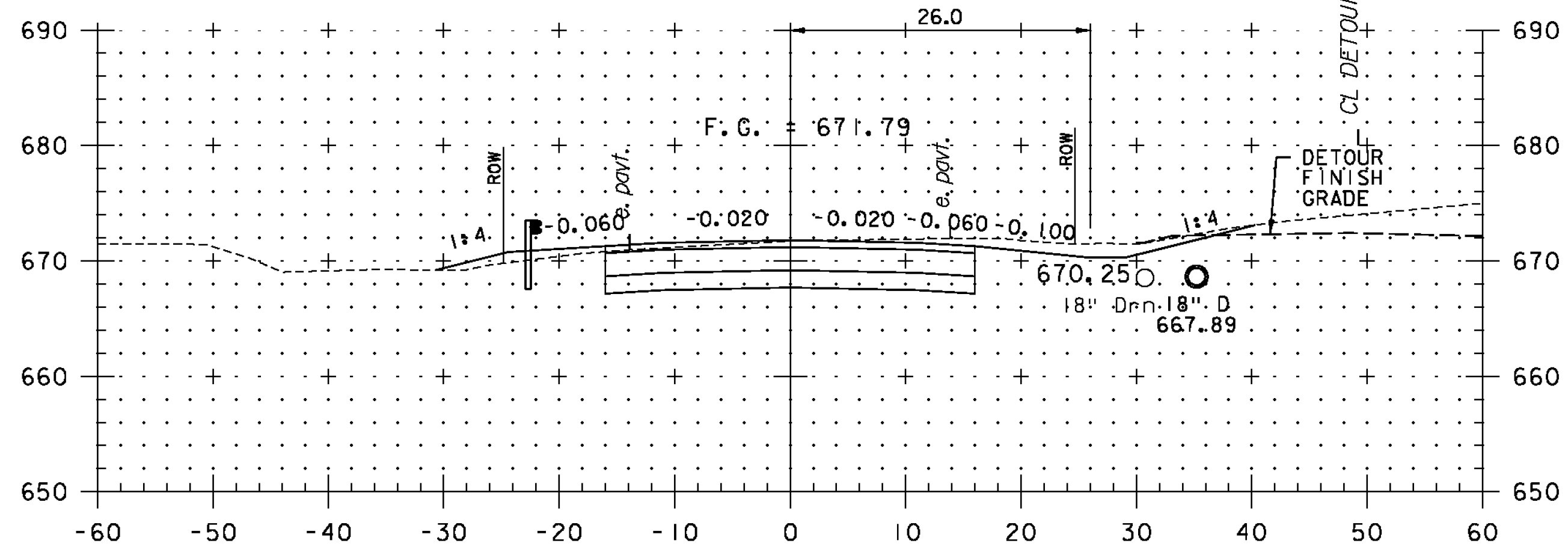
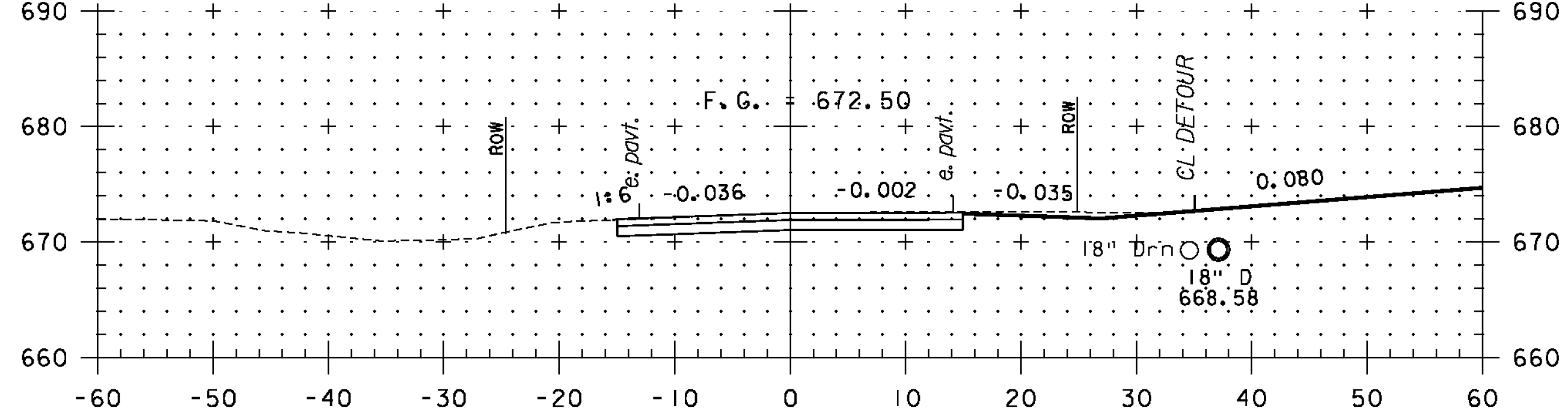


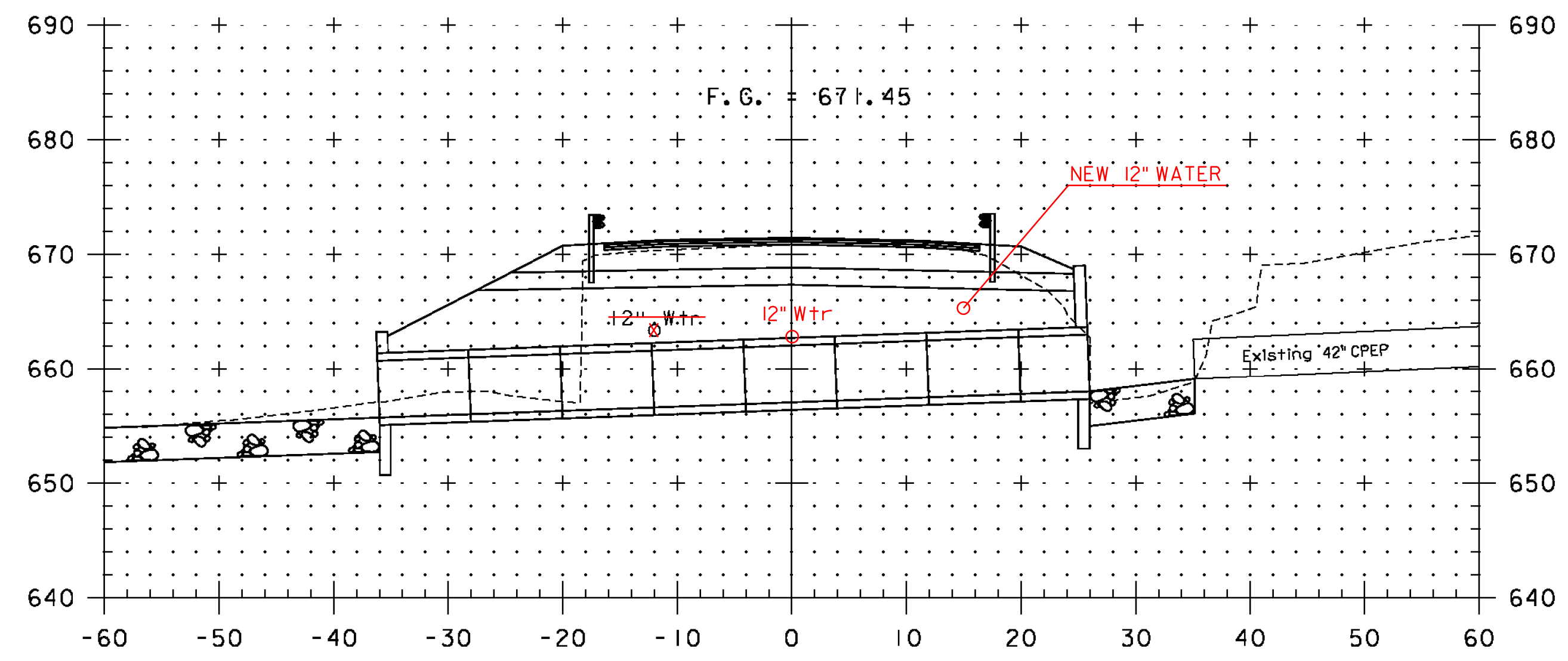
118+50



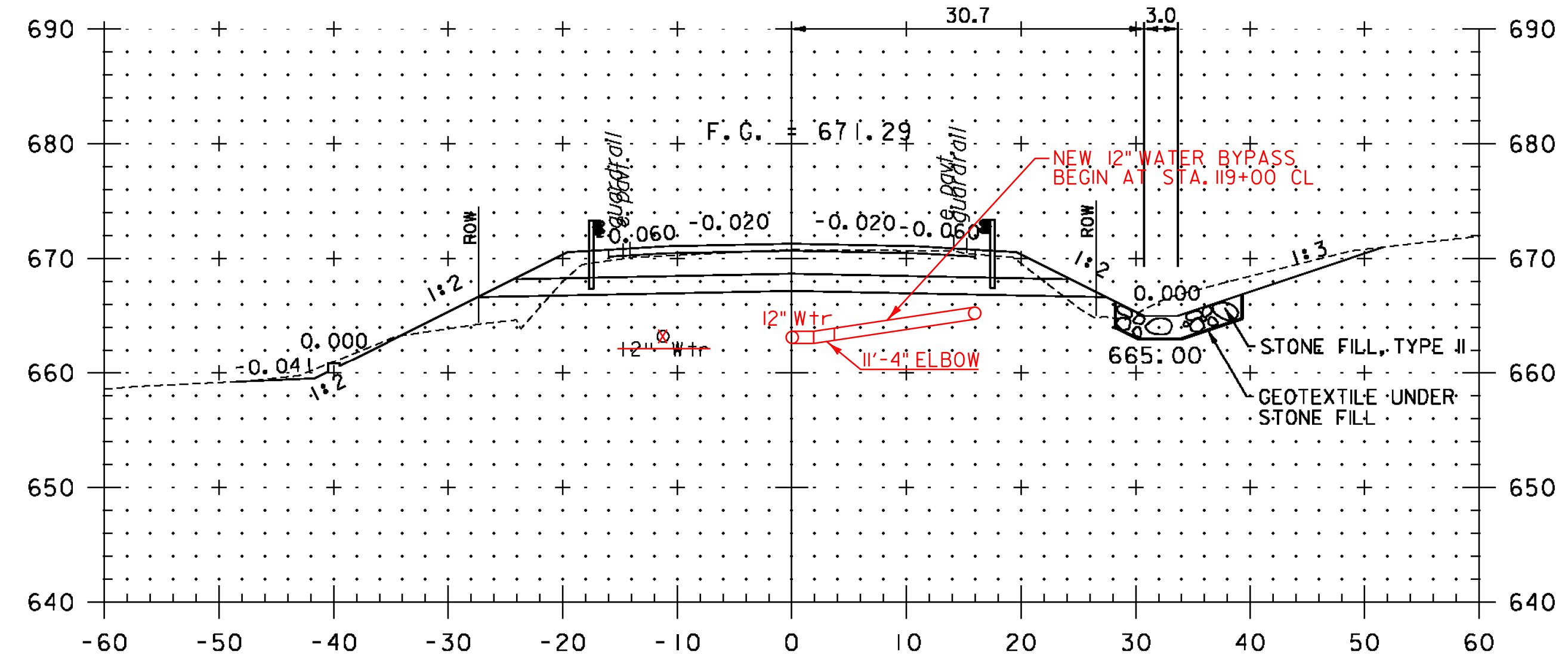
118+00.00
END APPROACH/END COLD PLANE
BEGIN PROJECT



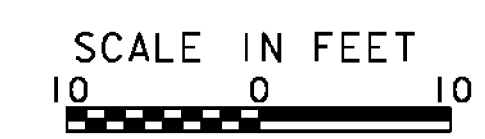
117+62.5
DRIVE RIGHT



119+22.00
ALONG BOX CULVERT
(78°00'00" ASKEW RT)



119+00



STA. 117+62.5 TO STA. 119+22.00

PROJECT NAME:	BARRE TOWN	FILE NAME:	z10d202xsl.VT14.dgn	PLOT DATE:	2/13/2014
PROJECT NUMBER:	STP SCRP(10)	PROJECT LEADER:	K. UPMAL	DRAWN BY:	P. SHEDD
		DESIGNED BY:	P. SHEDD	CHECKED BY:	D. MUNRO
		VT 14 CROSS SECTION SHEET 2		SHEET	30 OF 43

CLD 11-0160