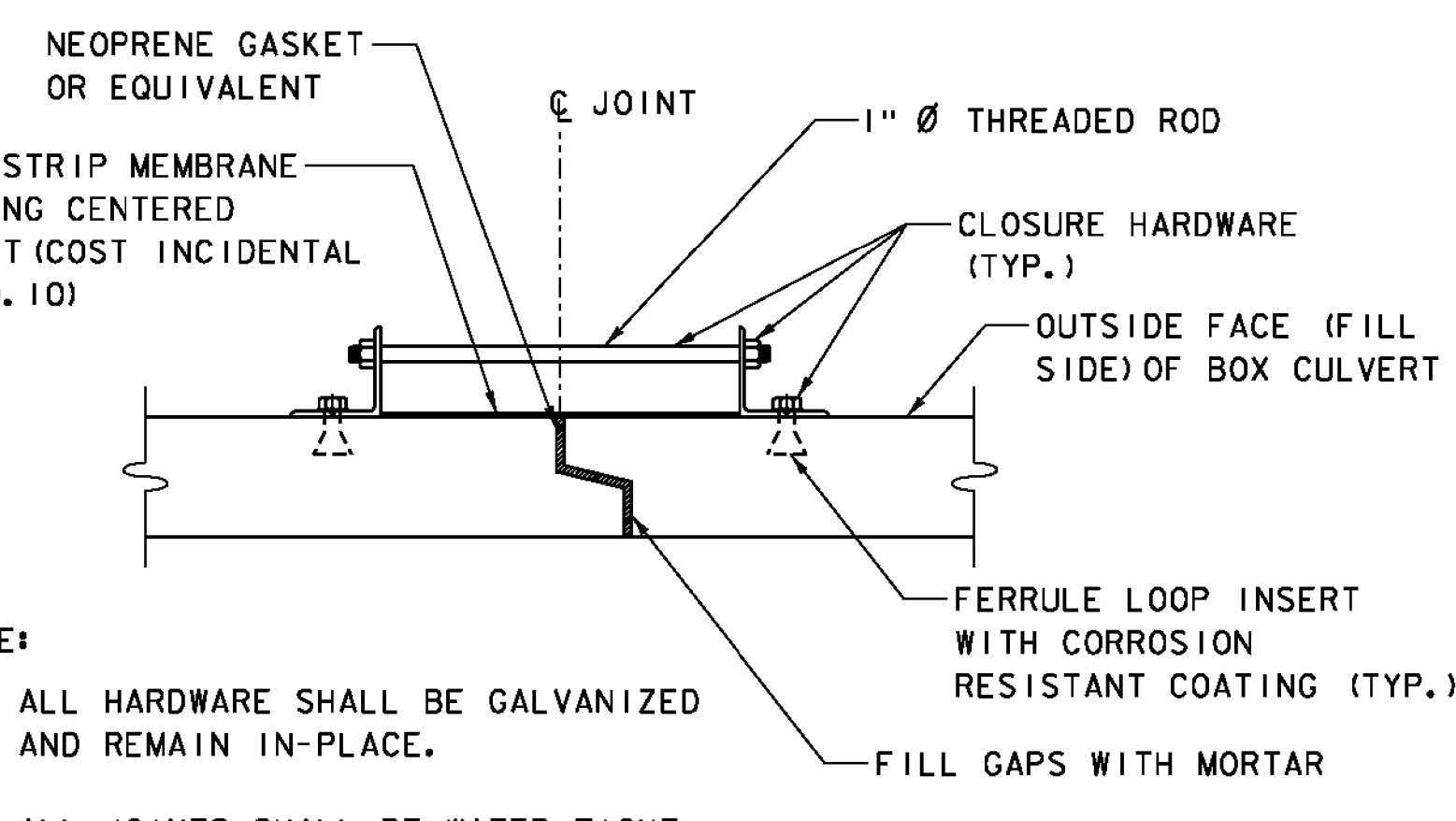


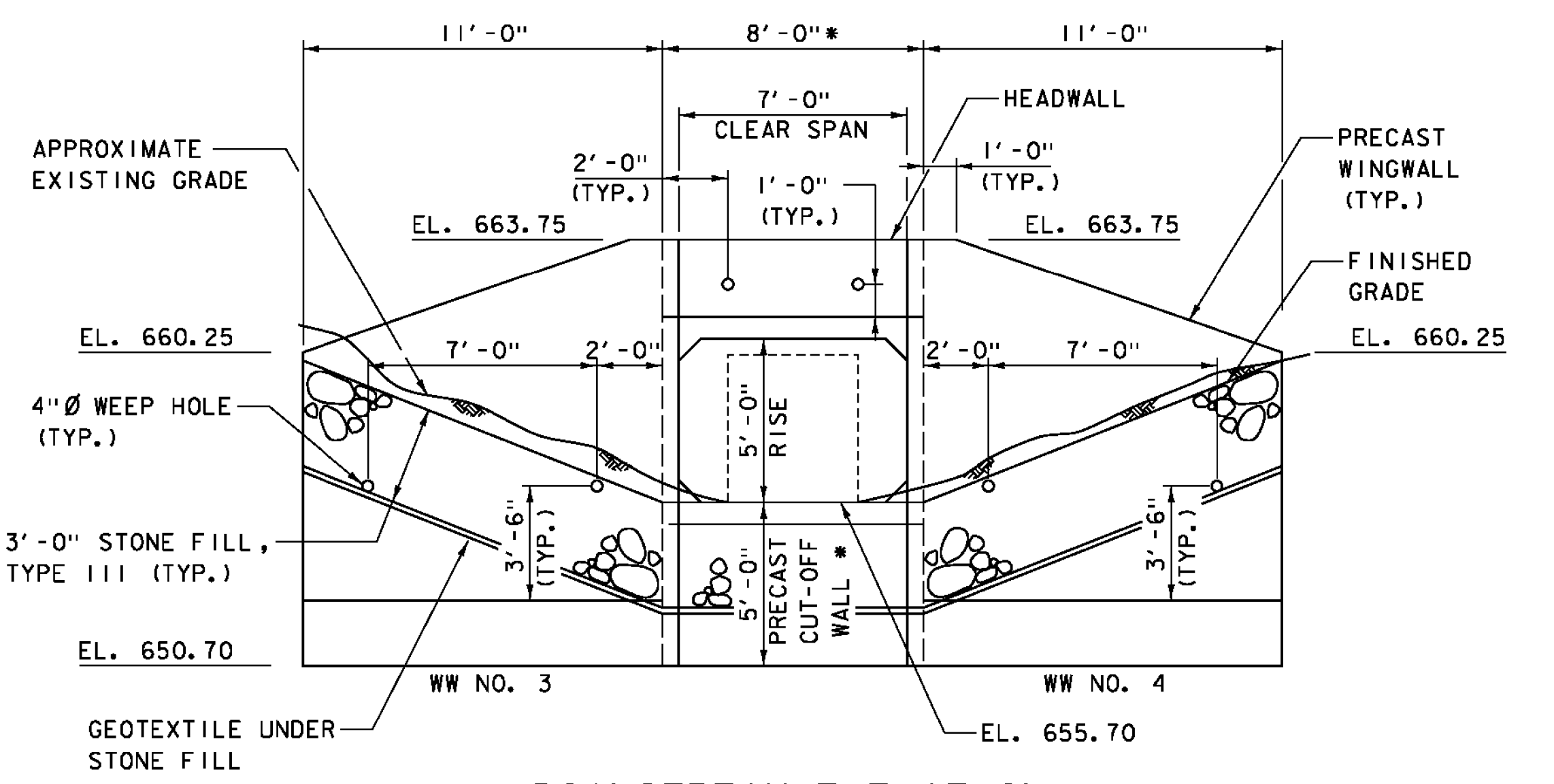
TYPICAL CUT-OFF WALL DETAIL

SCALE 1/2" = 1'-0"
SCALE IN FEET



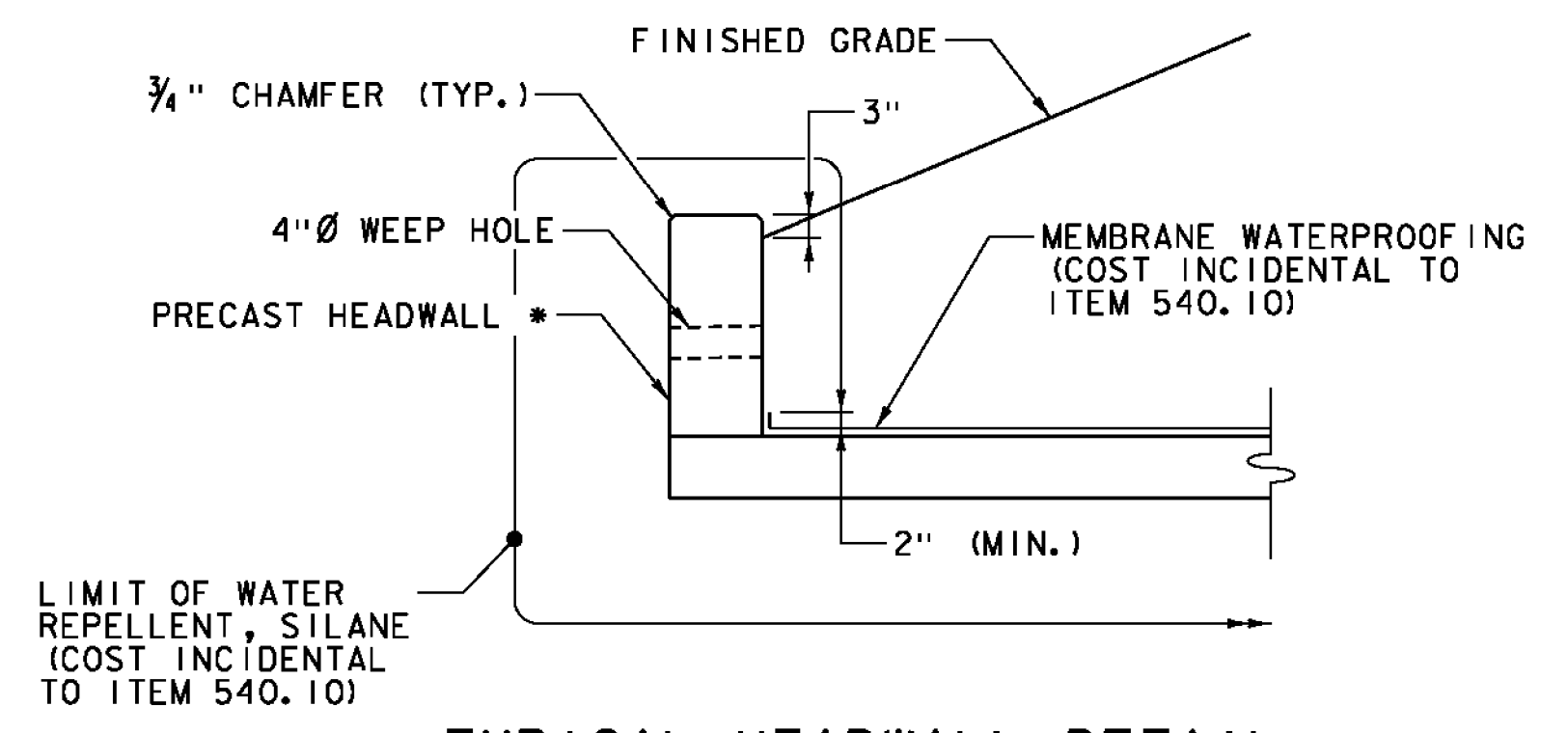
BOX CULVERT JOINT DETAIL

SCALE 1" = 1'-0"
SCALE IN FEET



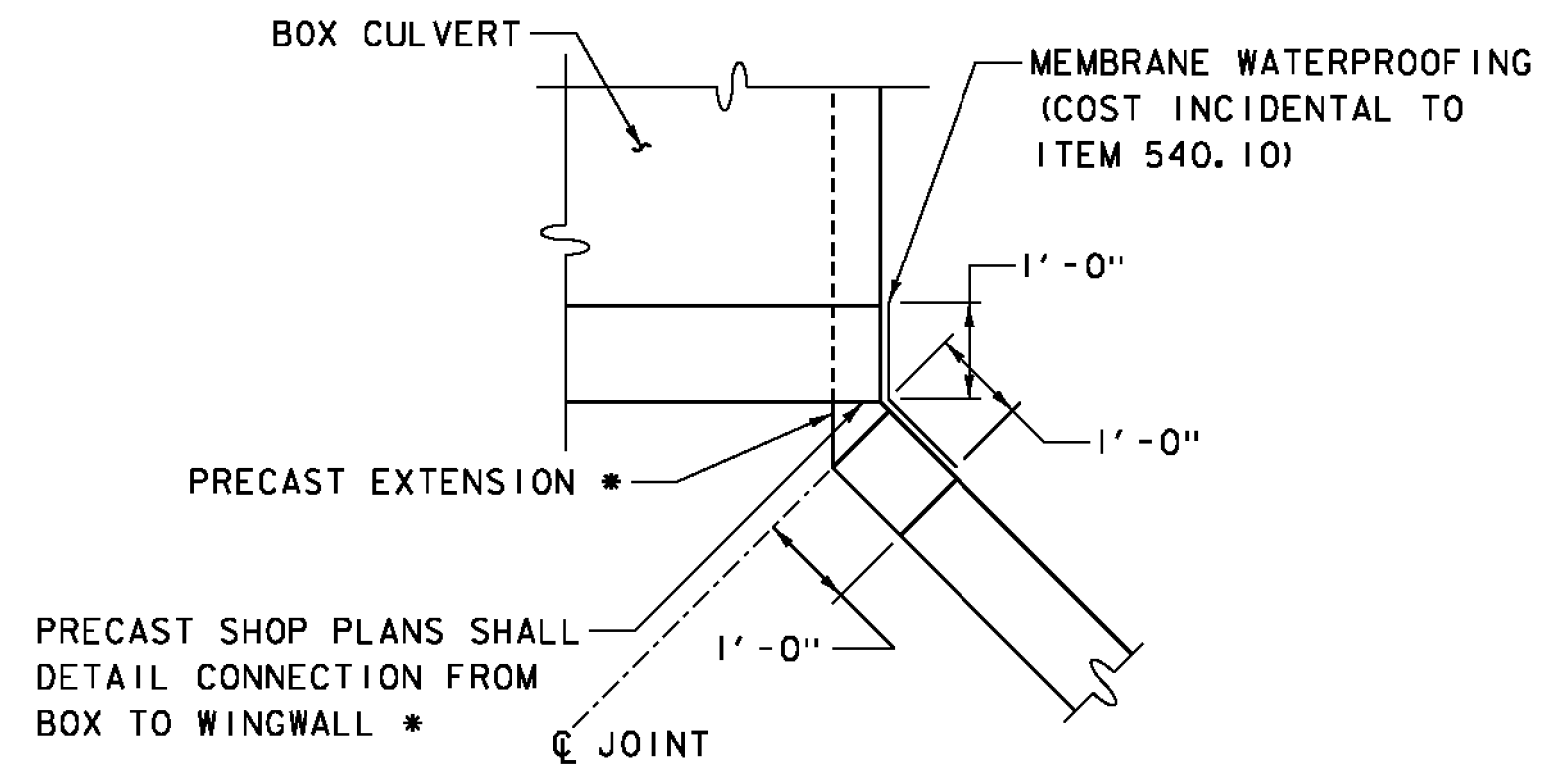
DOWNSTREAM ELEVATION

SCALE 1/4" = 1'-0"
SCALE IN FEET



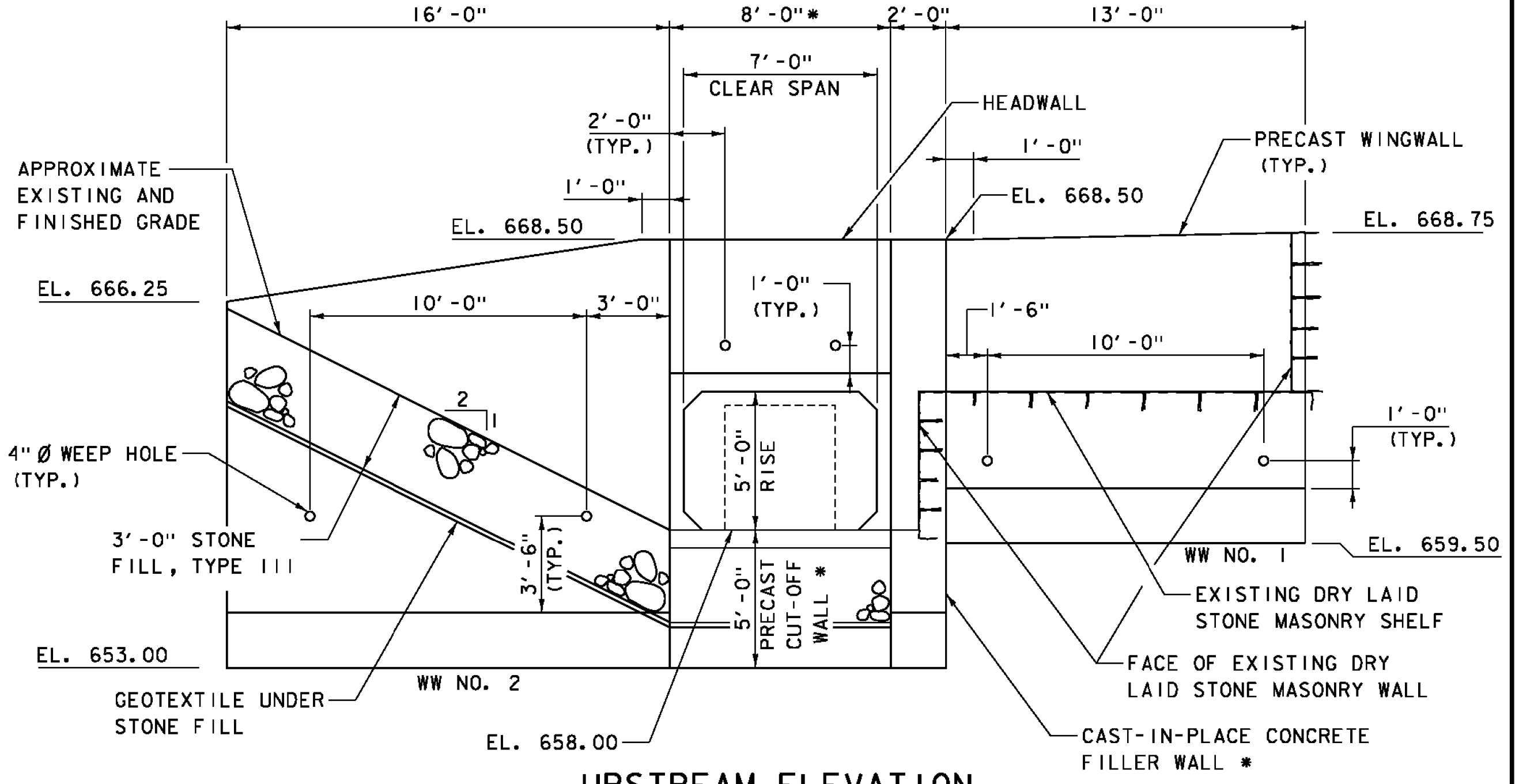
TYPICAL HEADWALL DETAIL

SCALE 1/2" = 1'-0"
SCALE IN FEET



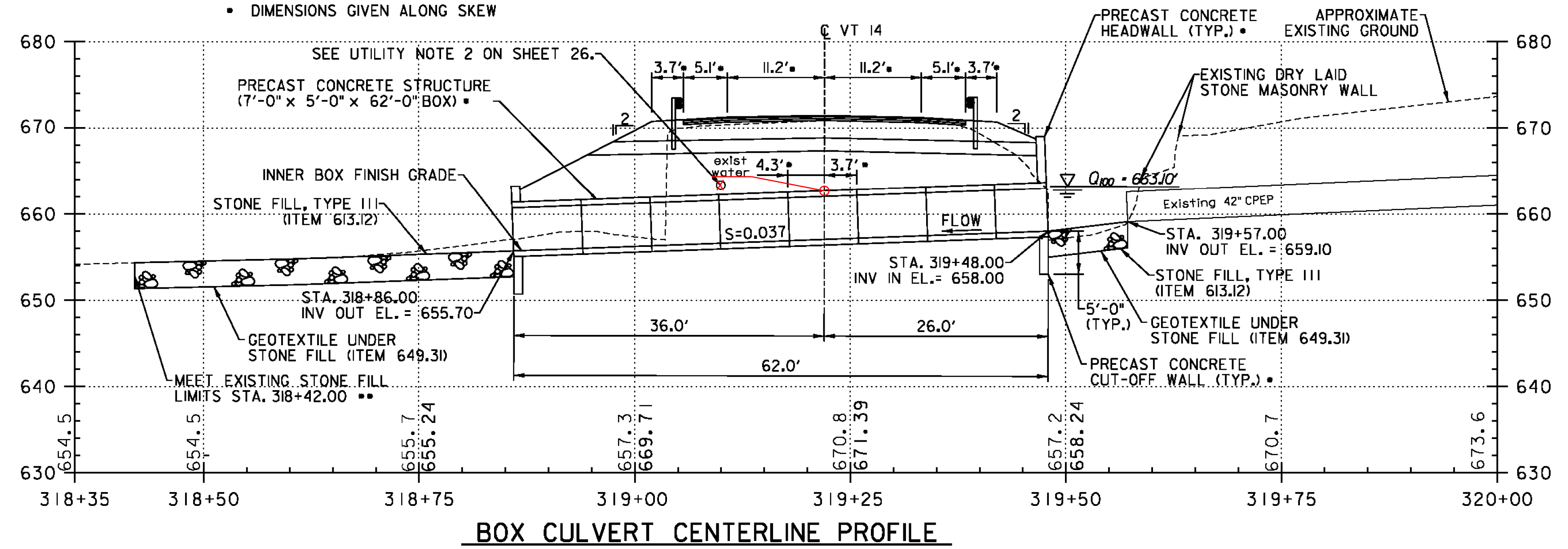
DOWNSTREAM PRECAST WINGWALL JOINT DETAIL

SCALE 1/2" = 1'-0"
SCALE IN FEET



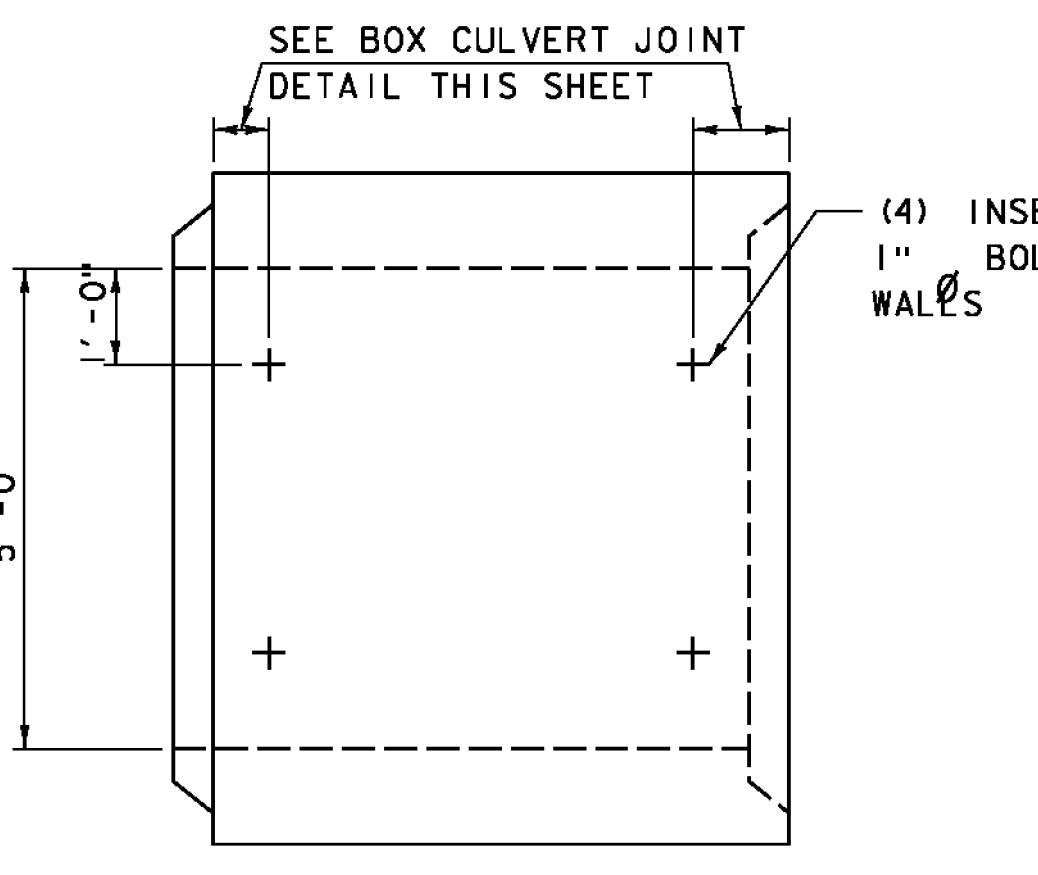
UPSTREAM ELEVATION

SCALE 1/4" = 1'-0"
SCALE IN FEET



BOX CULVERT CENTERLINE PROFILE

SCALE 1" = 10'-0"
SCALE IN FEET



FERRULE LOOP INSERT LAYOUT

SCALE 1/2" = 1'-0"
SCALE IN FEET

NOTE: SEE SHEET 4 FOR TYPICAL BOX AND WINGWALL SECTIONS

NOTES

- BOX CULVERT, WINGWALL, WINGWALL ANCHOR, HEADWALL, AND FOOTING THICKNESSES ARE SHOWN FOR ILLUSTRATION PURPOSES ONLY. THE ACTUAL THICKNESSES WILL BE DETERMINED BY THE CONTRACTOR'S FABRICATOR. A CONSTRUCTION JOINT IN THE BOX CULVERT SHALL BE REQUIRED UNDERNEATH THE EXISTING WATER LINE. THE CONTRACTOR SHALL LOCATE THE EXISTING WATER LINE PRIOR TO BOX FABRICATION.
- CONTRACTOR SHALL EXTEND DOWNSTREAM CHANNEL AND SLOPE WORK TO LIMITS OF EXISTING STONE FILL IF LIMITS OF EXISTING STONE FILL DIFFER FROM THAT SHOWN ON THIS SHEET.

| | | | | | |
|-----------------|---------------|--------------------|----------------|-------------|----------------|
| PROJECT NAME: | BARRE TOWN | FILE NAME: | z10d202sub.dgn | PLOT DATE: | 2/13/2014 |
| PROJECT NUMBER: | STP SCRPI(10) | PROJECT LEADER: | K. UPMAL | DRAWN BY: | M. SMITH |
| | | DESIGNED BY: | S. BEAUMONT | CHECKED BY: | J. BYATT |
| | | STRUCTURE DETAILS: | | | SHEET 27 OF 43 |

CLD 11-0160