

Vermont Agency of Transportation

RECEIVED

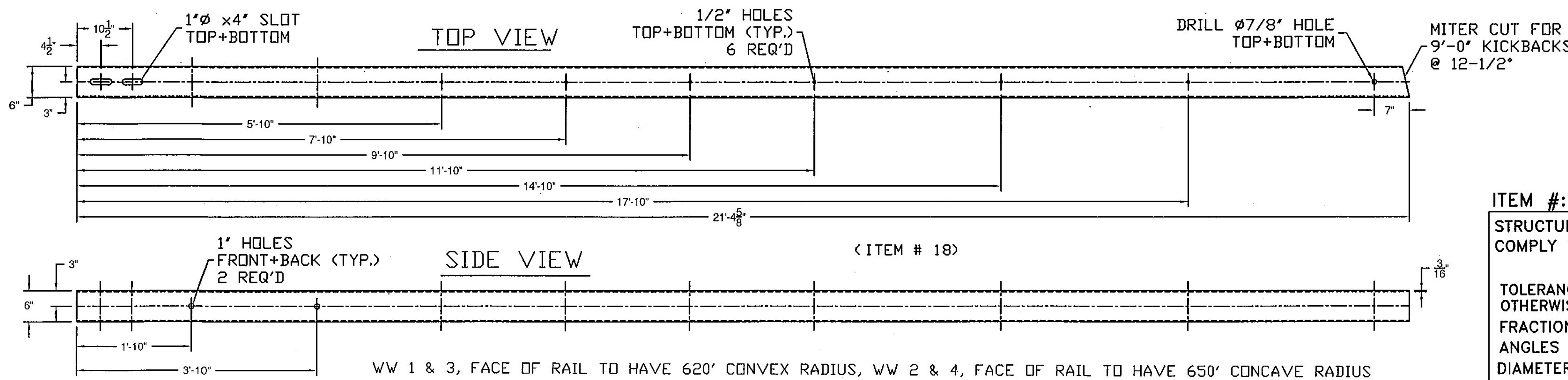
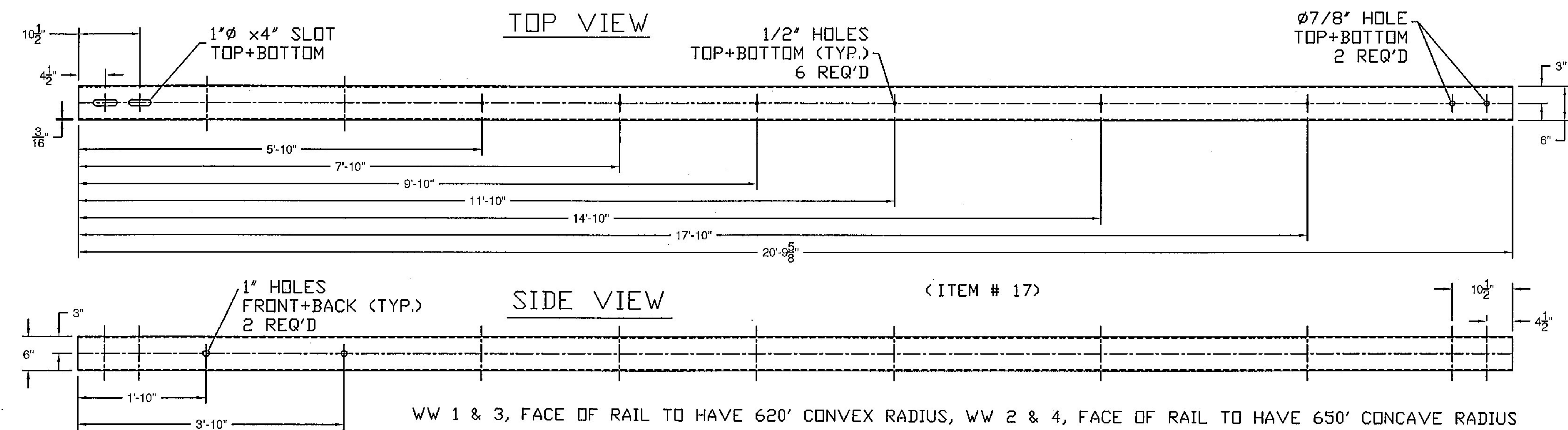
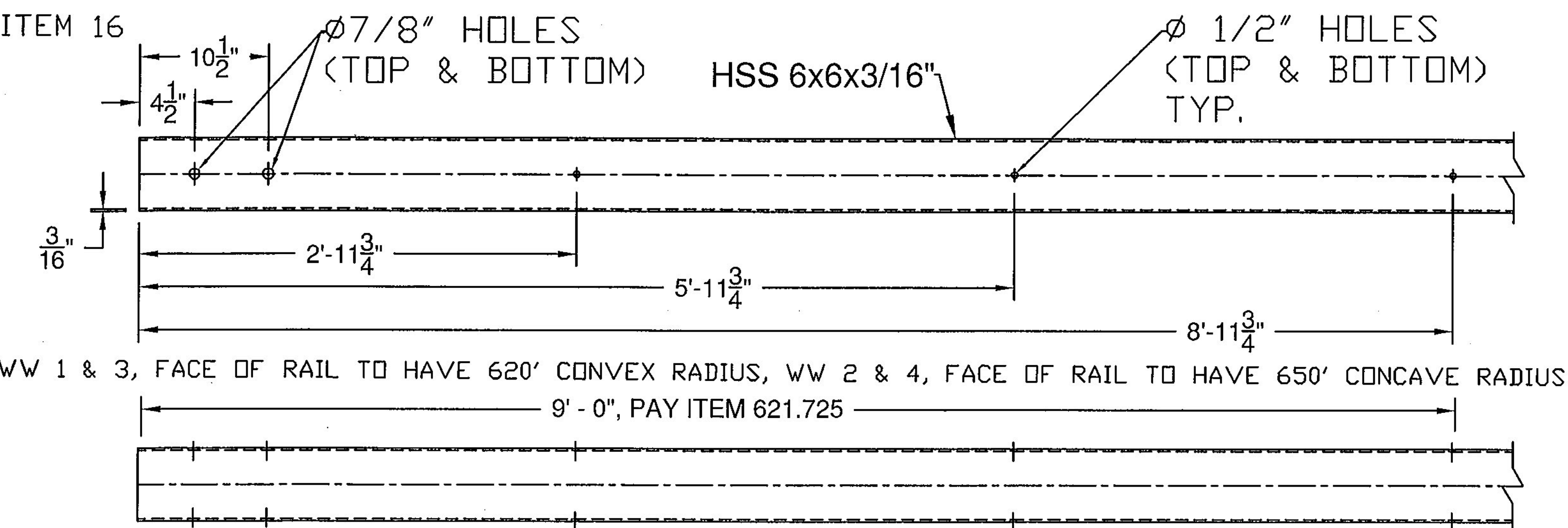
ON: January 7, 2016

and Checked for

CONFORMANCE

BY: Rob Young DATE: 01/14/2016

APPROVED: Approval of drawings and/or procedures indicates concurrence with the information presented and does not relieve the Contractor or Fabricator of compliance with all specifications and code requirements.	X
APPROVED AS NOTED	
REVISE AND RESUBMIT	
NOT REVIEWED	
Date: 1/13/16	
By: <i>[Signature]</i>	
<small>This review by Stantec Consulting Services Inc. is for the sole purpose of ascertaining conformance with the general design concept. This review shall not mean that Stantec Consulting Services Inc. approves the detail design inherent in the shop drawings, responsibility for which shall remain with the Contractor. Submitting same, and each review shall not relieve the Contractor of his responsibility for errors or omissions in the shop drawing or of his responsibility for meeting all requirements of the Contract Documents. The contractor is responsible for dimensions to be confirmed and correlated at the job site, for information that pertains solely to the fabrication process or to techniques of construction and installation and for coordination of the work of all subcontractors.</small>	



ITEM #: 621.725

STRUCTURAL STEEL TO COMPLY W/ ASTM A6

TOLERANCE UNLESS OTHERWISE NOTED:
FRACTIONS = ± 1/16"
ANGLES = ± 1/2°
DIAMETERS = ± 1/32"

GUARD RAIL TO BRIDGE RAIL TRANSITION DETAILS SHEET				SHEET 4 OF 5			
VERMONT ROUTE 106 (MAJOR COLLECTOR, RURAL), BRIDGE # 24 TOWN OF WOODSTOCK, COUNTY OF WINDSOR, VT.							
R NO.	DATE	DESCRIPTION	BY	R NO.	DATE	DESCRIPTION	BY
E 1	12/29/15	Revised Per 12/18/15 Markup	E.P.				
DRAWN		E.P.	11/30/15	CHECKED		D.L.	11/30/15
APPROVED							
SCALE		SCHEMATIC					
DRAWING NO. F.R. LaFAYETTE-WOODSTOCK (21)							

ELDERLEE, INC.
OAKS CORNERS, NEW YORK 14618
email: dlong@elderlee.com / epeek@elderlee.com
Tel: 315-789-6670 Fax: 315-789-6616

