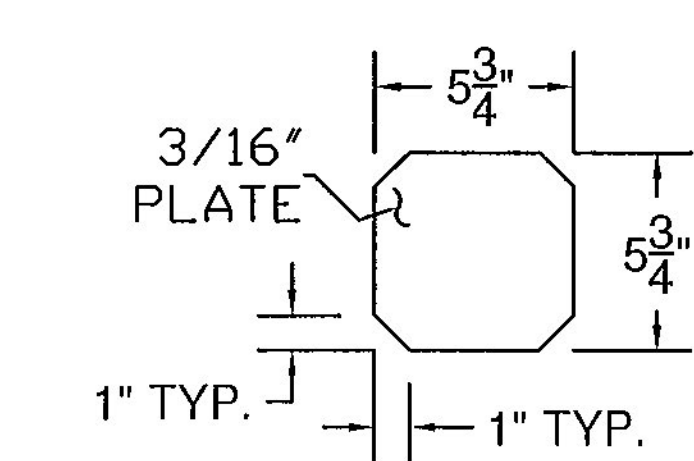
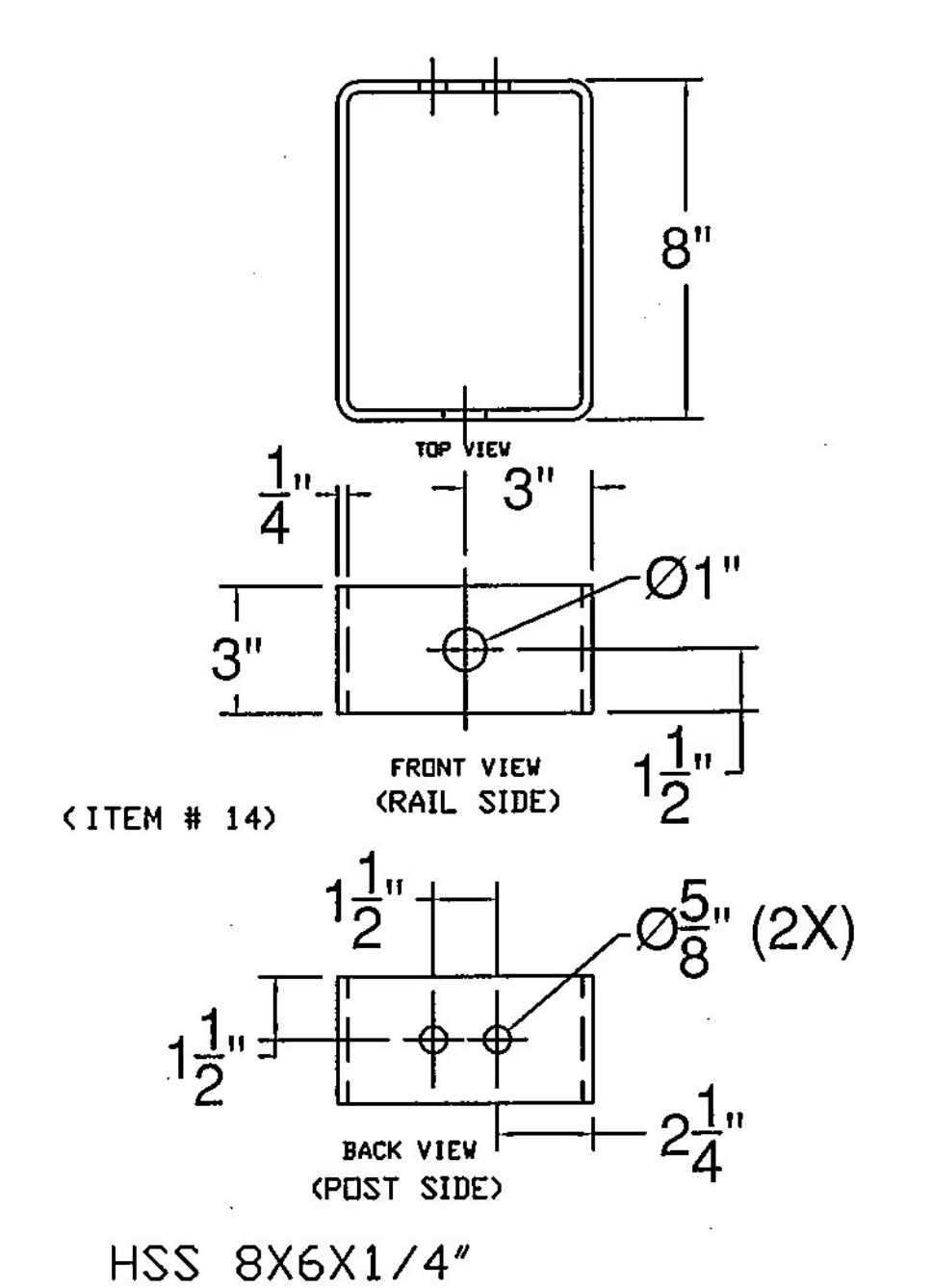
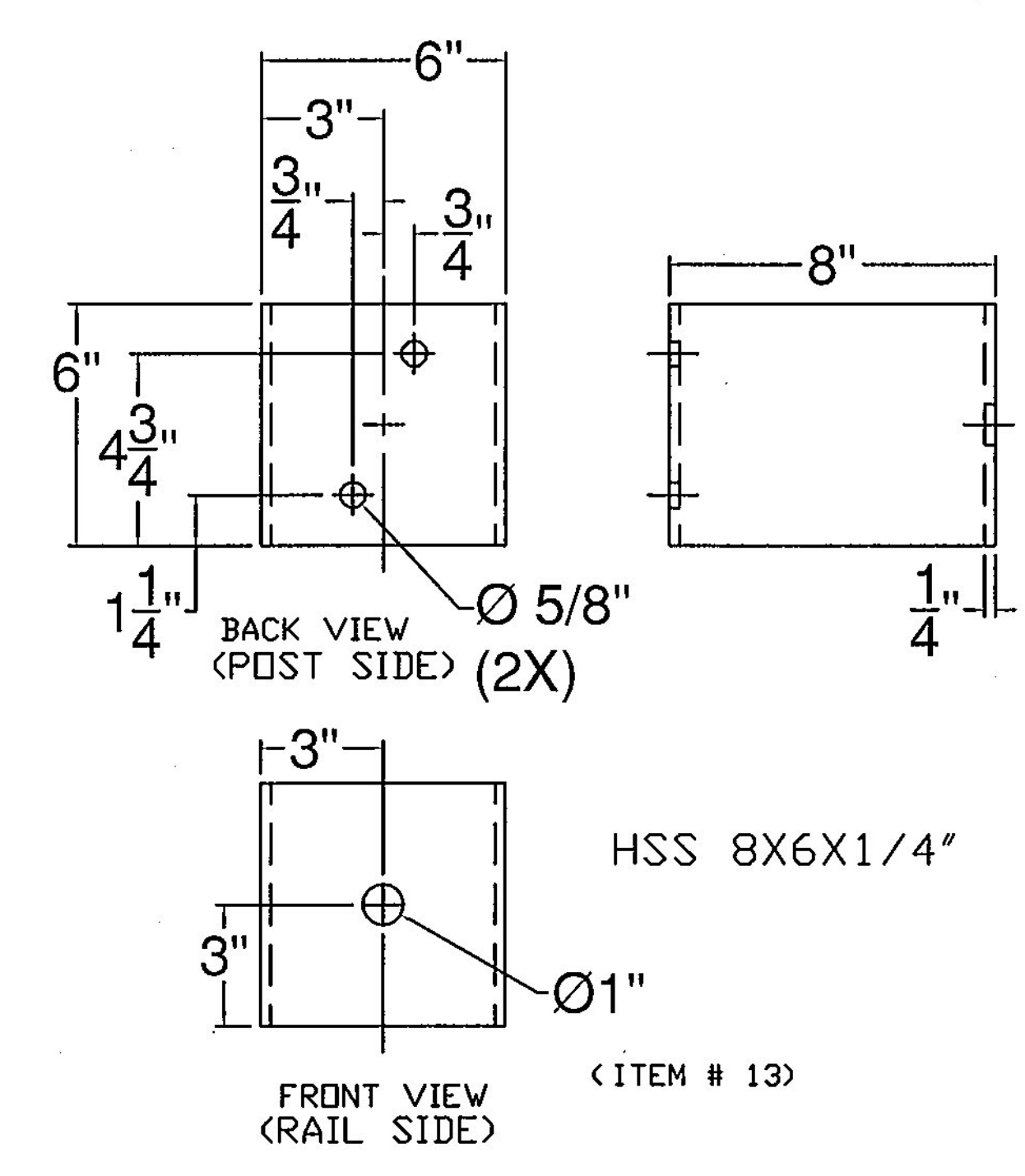
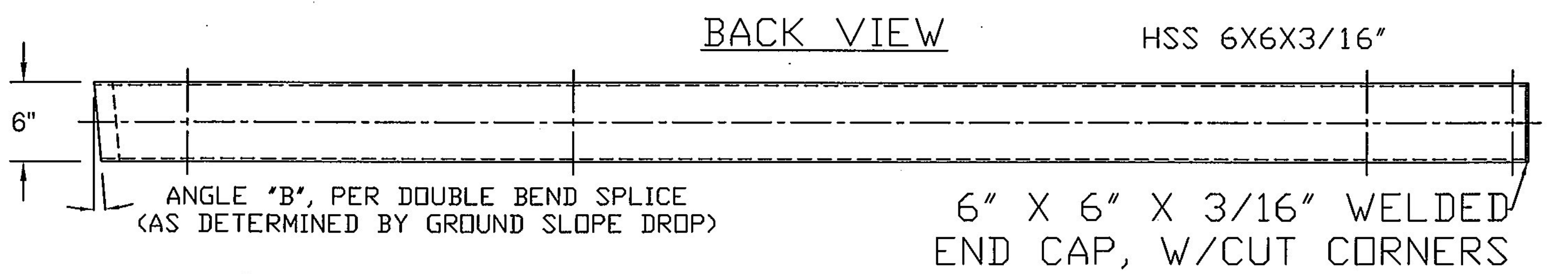


Vermont Agency of Transportation  
**RECEIVED**  
 ON: January 7, 2016  
 and Checked for  
**CONFORMANCE**  
 BY: Rob Young DATE: 01/14/2016

APPROVED: Approval of drawings and/or procedures indicates concurrence with the information presented and does not relieve the Contractor or Fabricator of compliance with all specifications and code requirements.	X	
APPROVED AS NOTED		
REVISE AND RESUBMIT		
NOT REVIEWED		
Date:	1/13/16	
By:	<i>[Signature]</i>	
<small>This review by Stantec Consulting Services Inc. is for the sole purpose of ascertaining conformance with the general design concept. This review shall not mean that Stantec Consulting Services Inc. approves the detail design inherent in the shop drawings, responsibility for which shall remain with the Contractor. Submitting same, and such review shall not relieve the Contractor of his responsibility for errors or omissions in the shop drawing or of his responsibility for meeting all requirements of the Contract Documents. The contractor is responsible for dimensions to be confirmed and correlated at the job site, for information that pertains solely to the fabrication processes or to techniques of construction and installation and for coordination of the work of all subcontractors.</small>		



ITEM #: 621.725  
 STRUCTURAL STEEL TO COMPLY W/ ASTM A6  
 TOLERANCE UNLESS OTHERWISE NOTED:  
 FRACTIONS = ± 1/16"  
 ANGLES = ± 1/2"  
 DIAMETERS = ± 1/32"

<b>GUARD RAIL TO BRIDGE RAIL TRANSITION DETAILS SHEET</b> VERMONT ROUTE 106 (MAJOR COLLECTOR, RURAL), BRIDGE # 24 TOWN OF WOODSTOCK, COUNTY OF WINDSOR, VT.				SHEET 3 OF 5			
R NO.	DATE	DESCRIPTION	BY	R NO.	DATE	DESCRIPTION	BY
E 1	12/29/15	Revised Per 12/18/15 Markup	E.P.				
ELDERLEE, INC. OAKS CORNERS, NEW YORK 14518 email: dloug@elderlee.com / epeek@elderlee.com Tel: 315-789-6670 Fax: 315-789-6615				DRAWN: E.P. 11/30/15 CHECKED: D.L. 11/30/15 APPROVED: [Signature] SCALE: SCHEMATIC DRAWING NO. F.R. LaFAYETTE WOODSTOCK (21)			