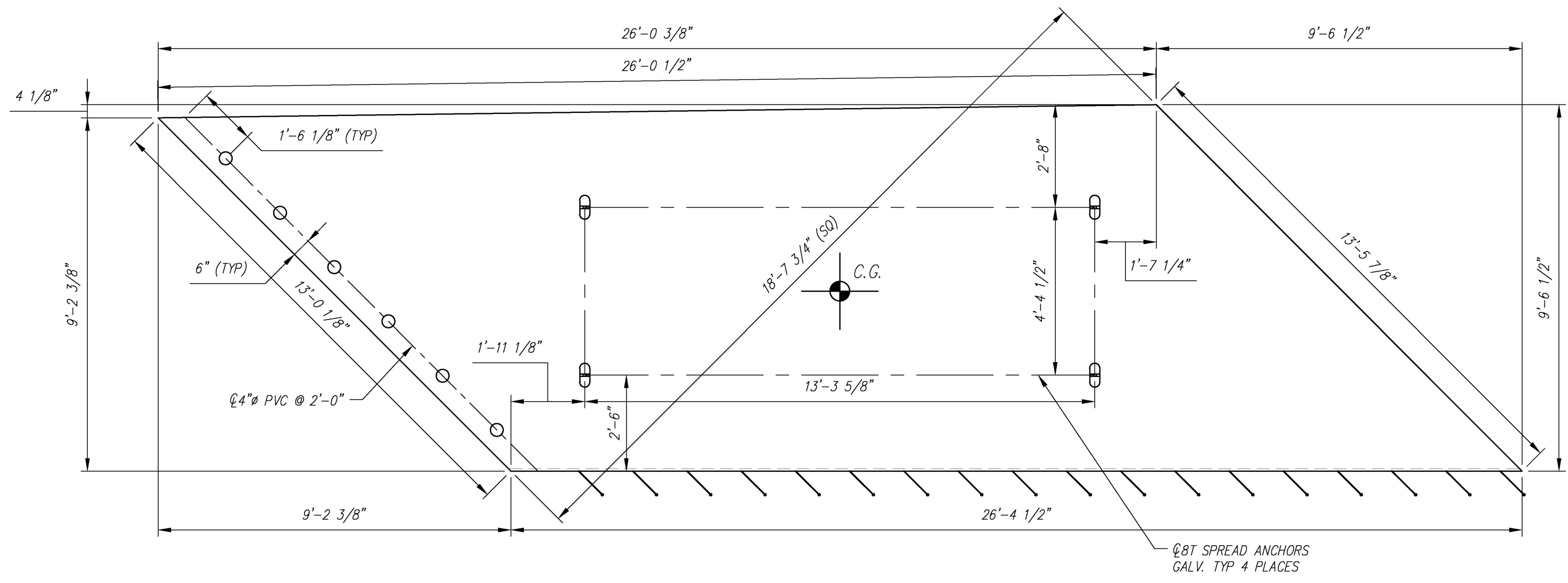
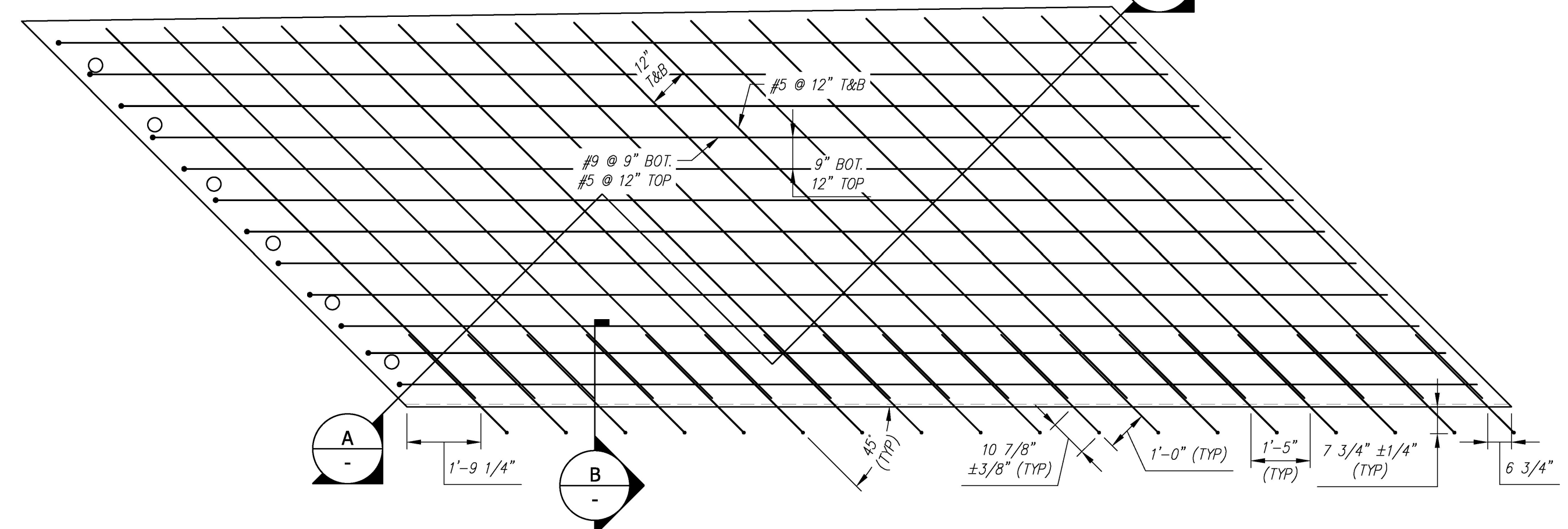


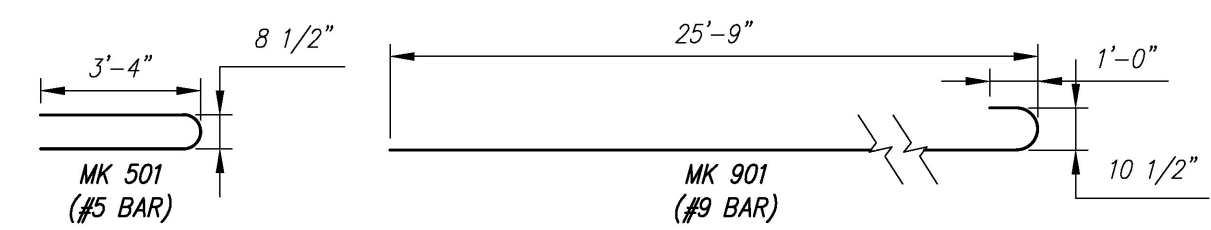
NOTES:
 1. ALL REINFORCING TO BE LEVEL I, EPOXY COATED.
 2. COVER TO REINFORCING: SEE DETAILS.



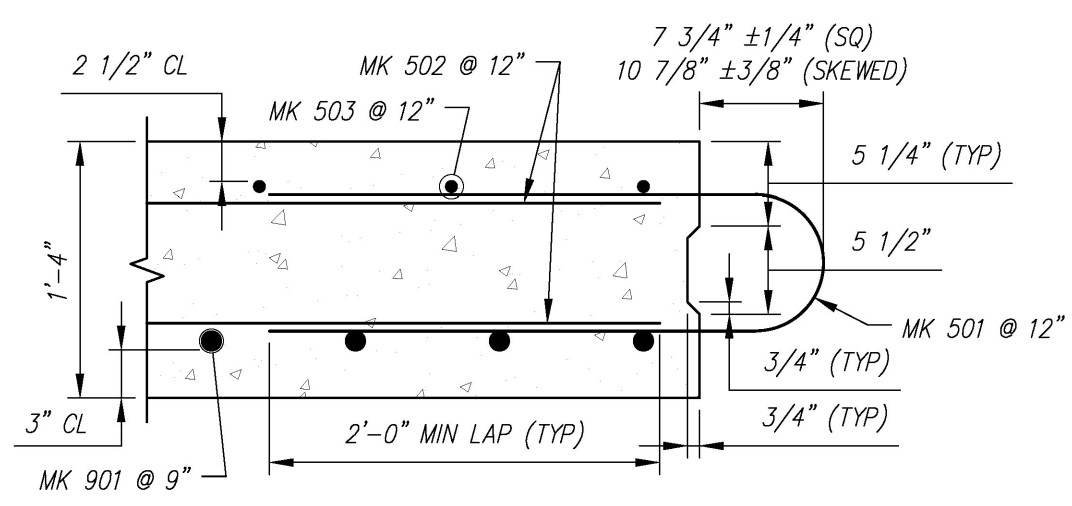
PLAN VIEW
 SCALE: 3/8" = 1'-0"



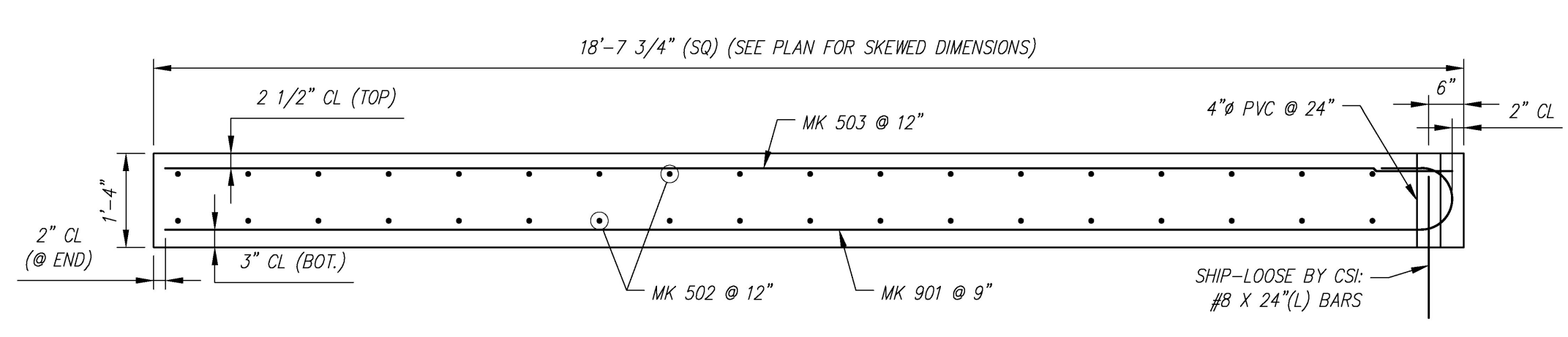
REINFORCING PLAN
 SCALE: 3/8" = 1'-0"



BENDING SCHEDULE
 SCALE: 1/4" = 1'-0"



SECTION B
 SCALE: 1" = 1'-0"



TYPICAL REINFORCING SECTION A-A
 SCALE: 1/2" = 1'-0"

Vermont Agency of Transportation
RECEIVED
 ON: April 27, 2016
 and Checked for
CONFORMANCE
 BY: Rob Young DATE: 04/28/2016

REVIEWED:	X
REVIEWED, REVISIONS NOTED:	
REVISE AND RESUBMIT	
NOT REVIEWED	
Date:	4/27/16
Signature:	<i>Thomas E. Koster</i>

This review by Stantec Consulting Services Inc. is for the sole purpose of ascertaining conformance with the general design concept. This review shall not mean that Stantec Consulting Services Inc. approves the detail design inherent in the shop drawings, responsibility for which shall remain with the Contractor. Submitting same, and such review shall not relieve the Contractor of his responsibility for errors or omissions in the shop drawing or of his responsibility for meeting all requirements of the Contract Documents. The contractor is responsible for dimensions to be confirmed and correlated at the job site, for information that pertains solely to the fabrication processes or to techniques of construction and installation and for coordination of the work of all subtrades.



CSI ID#	DESCRIPTION	QTY	UM	COMMENTS
EM-00034	4" FOAM CORE PVC	8	FT	
EM-00039	SPREAD ANCHORS 8T GALV	4	EA	
RM-00016	REBAR #5 EPOXY-GR 60 40'	891	LB	
RM-00090	REBAR #9 EPOXY-GR 60	1125	LB	
MX-FA5000SC30	MIX DESIGN - FLY ASH 5000 SELF COMPACTIN	12.20	CY	

MK	QTY	LENGTH	MAX
501 #5	18	7' - 4"	
502 #5	36	12' - 11"	
503 #5	10	25' - 9"	
901 #9	12	27' - 7"	

Contractor is to verify that all information shown on drawings has been thoroughly checked, complies with the contract documents and is adequate to meet the field conditions. Some dimensions and details may differ slightly from contract drawings to accommodate the manufacturing or design process. Approval of this drawing indicates that any deviation from the contract documents has been reviewed and found to be acceptable. Production will not commence until receipt of signed, approved shop drawings.

This drawing contains information proprietary to CONCRETE SYSTEMS, INC. This drawing is disclosed with the understanding that it will be retained in confidence and its use limited solely to the purpose for which it is disclosed. It is understood that no reproduction of this drawing is authorized without permission from CONCRETE SYSTEMS, INC. and that it will be returned to CONCRETE SYSTEMS, INC. upon request.

10			
9			
8			
7			
6			
5			
4			
3			
2			
1	04/15/2016	MK 901 BAR LENGTH	AK
Rev.	Date	DESCRIPTION	By
		REVISIONS	

This drawing is based upon information provided from the following documents and/or sources:
 Engineer: STANTEC CONSULTING SERVICES, INC.
 Project No:
 Drawings: PROJECT PLANS
 Specifications:
 By
 Other Sources:

Concrete Systems Inc.
 9 Commercial St., Hudson, NH, 03051
 Phone 603-889-4163
 Fax 603-889-2417

STATE AGENCY
 VTrans
 Working to Get You There
 Drawn by: A. KOSTENKO
 Reviewed By: A. KOSTENKO
 Date: 04/04/2016
 Approved By: A. KOSTENKO
 Date:

PIECE QUANTITY: 1 EACH
 WEIGHT: 24.71 TONS

VTAOT PROJ. NO.: BRF 0151(21)

MILLER CONSTRUCTION, INC.
 ROUTE 106 BRIDGE REPLACEMENT T.H. 61 (KENDALL ROAD)
 WOODSTOCK, VT

SHOP DRAWING - AS4
 R-S22624-AS4

Quantity: Project No: SHEET AS4 OF 1