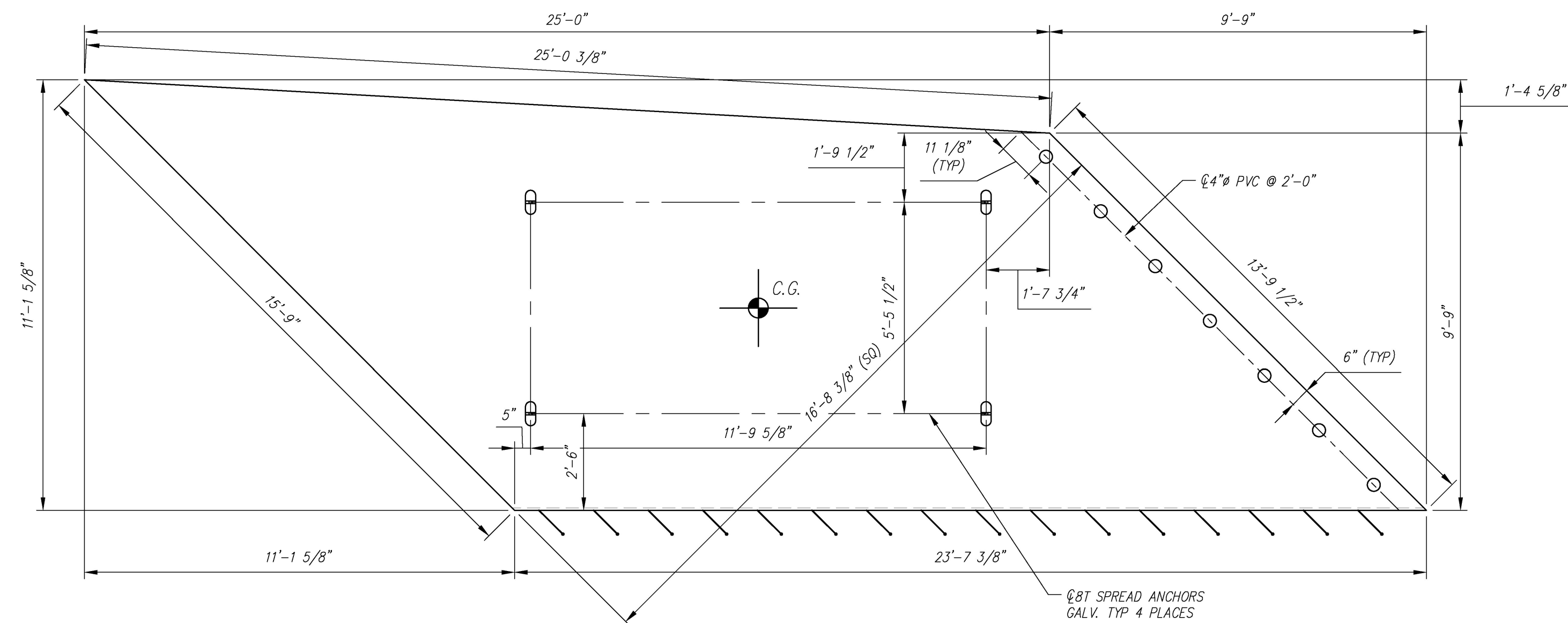
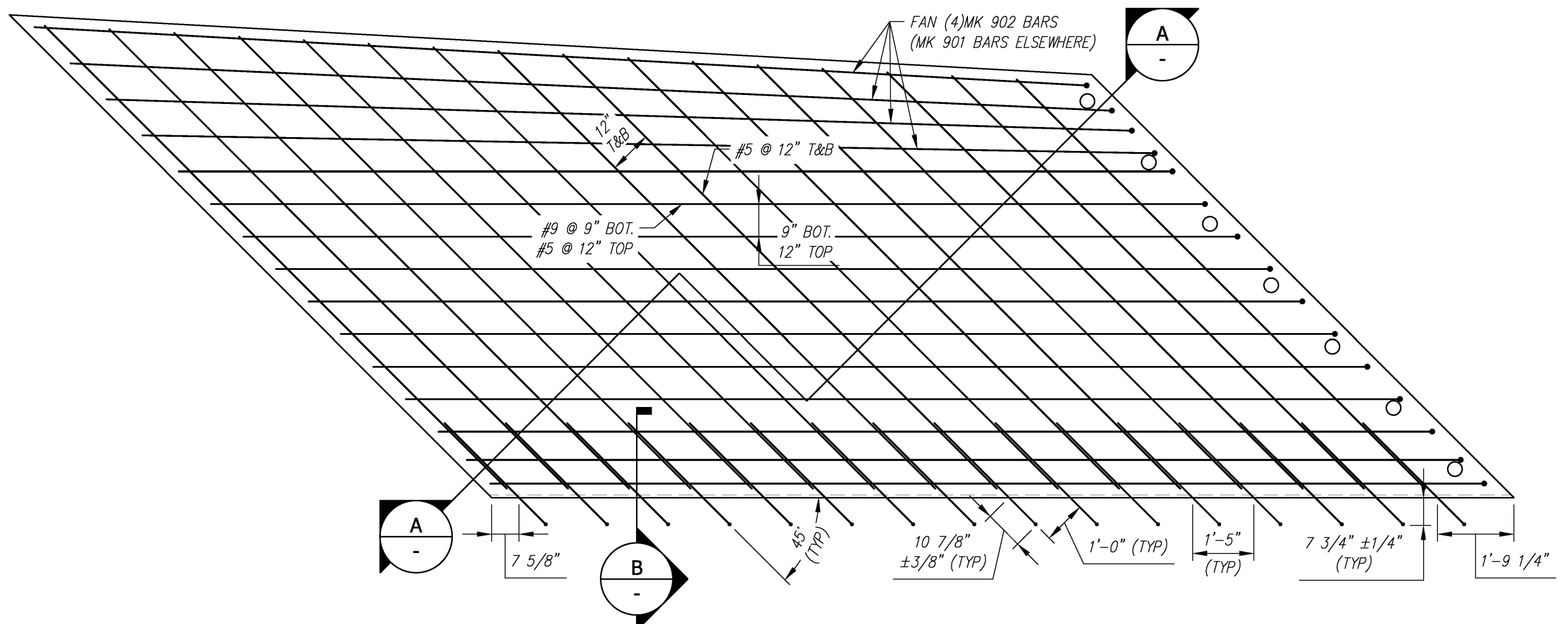


NOTES:
 1. ALL REINFORCING TO BE LEVEL 1, EPOXY COATED.
 2. COVER TO REINFORCING: SEE DETAILS.



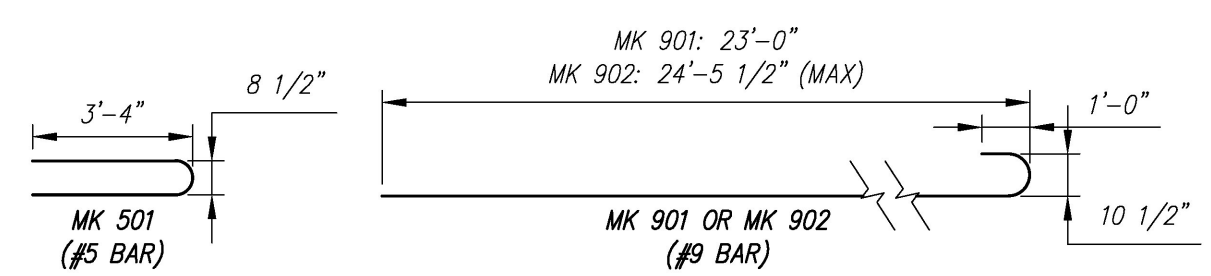
PLAN VIEW
 SCALE: 3/8" = 1'-0"



REINFORCING PLAN
 SCALE: 3/8" = 1'-0"

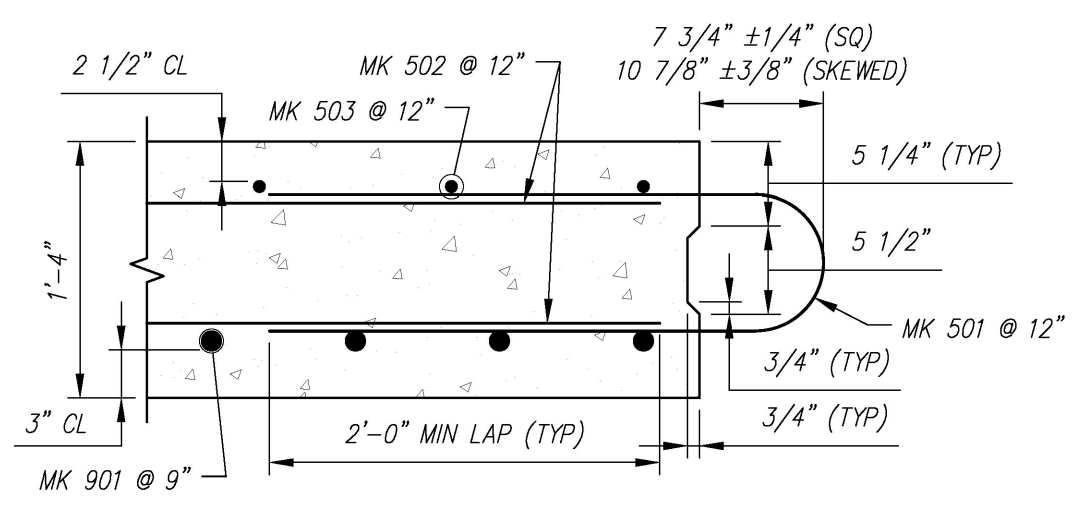
Vermont Agency of Transportation
RECEIVED
 ON: April 27, 2016
 and Checked for
CONFORMANCE
 BY: Rob Young DATE: 04/28/2016

REVIEWED:	X
REVIEWED, REVISIONS NOTED:	
REVISE AND RESUBMIT	
NOT REVIEWED	
Date:	4/27/16
Signature:	<i>[Signature]</i>
<small>This review by Stantec Consulting Services Inc. is for the sole purpose of ascertaining conformance with the general design concept. This review shall not mean that Stantec Consulting Services Inc. approves the detail design inherent in the shop drawings, responsibility for which shall remain with the Contractor. Submitting same, and such review shall not relieve the Contractor of his responsibility for errors or omissions in the shop drawing or of his responsibility for meeting all requirements of the Contract Documents. The contractor is responsible for dimensions to be confirmed and correlated at the job site, for information that pertains solely to the fabrication processes or to techniques of construction and installation and for coordination of the work of all subcontractors.</small>	

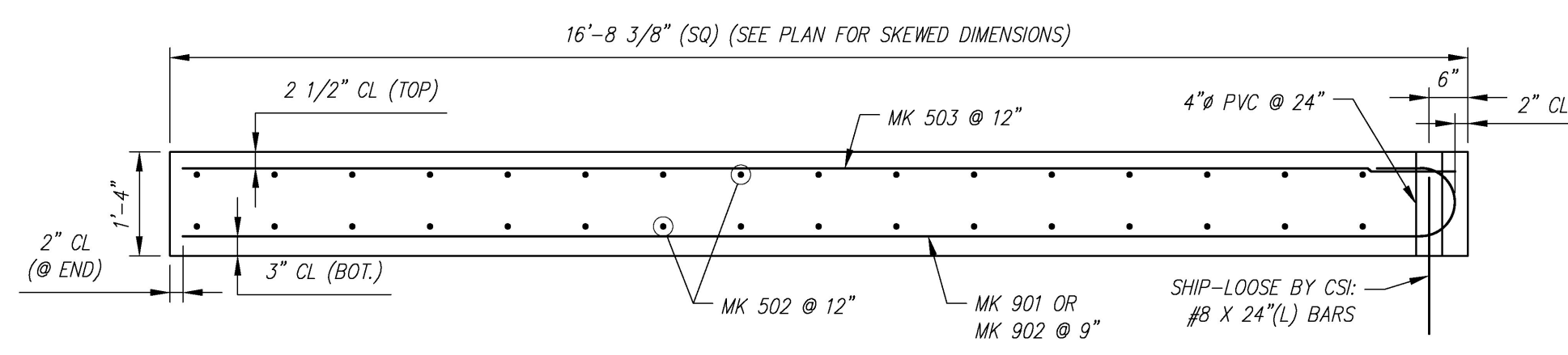


BENDING SCHEDULE
 SCALE: 1/4" = 1'-0"

CSI ID#	DESCRIPTION	QTY	U/M	COMMENTS
EM-00034	4" FOAM CORE PVC	9.5	FT	
EM-00039	SPREAD ANCHORS 8T GALV	4	EA	
RM-00016	REBAR #5 EPOXY-GR 60 40'	906	LB	
RM-00090	REBAR #9 EPOXY-GR 60	1286	LB	
MX-FA5000SC30	MX DESIGN - FLY ASH 5000 SELF COMPACTIN	12.18	CY	



SECTION B
 SCALE: 1" = 1'-0"



TYPICAL REINFORCING SECTION A-A
 SCALE: 1/2" = 1'-0"

ALL REBAR TO BE EPOXY COATED

MK	QTY	LENGTH
501 #5	16	7' - 4" MAX
502 #5	32	15' - 1" MAX
503 #5	11	24' - 5.5" MAX
901 #9	11	24' - 10" MAX
902 #9	4	26' - 3.5" MAX

Contractor is to verify that all information shown on drawings has been thoroughly checked, complies with the contract documents and is adequate to meet the field conditions. Some dimensions and details may differ slightly from contract drawings to accommodate the manufacturing or design process. Approval of this drawing indicates that any deviation from the contract documents has been reviewed and found to be acceptable. Production will not commence until receipt of signed, approved shop drawings.

This drawing contains information proprietary to CONCRETE SYSTEMS, INC. This drawing is disclosed with the understanding that it will be retained in confidence and its use limited solely to the purpose for which it is disclosed. It is understood that no reproduction of this drawing is authorized without permission from CONCRETE SYSTEMS, INC. and that it will be returned to CONCRETE SYSTEMS, INC. upon request.

Rev.	Date	DESCRIPTION	By
10			
9			
8			
7			
6			
5			
4			
3			
2			
1			

This drawing is based upon information provided from the following documents and/or sources:
 Engineer: STANTEC CONSULTING SERVICES, INC.
 Project No:
 Drawings: PROJECT PLANS
 Specifications:
 Other Sources:



STATE AGENCY
 VTrans
 Drawn by: A. KOSTENKO
 Reviewed By: A. KOSTENKO
 Date: 04/04/2016

VTAOT PROJ. NO.: BRF 0151(21)
 MILLER CONSTRUCTION, INC.
 ROUTE 106 BRIDGE REPLACEMENT T.H. 61 (KENDALL ROAD)
 WOODSTOCK, VT
 SHOP DRAWING - AS1
 R-S22624-AS1
 SHEET AS1 OF