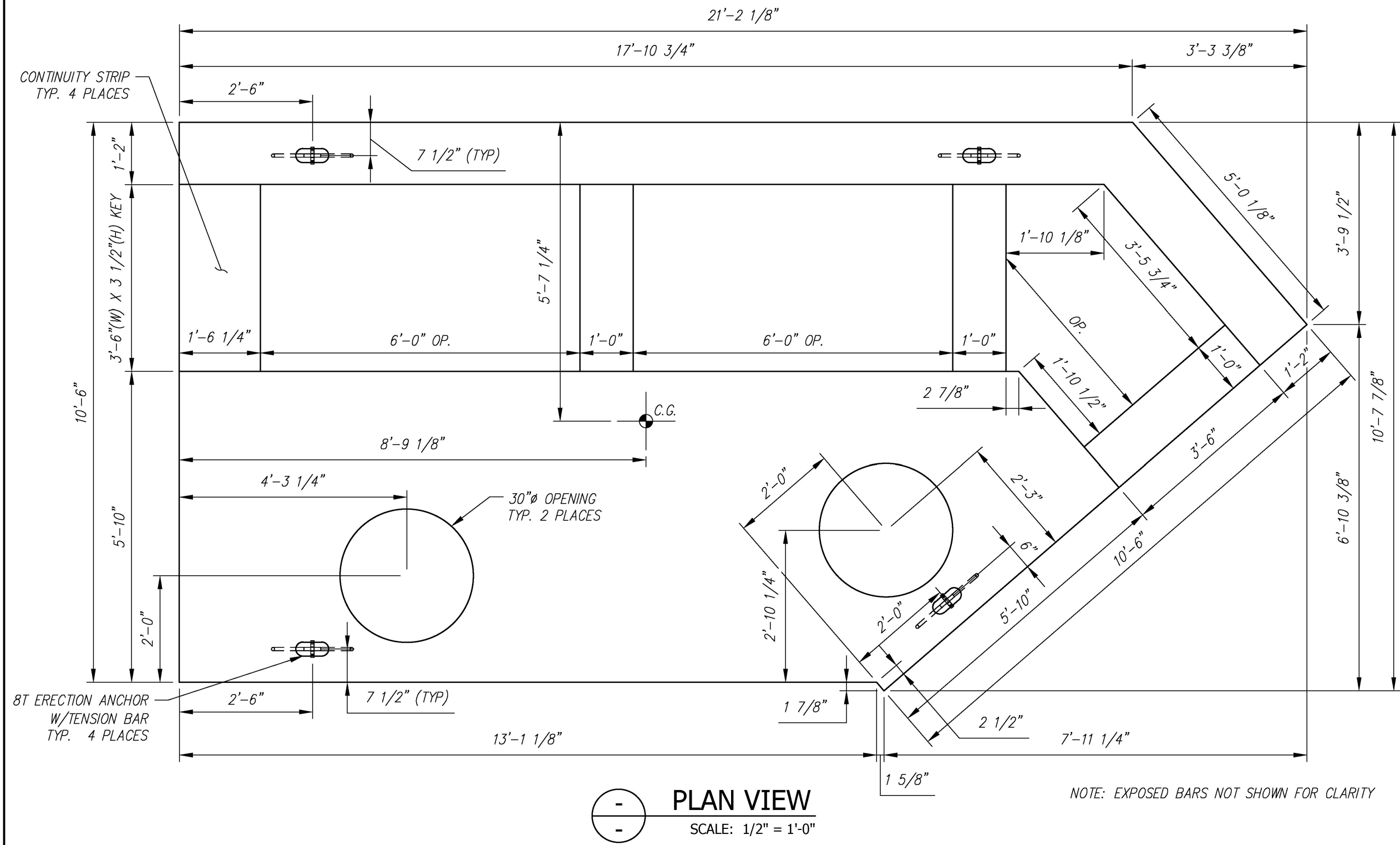
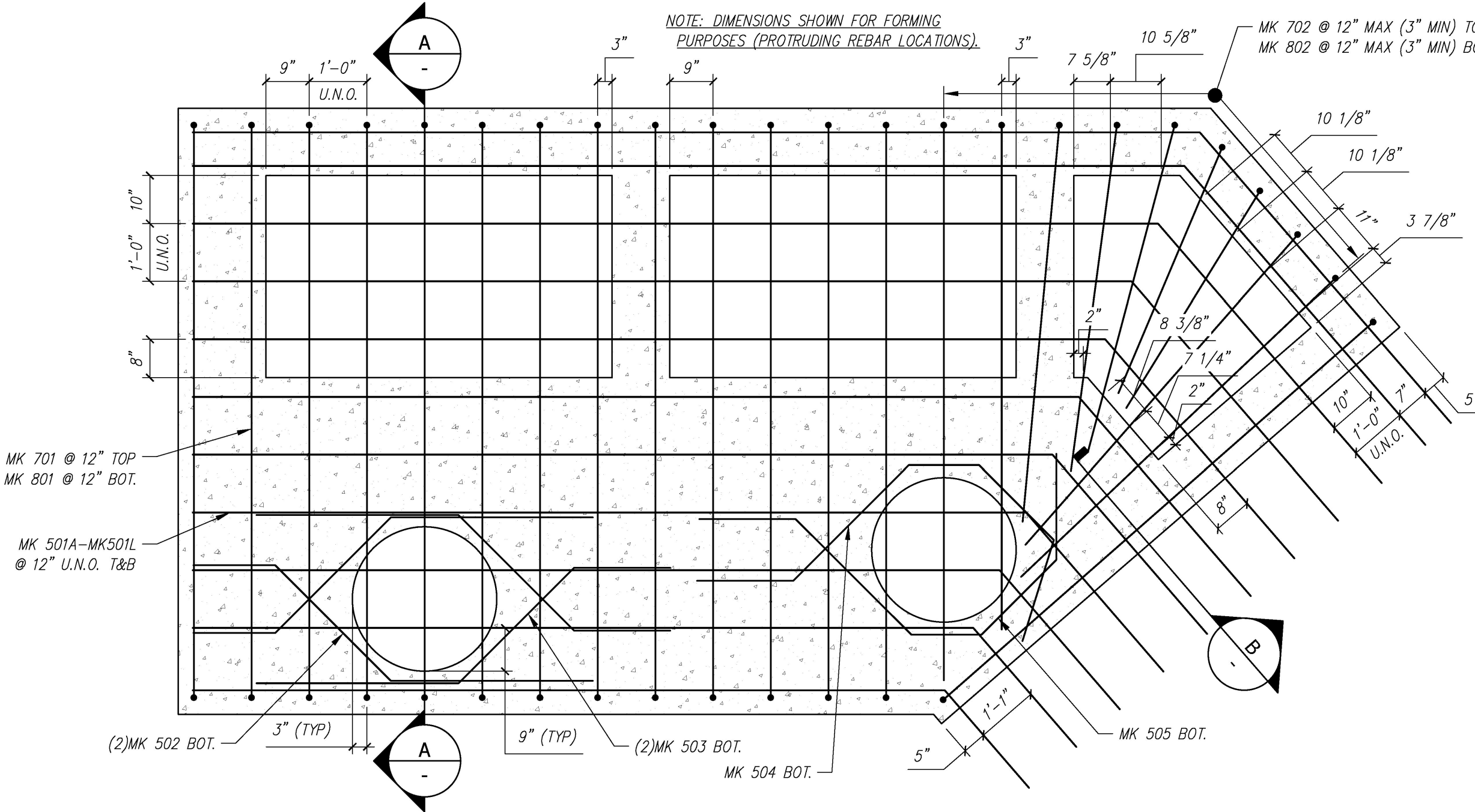


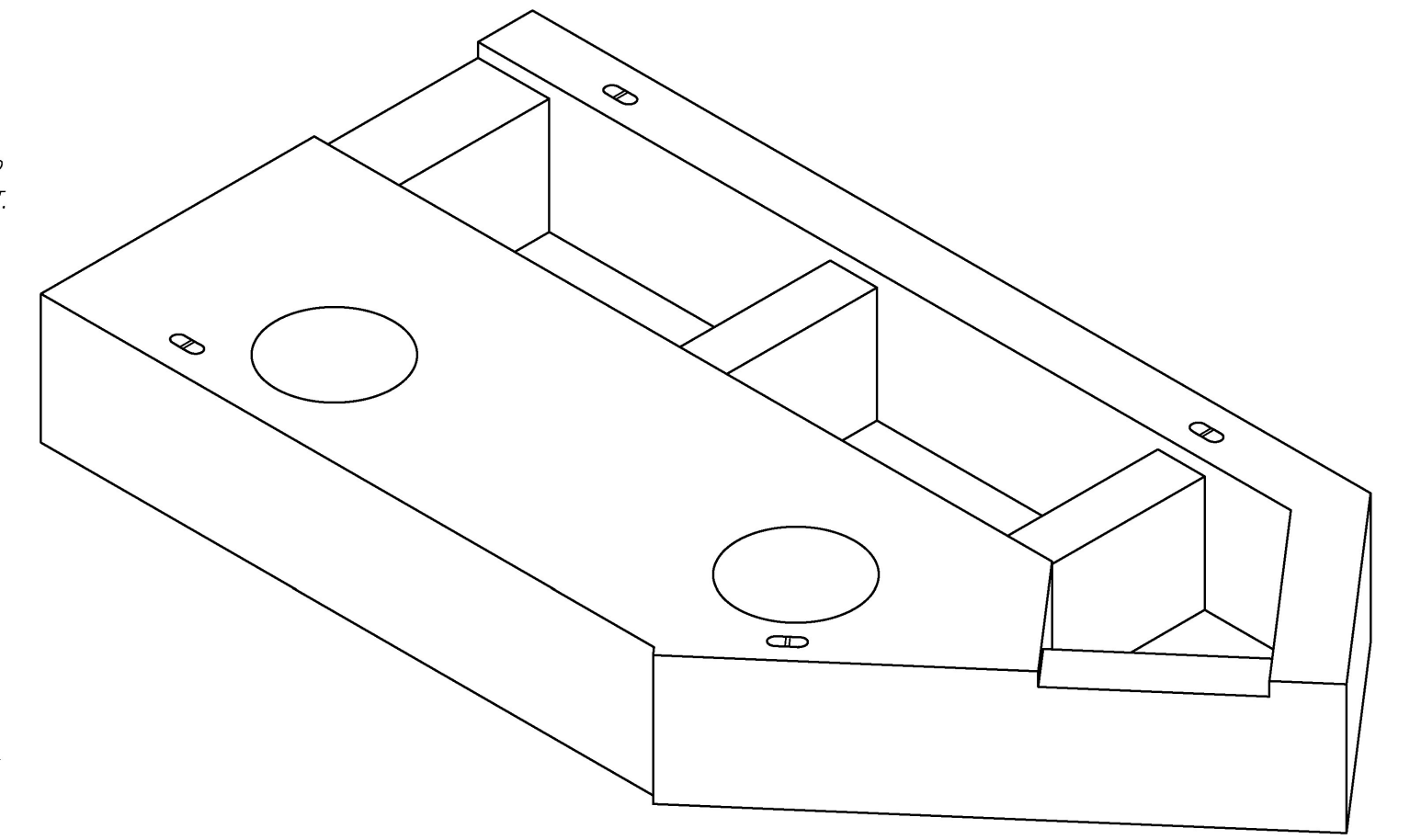
NOTES:  
 1. ALL REINFORCING TO BE LEVEL I, BLACK (UNCOATED).  
 2. COVER TO REINFORCING: SEE DETAILS



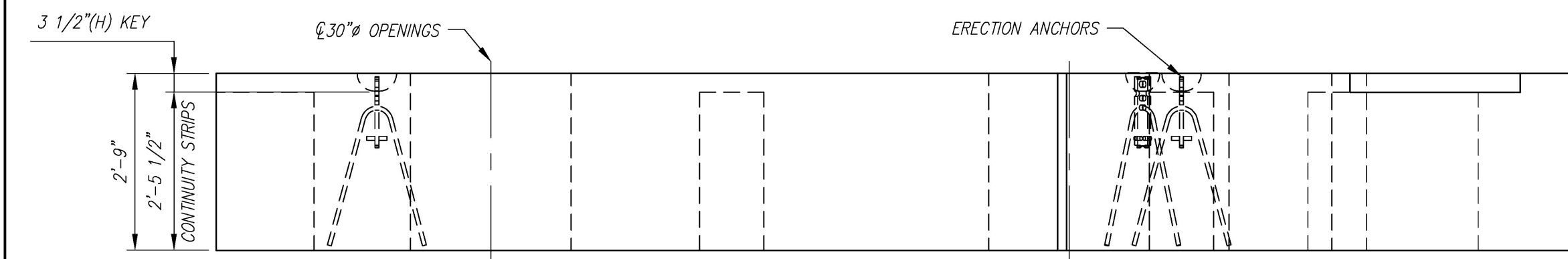
PLAN VIEW  
 SCALE: 1/2" = 1'-0"



REINFORCING PLAN  
 SCALE: 1/2" = 1'-0"



NOTE: EXPOSED BARS NOT SHOWN FOR CLARITY



FRONT ELEVATION  
 SCALE: 1/2" = 1'-0"

NOTE: EXPOSED BARS NOT SHOWN FOR CLARITY

|                            |                       |
|----------------------------|-----------------------|
| REVIEWED:                  | X                     |
| REVIEWED, REVISIONS NOTED: |                       |
| REVISE AND RESUBMIT:       |                       |
| NOT REVIEWED:              |                       |
| Date:                      | 4/27/16               |
| Signature:                 | <i>John E. Koster</i> |

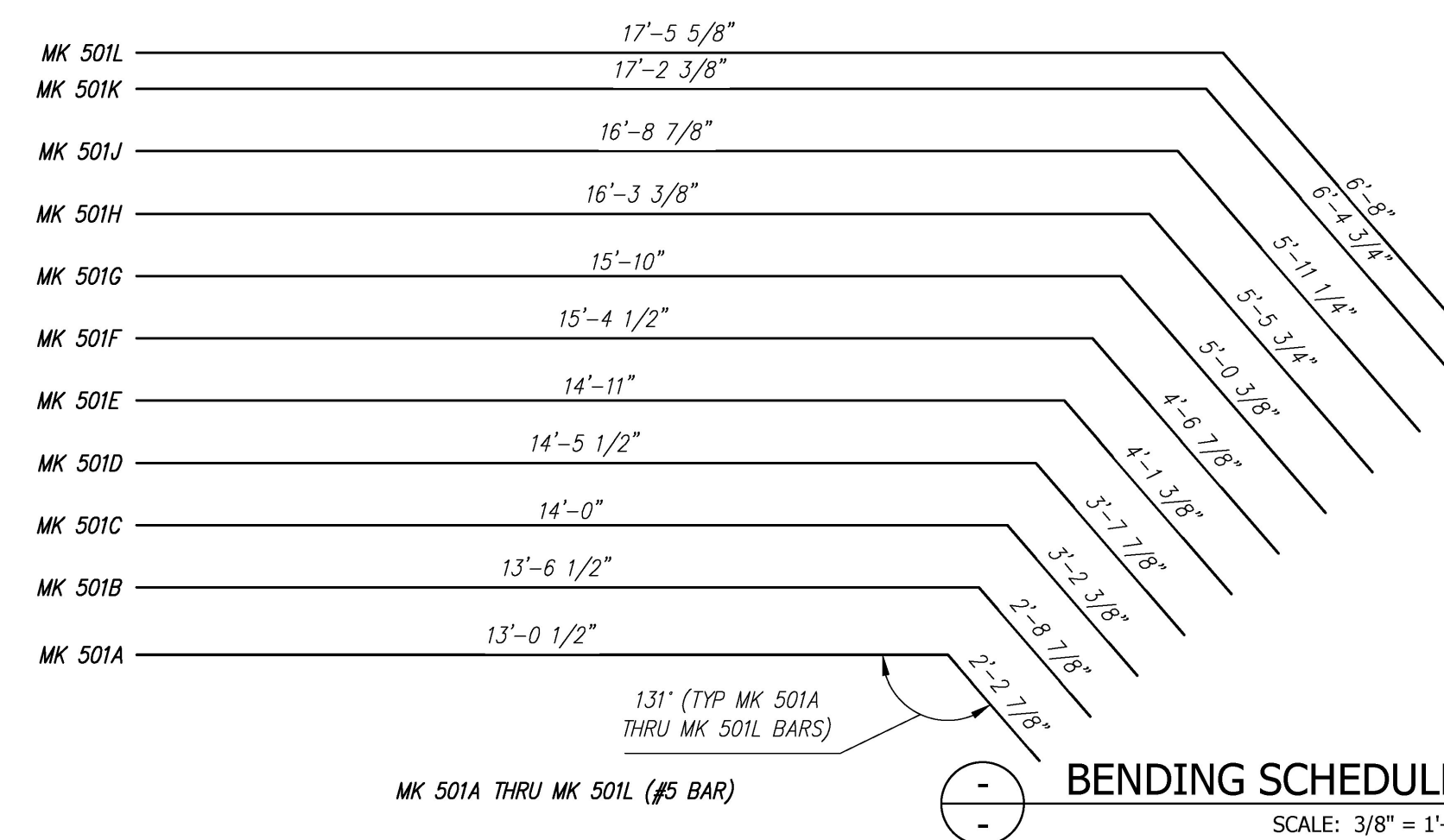
This review by Stantec Consulting Services Inc. is for the sole purpose of ascertaining conformance with the general design concept. This review shall not mean that Stantec Consulting Services Inc. approves the detail design inherent in the shop drawings, responsibility for which shall remain with the Contractor. Submitting same, and such review shall not relieve the Contractor of his responsibility for errors or omissions in the shop drawing or of his responsibility for meeting all requirements of the Contract Documents. The contractor is responsible for dimensions to be confirmed and correlated at the job site, for information that pertains solely to the fabrication processes or to techniques of construction and installation and for coordination of the work of all subtrades.



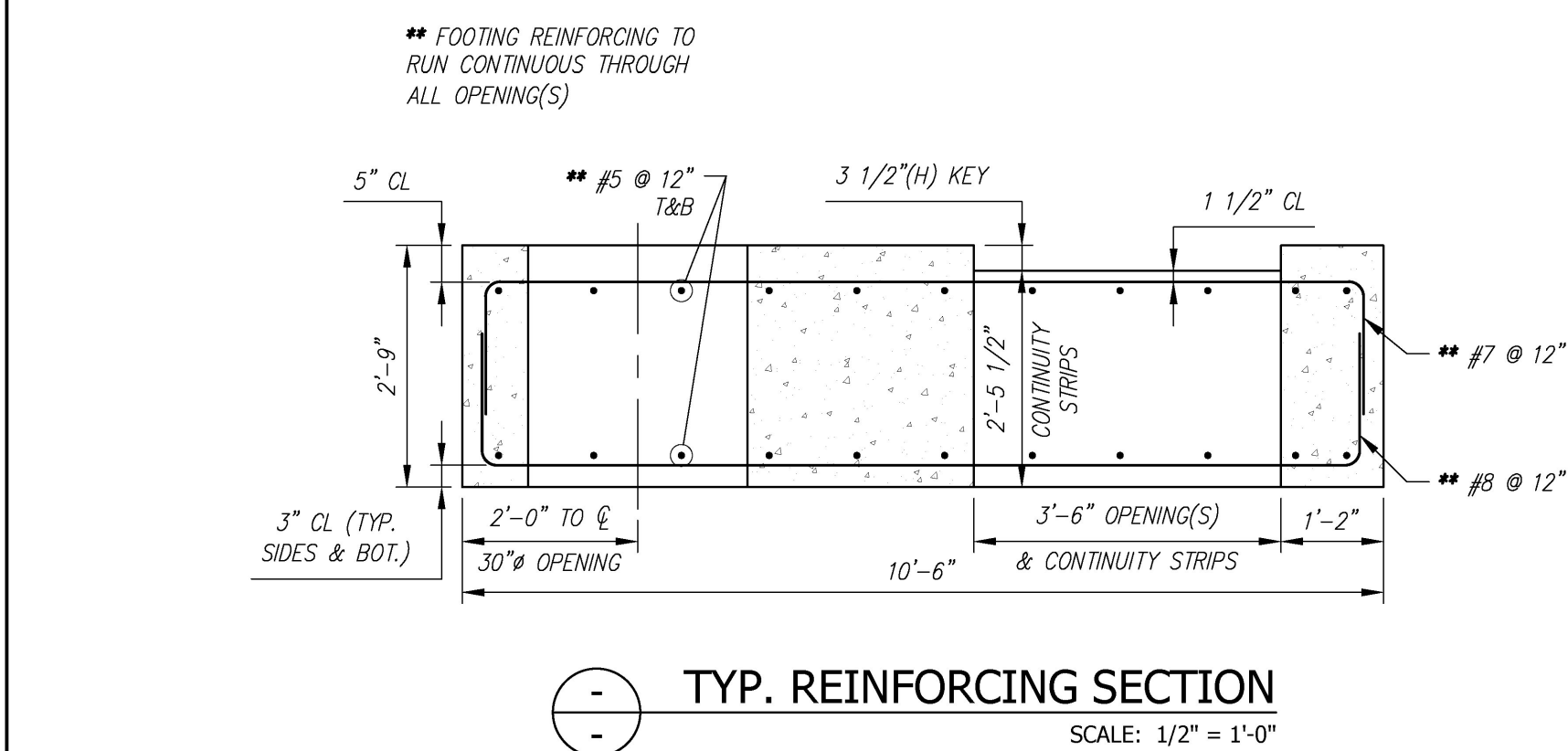
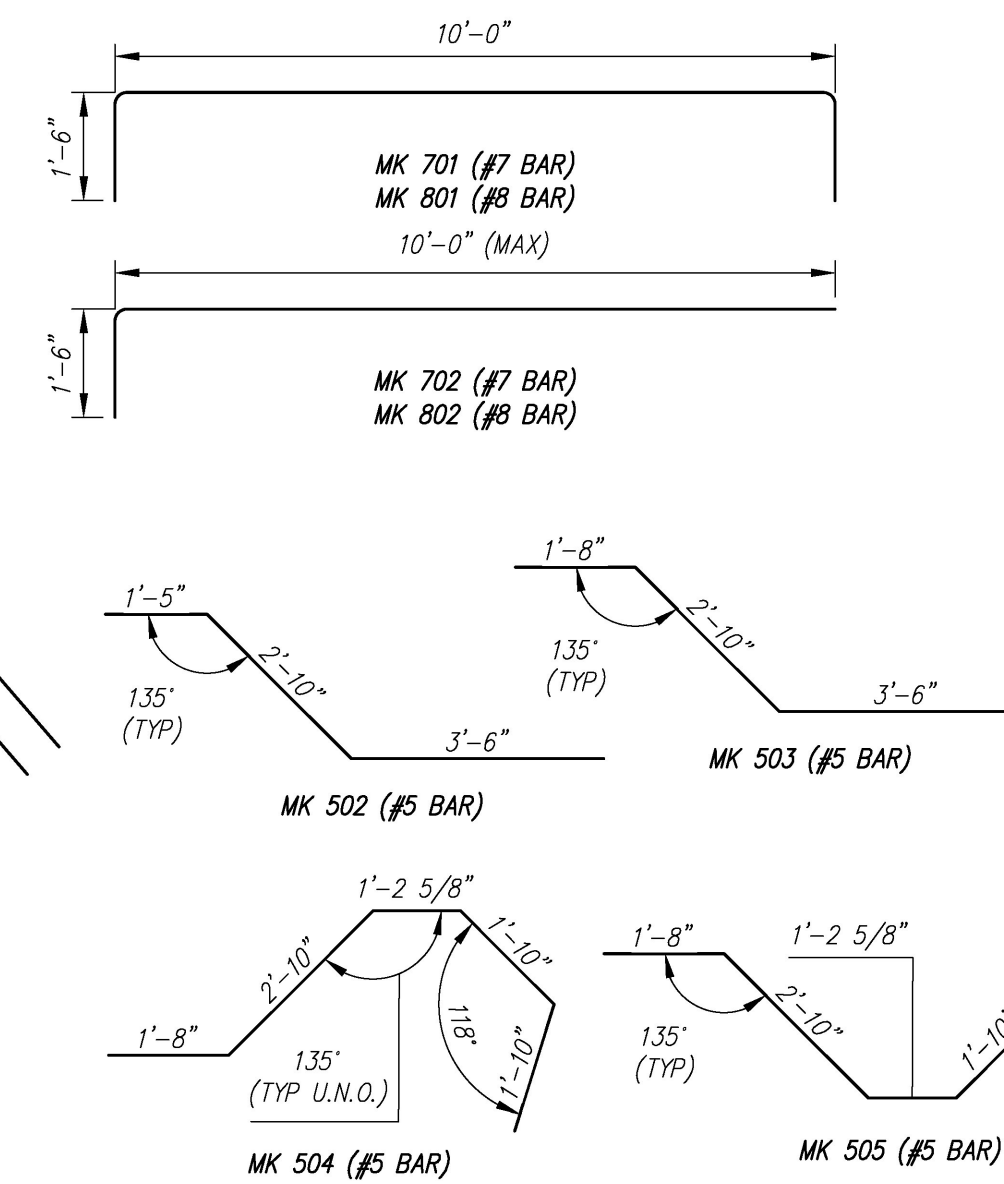
| F8 - BILL OF MATERIALS / EMBEDS |  |       |                  |
|---------------------------------|--|-------|------------------|
| CSI ID#                         | DESCRIPTION                              | QTY   | UM COMMENTS      |
| EM-00122                        | 8TON ERECTION ANCHOR GALV QL049G         | 4     | EA W/TENSION BAR |
| RM-00015                        | REBAR #5 BLACK-GR 60                     | 509   | LB               |
| RM-00009                        | REBAR #7 BLACK-GR 60                     | 584   | LB               |
| RM-00104                        | REBAR #8 BLACK GR 60                     | 762   | LB               |
| MK-FA5000SC30                   | MIX DESIGN - FLY ASH 5000 SELF COMPACTIN | 12.59 | CY               |

Vermont Agency of Transportation  
**RECEIVED**  
 ON: April 27, 2016  
 and Checked for  
**CONFORMANCE**  
 BY: Rob Young DATE: 04/28/2016

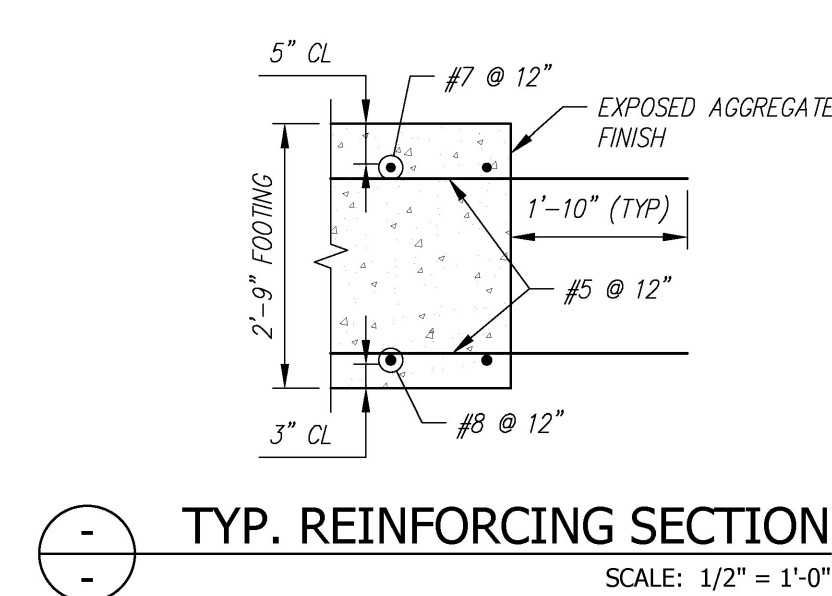
| F8 Rebar Schedule |     |              |
|-------------------|-----|--------------|
| MK                | QTY | LENGTH       |
| 501A #5           | 2   | 15' - 3.5"   |
| 501B #5           | 2   | 16' - 3.5"   |
| 501C #5           | 2   | 17' - 2.5"   |
| 501D #5           | 2   | 18' - 1"     |
| 501E #5           | 2   | 19' - 0"     |
| 501F #5           | 2   | 19' - 11"    |
| 501G #5           | 2   | 20' - 10"    |
| 501H #5           | 2   | 21' - 9"     |
| 501J #5           | 2   | 22' - 8"     |
| 501K #5           | 2   | 23' - 7"     |
| 501L #5           | 2   | 24' - 1.5"   |
| 502 #5            | 2   | 7' - 9"      |
| 503 #5            | 2   | 8' - 0"      |
| 504 #5            | 1   | 9' - 4.5"    |
| 505 #5            | 1   | 9' - 4.5"    |
| 701 #7            | 14  | 13' - 0"     |
| 702 #7            | 9   | 11' - 6" MAX |
| 801 #8            | 14  | 13' - 0"     |
| 802 #8            | 9   | 11' - 6" MAX |



BENDING SCHEDULE  
 SCALE: 3/8" = 1'-0"



TYP. REINFORCING SECTION  
 SCALE: 1/2" = 1'-0"



TYP. REINFORCING SECTION  
 SCALE: 1/2" = 1'-0"

Contractor is to verify that all information shown on drawings has been thoroughly checked, complies with the contract documents and is adequate to meet the field conditions. Some dimensions and details may differ slightly from contract drawings to accommodate the manufacturing or design process. Approval of this drawing indicates that any deviation from the contract documents has been reviewed and found to be acceptable. Production will not commence until receipt of signed, approved shop drawings.

This drawing contains information proprietary to CONCRETE SYSTEMS, INC. This drawing is disclosed with the understanding that it will be retained in confidence and its use limited solely to the purpose for which it is disclosed. It is understood that no reproduction of this drawing is authorized without permission from CONCRETE SYSTEMS, INC. and that it will be returned to CONCRETE SYSTEMS, INC. upon request.

| Rev. | Date       | DESCRIPTION                                  | By |
|------|------------|--|----|
| 10   |            |  |    |
| 9    |            |  |    |
| 8    |            |  |    |
| 7    |            |  |    |
| 6    |            |  |    |
| 5    |            |  |    |
| 4    |            |  |    |
| 3    |            |  |    |
| 2    |            |  |    |
| 1    | 04/15/2016 | ADDED NOTES/DIMENSIONS TO "REINFORCING PLAN" | AK |
| Rev. | Date       | DESCRIPTION                                  | By |
|      |            | REVISIONS                                    |    |

This drawing is based upon information provided from the following documents and/or sources:  
 Engineer: STANTEC CONSULTING SERVICES, INC.  
 Project No:  
 Drawings: PROJECT PLANS  
 Specifications:  
 Other Sources:

Concrete Systems Inc.  
 9 Commercial St., Hudson, NH, 03051  
 Phone 603-889-4163  
 Fax 603-889-2417

STATE AGENCY  
 VTrans  
 Drawn by: A. KOSTENKO  
 Reviewed by: Date: 04/04/2016  
 Approved by: Date:

PIECE QUANTITY: 1 EACH  
 WEIGHT: 25.49 TONS

VTAOT PROJ. NO.: BRF 0151(21)

MILLER CONSTRUCTION, INC.  
 ROUTE 106 BRIDGE REPLACEMENT T.H. 61 (KENDALL ROAD)  
 WOODSTOCK, VT

SHOP DRAWING - F8  
 Drawing No. R-S22624-F8  
 Quantity: 1 Project No: SHEET F8 OF 1