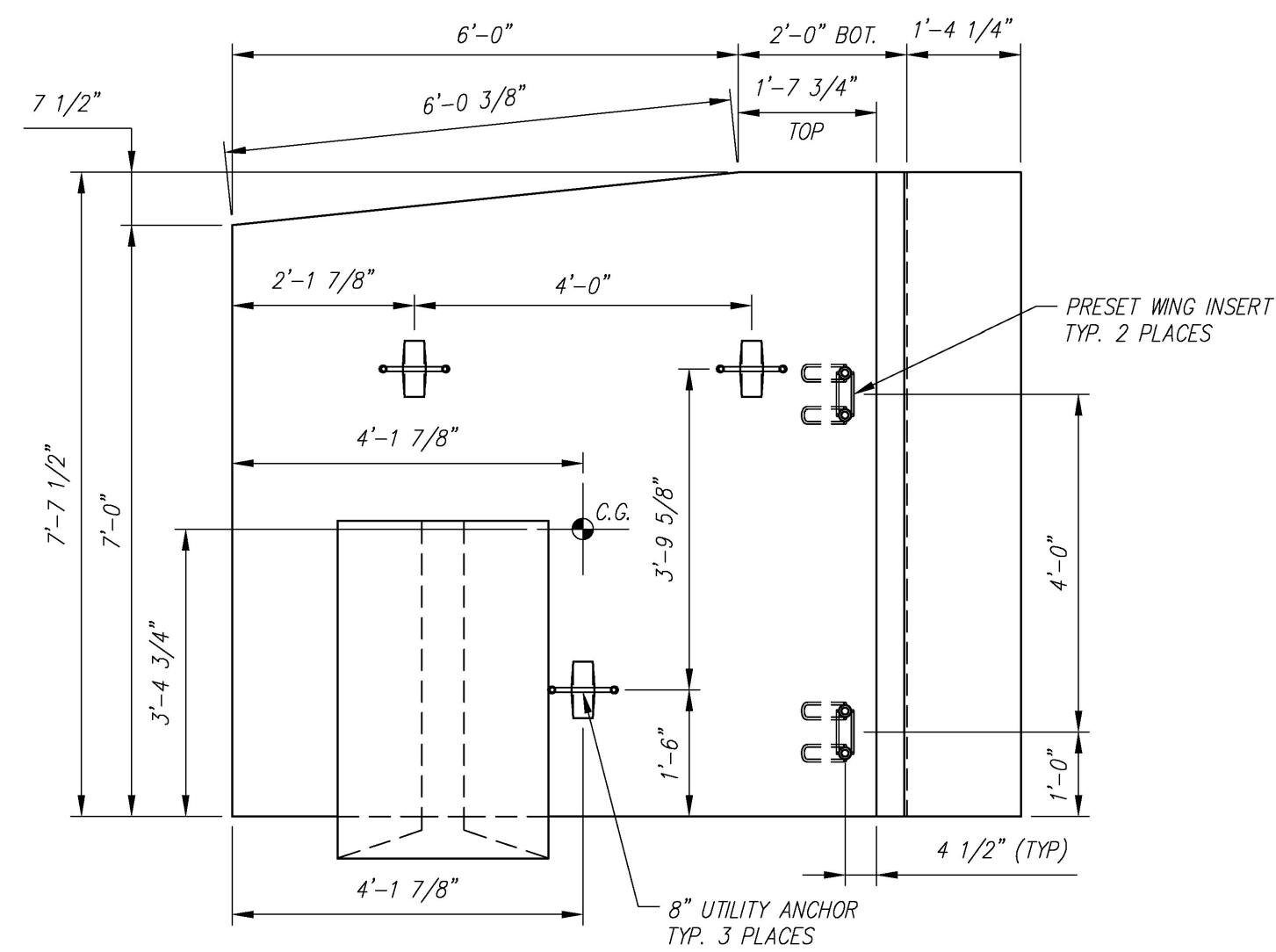
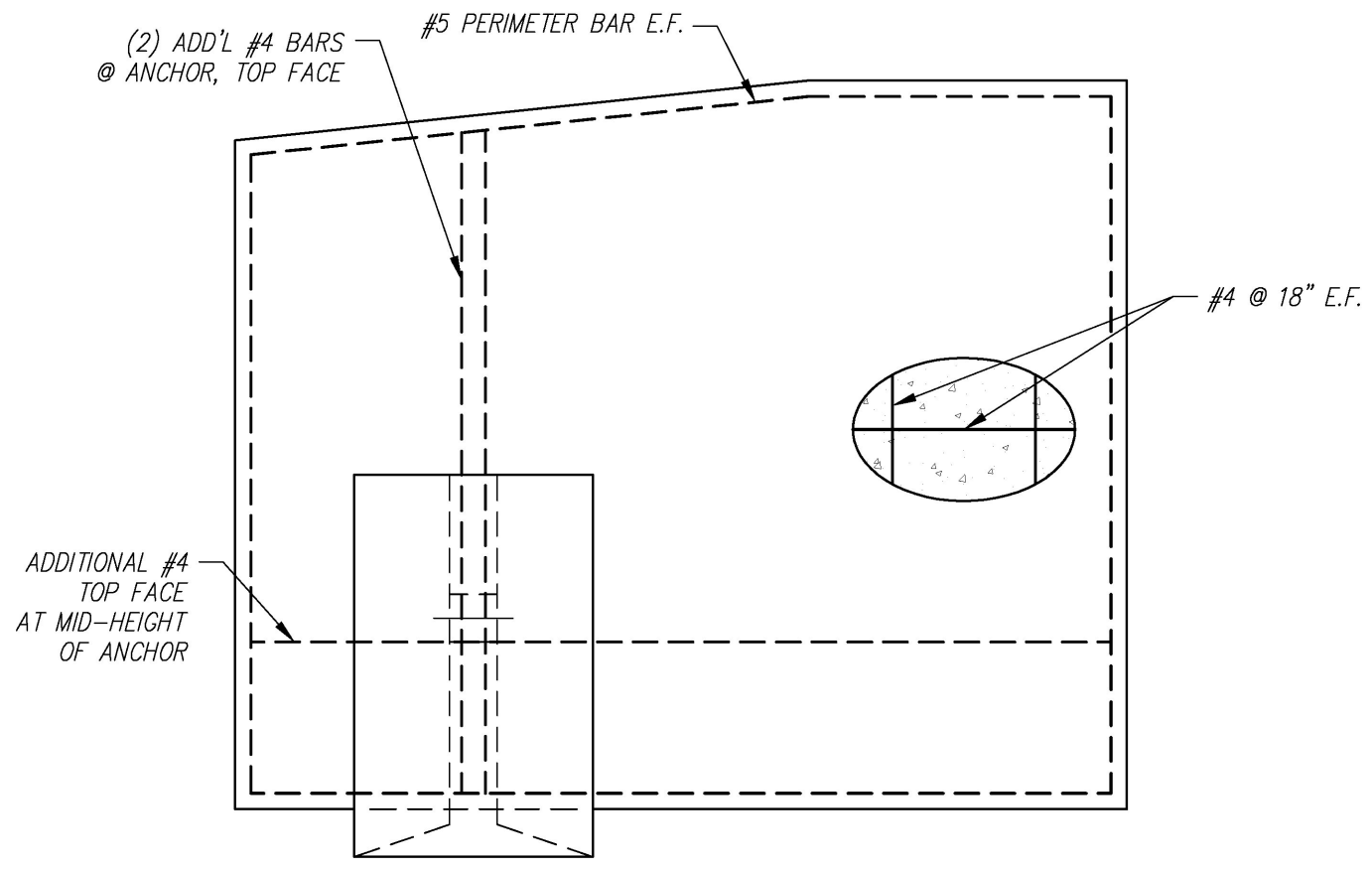


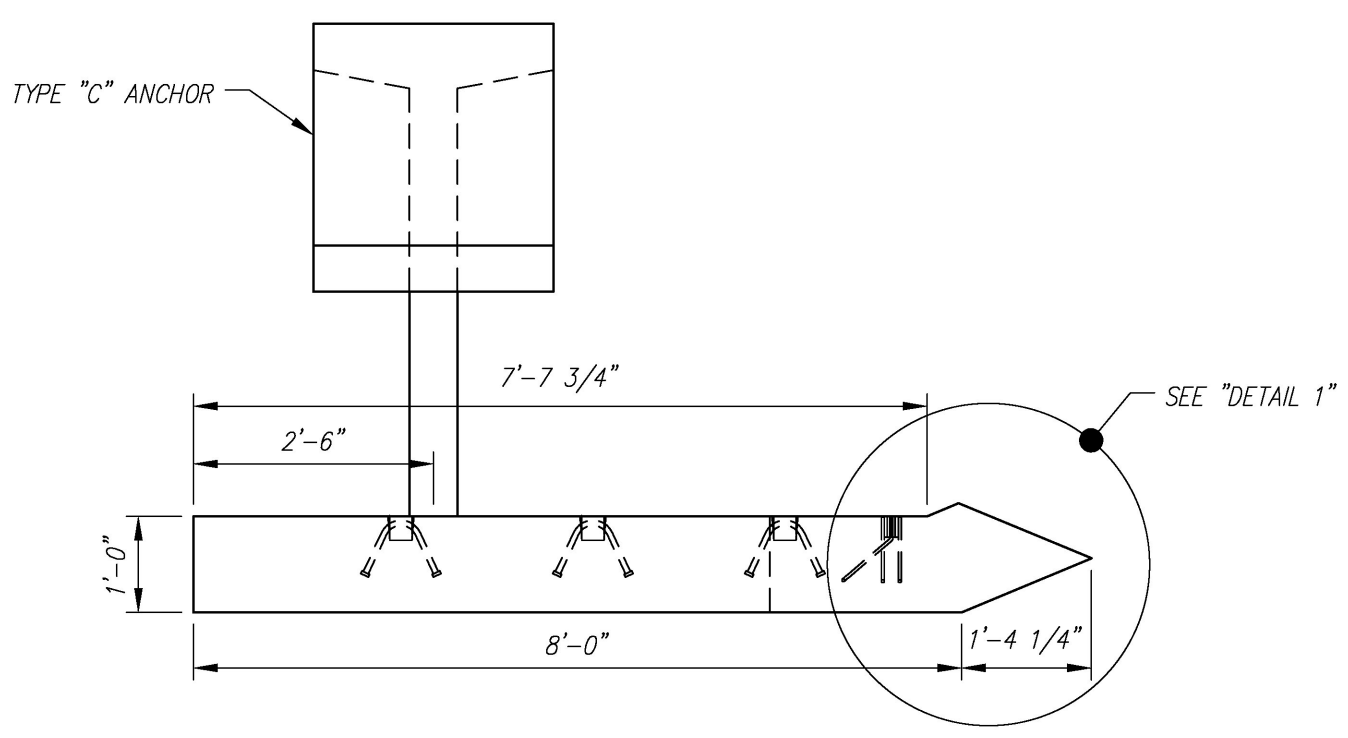
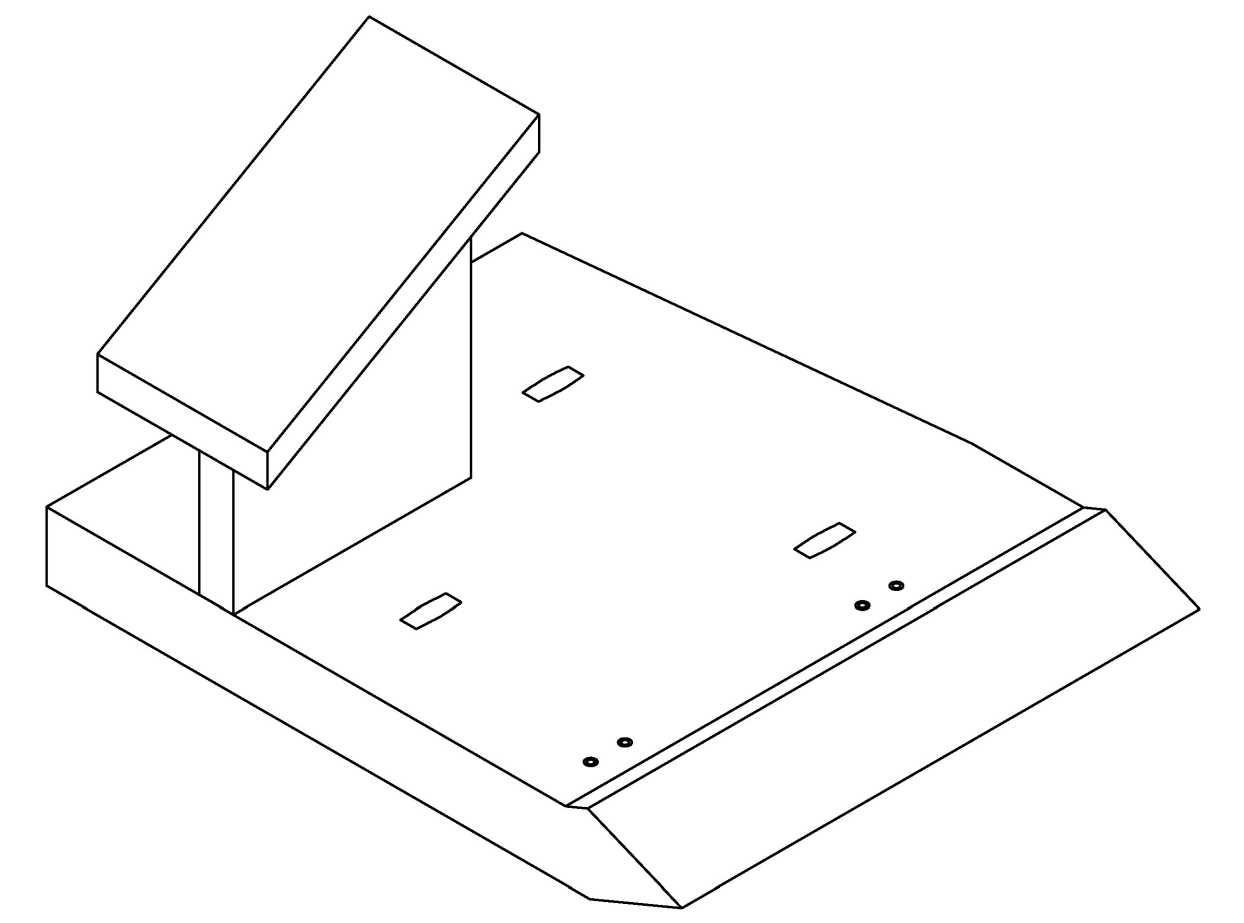
- NOTES:
1. ALL REINFORCING TO BE EPOXY COATED.
  2. ALL EXPOSED EDGES TO BE 1" CHAMFERED.
  3. COVER TO REINFORCING: 2" U.N.O.
  4. WATER REPELLANT COATING TO BE APPLIED ON FRONT, TOP AND 1.5' DOWN BACK FACE.



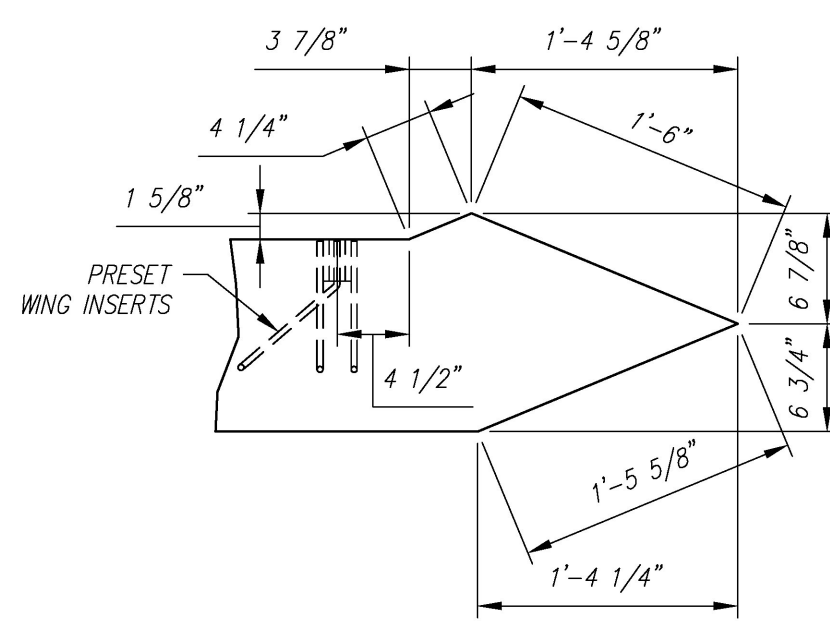
PLAN (CASTING POSITION)  
SCALE: 1/2" = 1'-0"



REINFORCING PLAN  
SCALE: 1/2" = 1'-0"



ELEVATION  
SCALE: 1/2" = 1'-0"



DETAIL  
SCALE: 1" = 1'-0"

REVIEWED:	X
REVIEWED, REVISIONS NOTED:	
REVISE AND RESUBMIT	
NOT REVIEWED	
Date:	4/27/16
Signature:	<i>[Signature]</i>

**Stantec**

Vermont Agency of Transportation  
**RECEIVED**  
 ON: April 27, 2016  
 and Checked for  
**CONFORMANCE**  
 BY: Rob Young DATE: 04/28/2016

WW1 - BILL OF MATERIALS / EMBEDS				
CSI ID#	DESCRIPTION	QTY	UM	COMMENTS
SBO	BRIDGE PLAQUE	1	EA	
DTJ	CERTI-VEX PENSEAL 244 WATER REPELLANT	0.5	GA	
CSANC-C	CON/SPAN WINGWALL ANCHOR "C"	1	EA	
EM-0005	1" X 8" PRESET WING INSERTS	2	EA	
EM-0015	UTILITY ANCHOR #8UA671-GALVANIZED	3	EA	
RM-00014	REBAR #4 EPOXY- GR 60 40'	134	LB	
RM-00016	REBAR #5 EPOXY- GR 60 40'	67	LB	
MX-FA5000SC30	MIX DESIGN - FLY ASH 5000 SELF COMPACTIN	2.41	CY	

PIECE QUANTITY: 1 EACH  
 WEIGHT: 5.78 TONS

Contractor is to verify that all information shown on drawings has been thoroughly checked, complies with the contract documents and is adequate to meet the field conditions. Some dimensions and details may differ slightly from contract drawings to accommodate the manufacturing or design process. Approval of this drawing indicates that any deviation from the contract documents has been reviewed and found to be acceptable. Production will not commence until receipt of signed, approved shop drawings.

This drawing contains information proprietary to CONCRETE SYSTEMS, INC. This drawing is disclosed with the understanding that it will be retained in confidence and its use limited solely to the purpose for which it is disclosed. It is understood that no reproduction of this drawing is authorized without permission from CONCRETE SYSTEMS, INC. and that it will be returned to CONCRETE SYSTEMS, INC. upon request.

Rev.	Date	DESCRIPTION	By
10			
9			
8			
7			
6			
5			
4			
3			
2			
1			

This drawing is based upon information provided from the following documents and/or sources:

Engineer: STANTEC CONSULTING SERVICES, INC.  
 Project No:  
 Drawings: PROJECT PLANS

Specifications:  
 Other Sources:

**CSI**  
 Concrete Systems Inc.  
 9 Commercial St., Hudson, NH, 03051  
 Phone 603-889-4163  
 Fax 603-889-2417

STATE AGENCY  
**VTrans**  
 Working to Get You There  
 Drawn by: A. KOSTENKO  
 Reviewed By:  
 Date: 04/04/2016

VTAOT PROJ. NO.: BRF 0151(21)

MILLER CONSTRUCTION, INC.  
 ROUTE 106 BRIDGE REPLACEMENT T.H. 61 (KENDALL ROAD)  
 WOODSTOCK, VT

SHOP DRAWING - WW1  
 R-S22624-WW1

Quantity: 1 Project No: SHEET WW1 OF