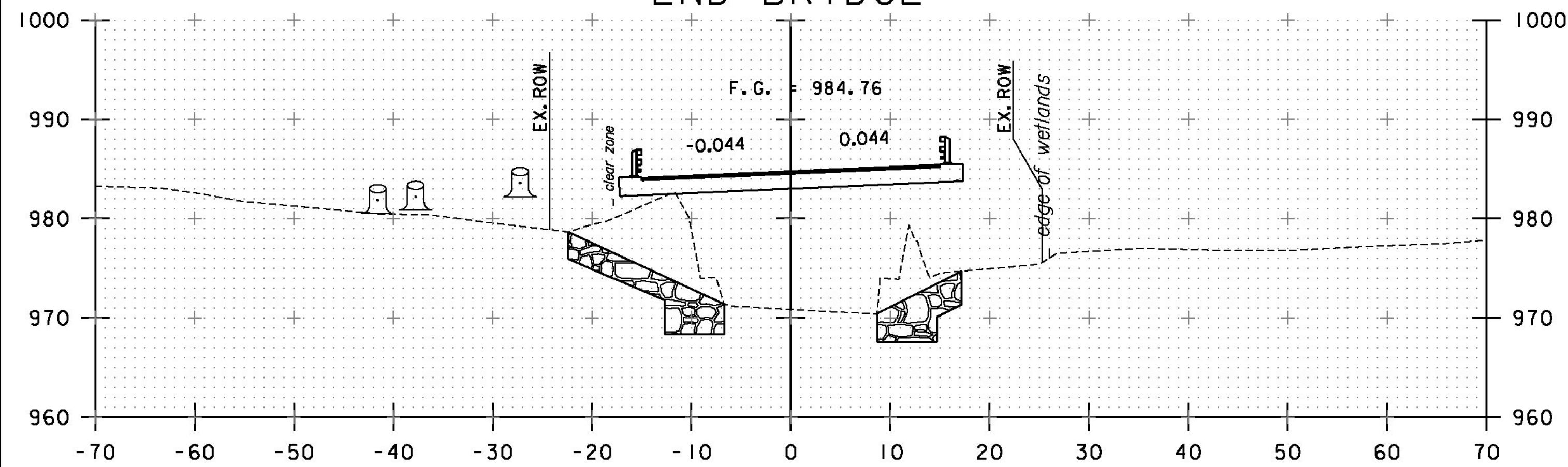
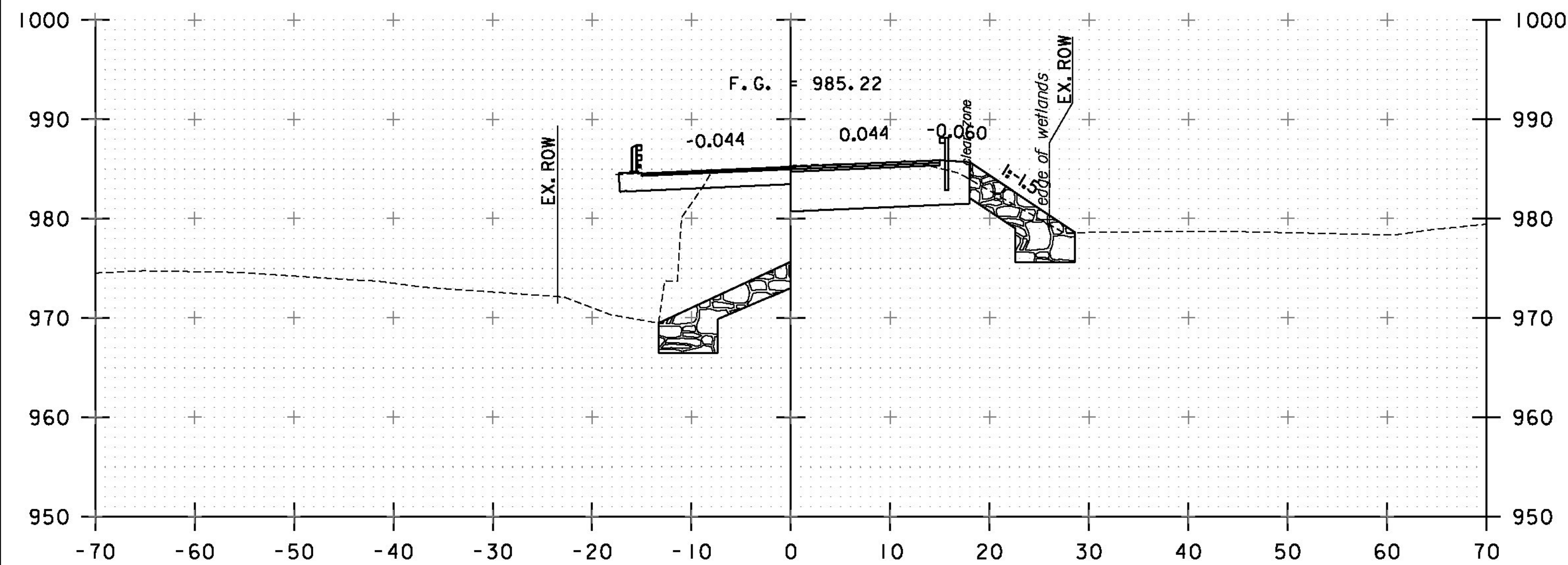


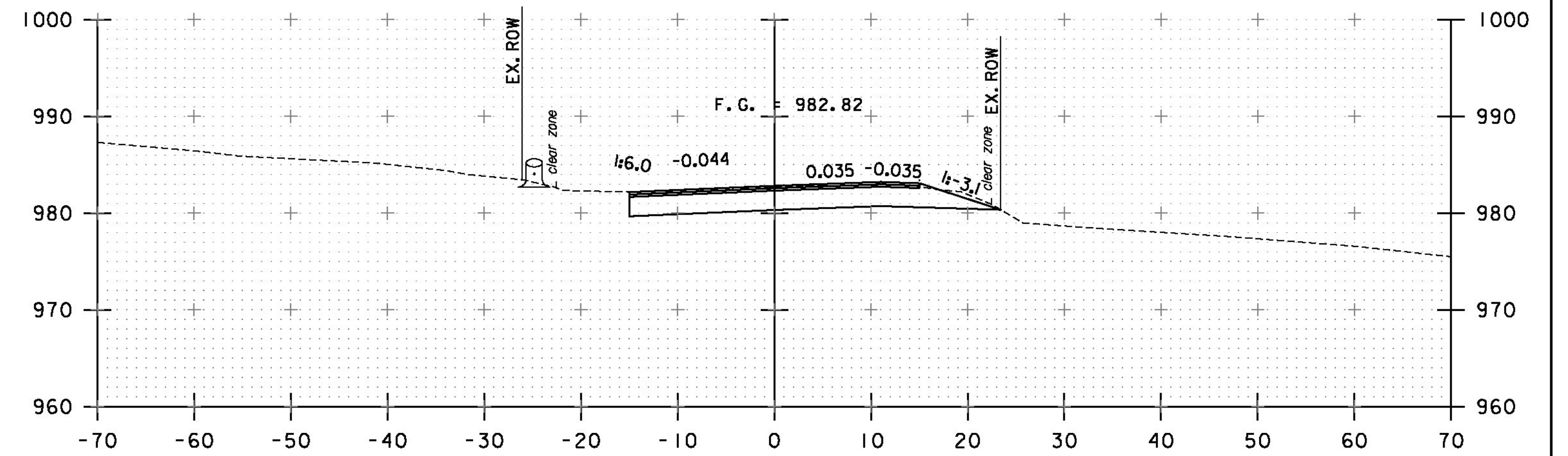
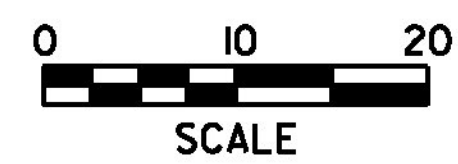
4+25
4+18.80
END BRIDGE



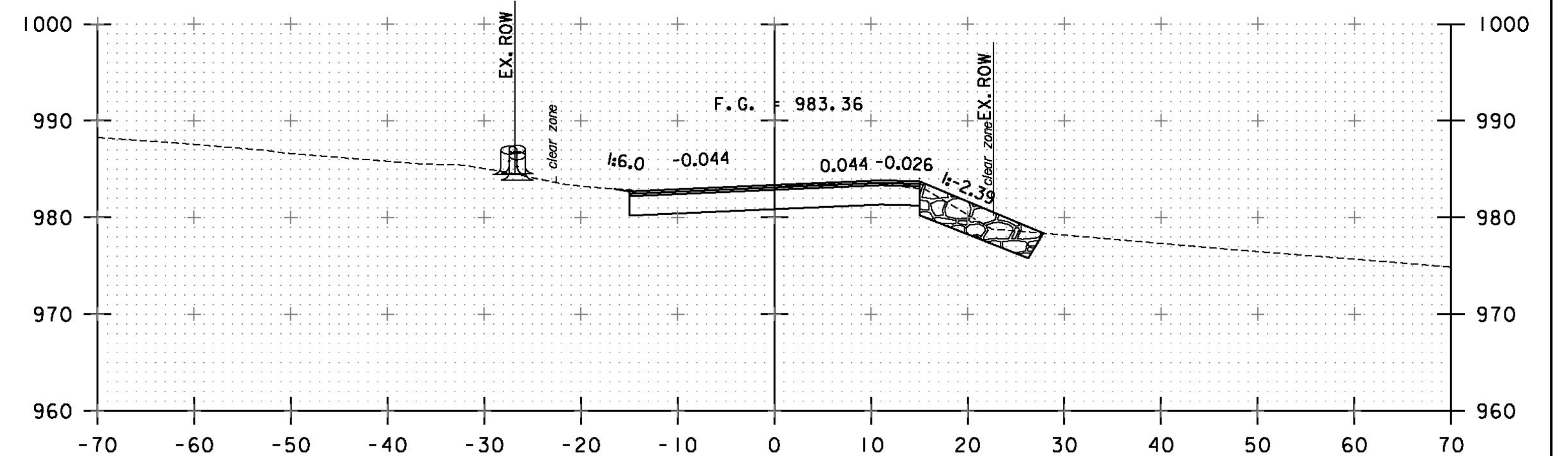
4+00



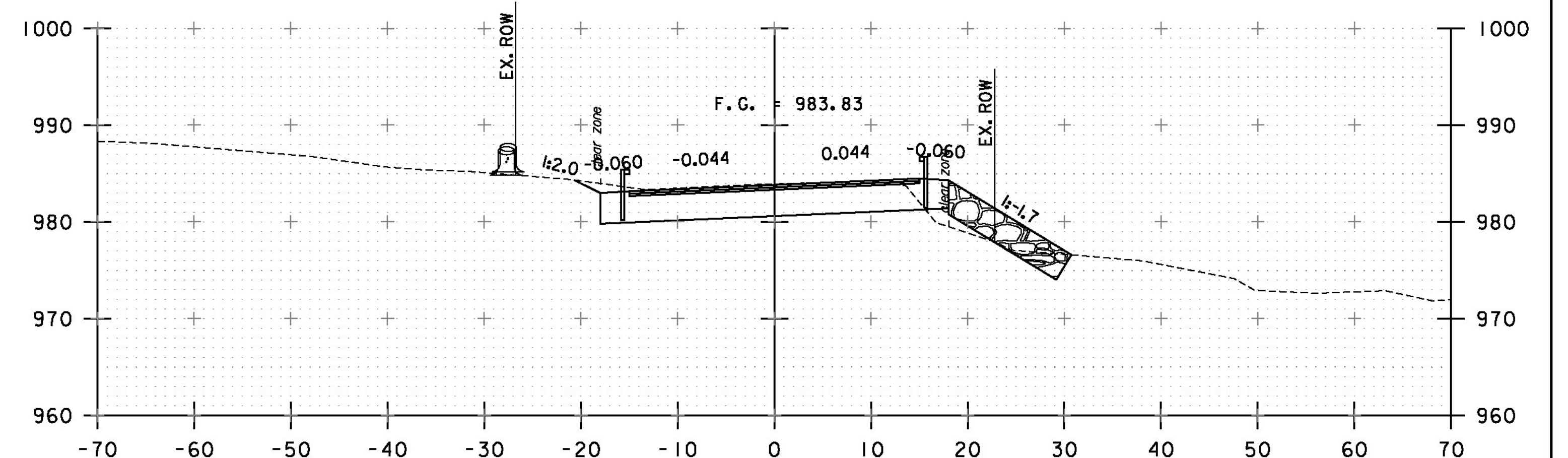
3+75
3+73.53
BEGIN BRIDGE



5+00



4+75



4+50

STA. 3+75 TO STA. 5+00

PROJECT NAME:	WOODSTOCK
PROJECT NUMBER:	BRF 015(21)
FILE NAME:	z10c426xs.dgn
PROJECT LEADER:	G. BOGUE
DESIGNED BY:	E. ALLING
ROADWAY CROSS SECTIONS - RXS 2	
PLOT DATE:	9/2/2015
DRAWN BY:	E. ALLING
CHECKED BY:	I. MAYNARD
SHEET	35 OF 50

