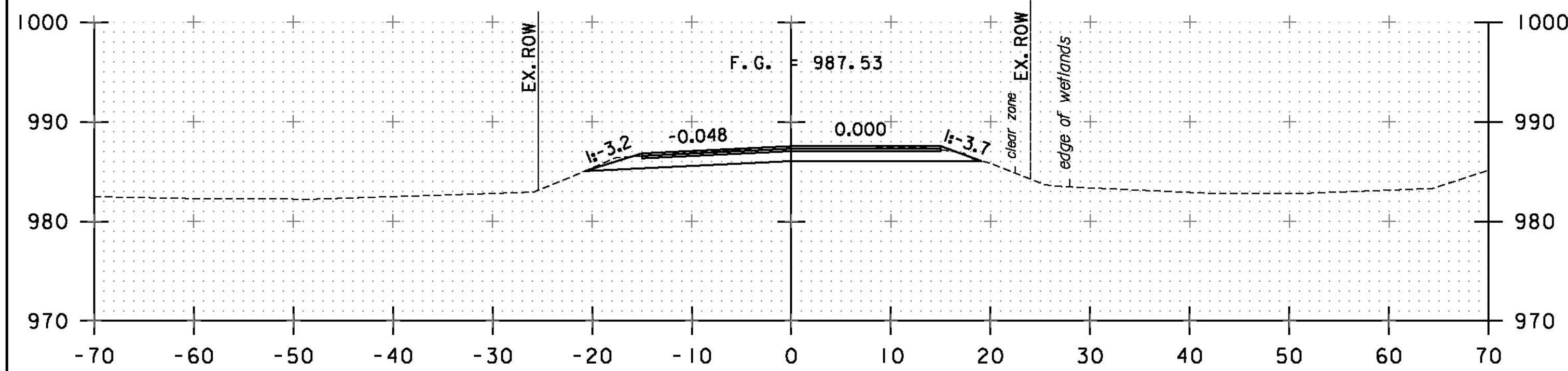
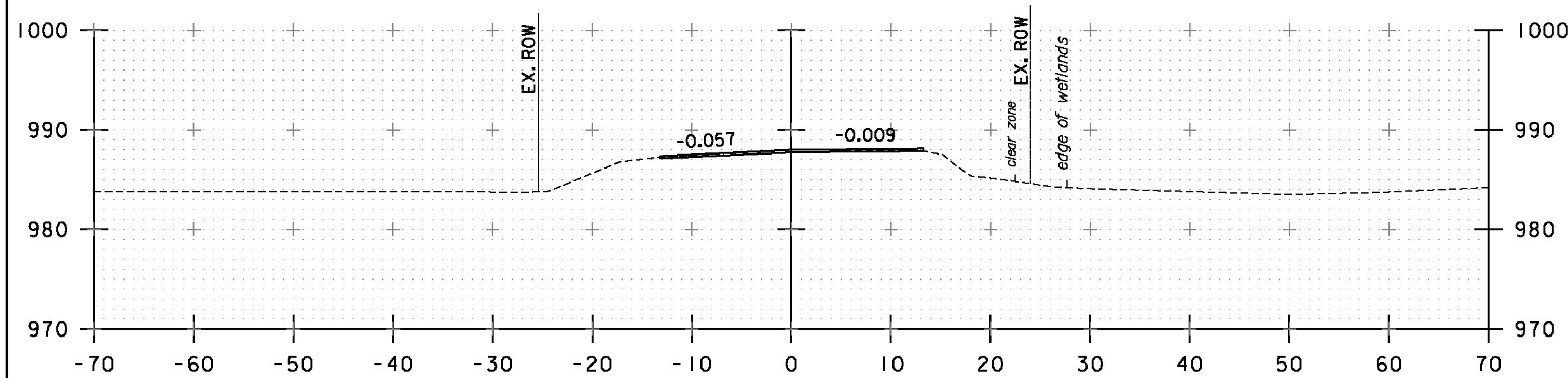


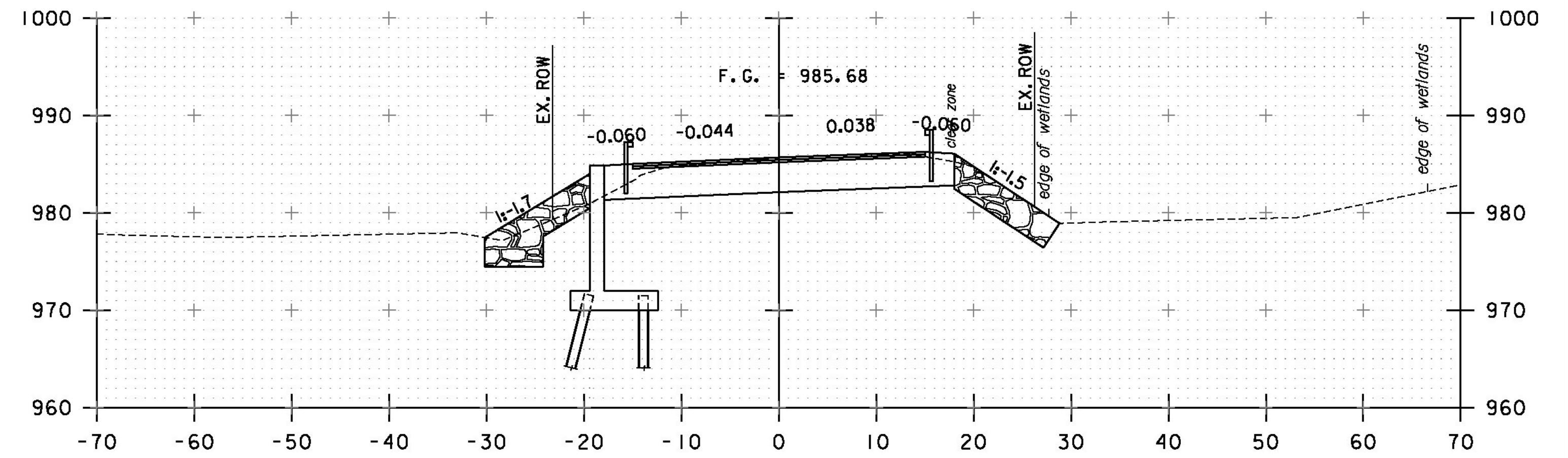
2+75
BEGIN PROJECT



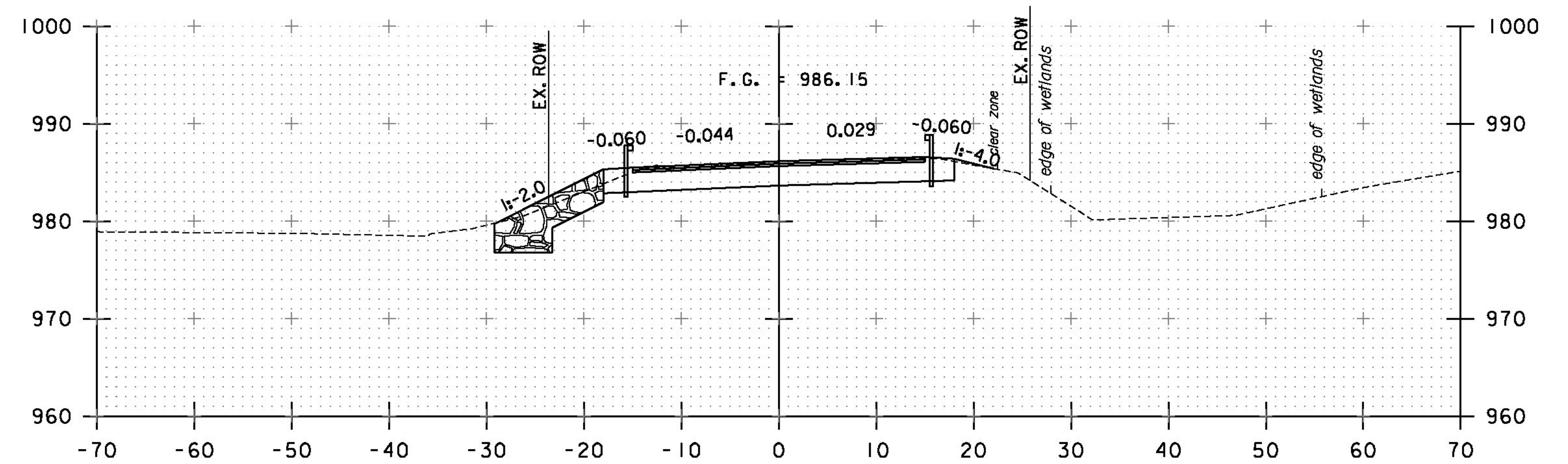
2+50



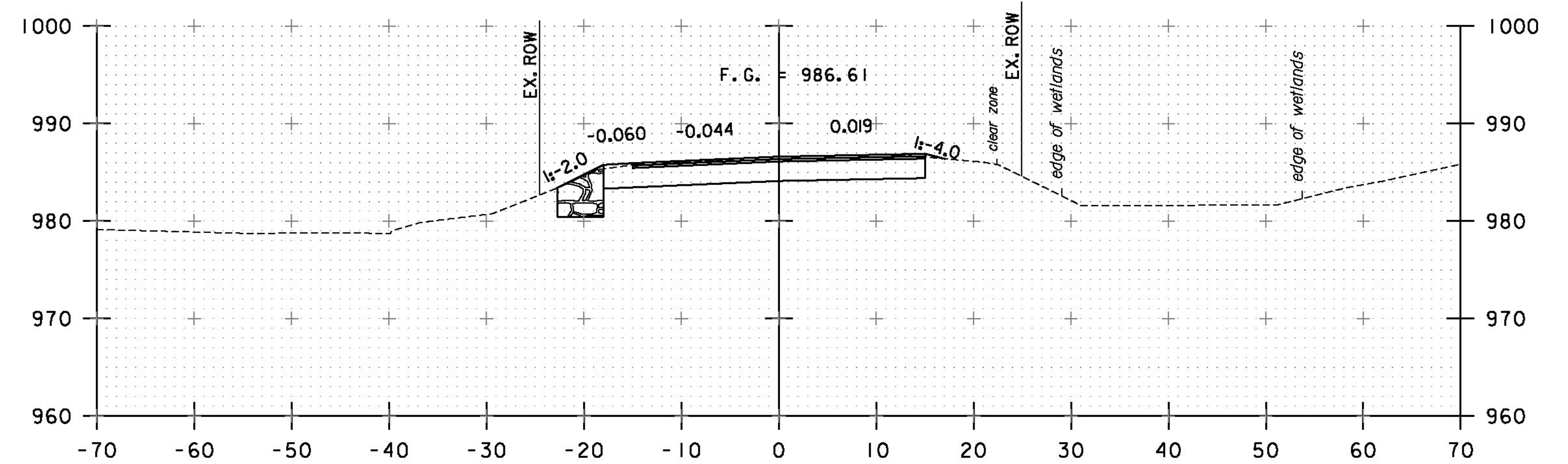
2+25
2+15
BEGIN APPROACH



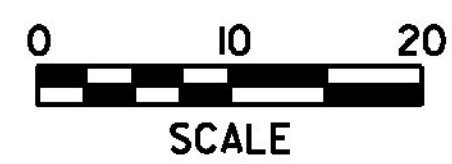
3+50



3+25



3+00



STA. 2+25 TO STA. 3+50



PROJECT NAME:	WOODSTOCK	PLOT DATE:	9/2/2015
PROJECT NUMBER:	BRF 015(21)	DRAWN BY:	E. ALLING
FILE NAME:	z10c426xs.dgn	CHECKED BY:	I. MAYNARD
DESIGNED BY:	E. ALLING		
ROADWAY CROSS SECTIONS - RXS 1			SHEET 34 OF 50